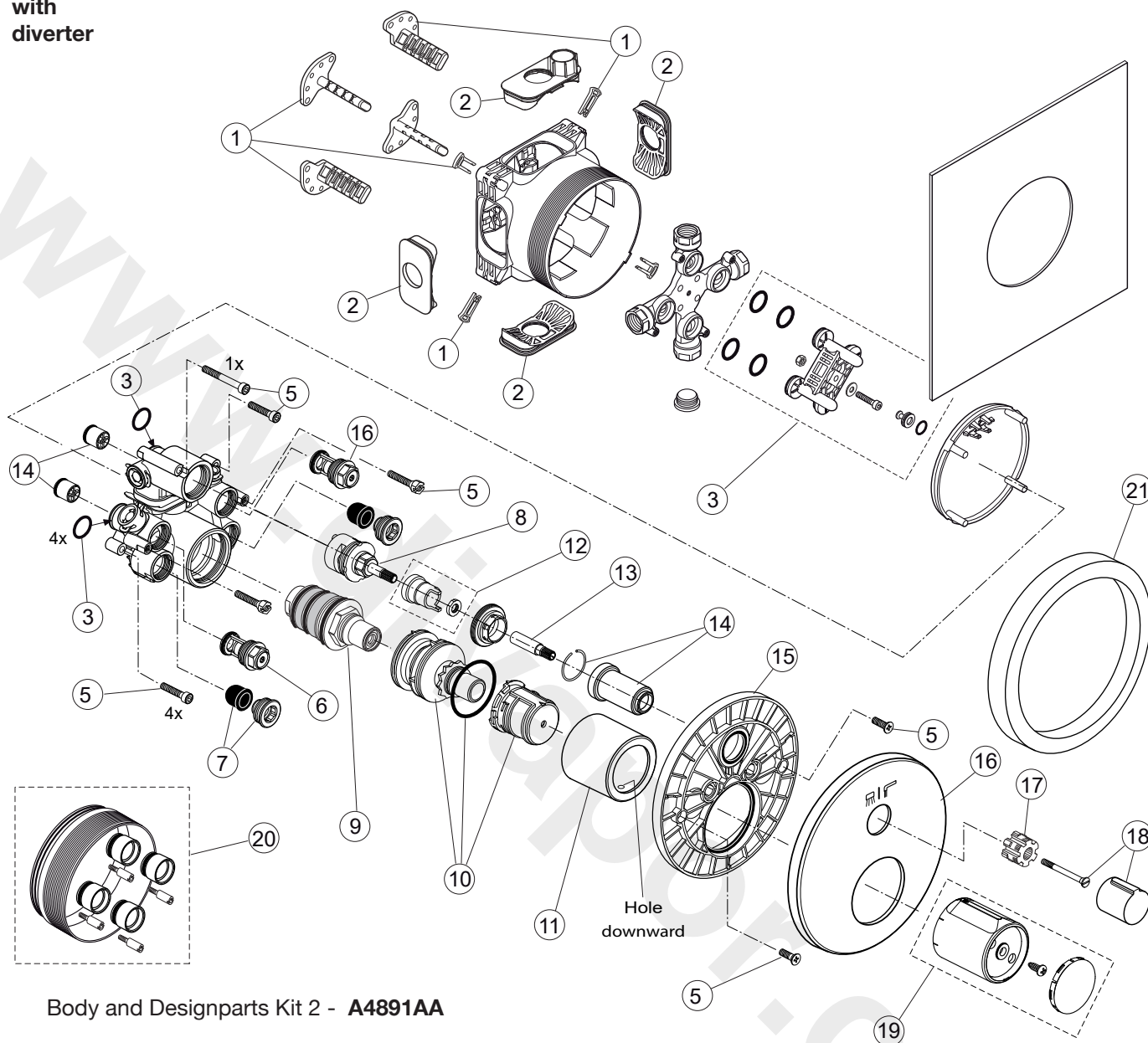


Produced from: **Oct. 2020**

Pre-installation Kit 1 - Easy Box **A1000NU**

**THERMOSTAT
with
diverter**



Body and Designparts Kit 2 - **A4891AA**

Replace **XX** with the appropriate finish code
chrome = AA,

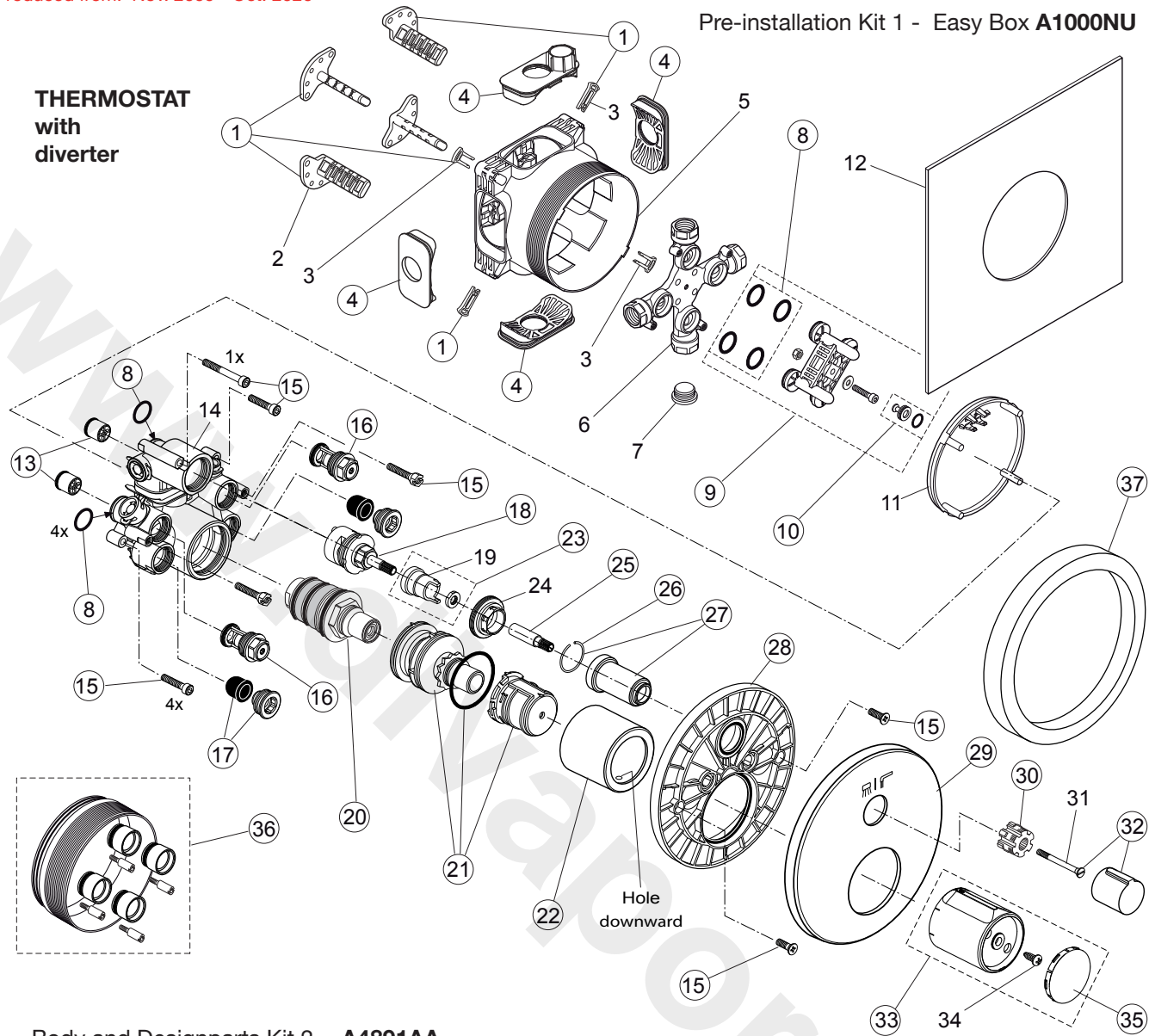
Example spare part order:
A 962 391 AA in chrome

| Pos. | Description | Part-Number | Qty. | Pos. | Description | Part-Number | Qty. |
|------|---------------------------|---------------------|-------|------|---------------------------|---------------------|-------|
| 1 | Install. depth adjust. | A 963 131 NU | 1 Set | 13 | Extension / handle adapt. | A 960 899 NU | 1 pcs |
| 2 | Side sealing | A 963 132 NU | 1 Set | 14 | Cover / Cap for Volume | A 962 384 XX | 1 pcs |
| 3 | Flushing device cpl. | A 963 146 NU | 1 Set | 15 | Escutcheon holder compl. | A 960 895 NU | 1 Set |
| 4 | Non-return valve DW15 | A 962 594 NU | 2 pcs | 16 | Escutcheon with symbols | A 962 484 XX | 1 pcs |
| 5 | Screw set complete | A 960 890 NU | 1 Set | 17 | Handle adapter | A 961 659 NU | 1 pcs |
| 6 | Stop valve | A 960 706 NU | 2 pcs | 18 | Volume control handle | A 962 388 XX | 1 pcs |
| 7 | Low noise insert | A 960 891 NU | 1 pcs | 19 | Temperature handle compl. | A 962 399 XX | 1 pcs |
| 8 | Stop valve + diverter | A 962 480 NU | 1 pcs | 20 | Extension kit 20mm | A 960 704 NU | 1 Set |
| 9 | Cartridge thermostat G3/4 | A 963 564 NU | 1 Set | | Extension kit 40mm | A 962 476 NU | 1 Set |
| 10 | Temp. adjustment compl. | A 963 427 NU | 1 Set | 21 | Distance frame | A 960 705 XX | 1 pcs |
| 11 | Cover / Cap for Temp. | A 962 391 XX | 1 pcs | | | | |
| 12 | Clamp cover with washer | A 962 481 NU | 1 Set | | | | |

Melange - Thermostat A4891..



Produced from: Nov. 2009 - Oct. 2020



Body and Designparts Kit 2 - A4891AA

Replace XX with the appropriate finish code
chrome = AA,

Example spare part order:
A 962 391 AA in chrome

| Pos. | Description | Part-Number | Qty. | Pos. | Description | Part-Number | Qty. |
|------|--|--------------|-------|------|---------------------------|--------------|-------|
| 1 | Installation depth adjustment with clips | A 963 131 NU | 1 Set | 19 | Clamp cover | A 963 564 NU | 1 Set |
| 2 | Depth adjustment device | | | 20 | Cartridge thermostat G3/4 | A 963 427 NU | 1 Set |
| 3 | Adjustment lock (contained in pos. 1) | | | 21 | Temp. adjustment compl. | A 962 391 XX | 1 pcs |
| 4 | Side sealing | A 963 132 NU | 1 Set | 22 | Cover / Cap for Temp. | A 962 481 NU | 1 Set |
| 5 | Built-in box | | | 23 | Clamp cover with washer | | |
| 6 | Multi-way body | | | 24 | Clamping nut M36 x 1 | A 960 899 NU | 1 pcs |
| 7 | Plug G1/2 | | | 25 | Extension / handle adapt. | A 962 368 NU | 1 pcs |
| 8 | O-ring Ø 17 x 2,5 | A 963 143 NU | 1 Set | 26 | Snap ring | A 962 384 XX | 1 pcs |
| 9 | Flushing device with Screw, washer + sealing set | A 963 146 NU | 1 Set | 27 | Cover / Cap for Volume | A 960 895 NU | 1 Set |
| 10 | Plug with o-ring Ø 12x1,5 | A 963 147 NU | 1 pcs | 28 | Escutcheon holder compl. | A 962 484 XX | 1 pcs |
| 11 | Cover for built-in box | | | 29 | Escutcheon with symbols | | |
| 12 | Sealing fleece | | | 30 | Handle adapter | A 961 659 NU | 1 pcs |
| 13 | Non-return valve DW15 | A 962 594 NU | 2 pcs | 31 | Screw for handle fixation | A 962 388 XX | 1 pcs |
| 14 | Body Thermostat | | | 32 | Volume control handle | A 962 399 XX | 1 pcs |
| 15 | Screw set complete | A 960 890 NU | 1 Set | 33 | Temperature handle compl. | | |
| 16 | Stop valve | A 960 706 NU | 2 pcs | 34 | Ejot-PT Screw KB50x10 | A 960 069 XX | 1 pcs |
| 17 | Low noise insert | A 960 891 NU | 1 pcs | 35 | Cap for handle (set) | A 960 704 NU | 1 Set |
| 18 | Stop valve + diverter | A 962 480 NU | 1 pcs | 36 | Extension kit 20mm | A 962 476 NU | 1 Set |
| | | | | 37 | Extension kit 40mm | A 960 705 XX | 1 pcs |
| | | | | | Distance frame | | |