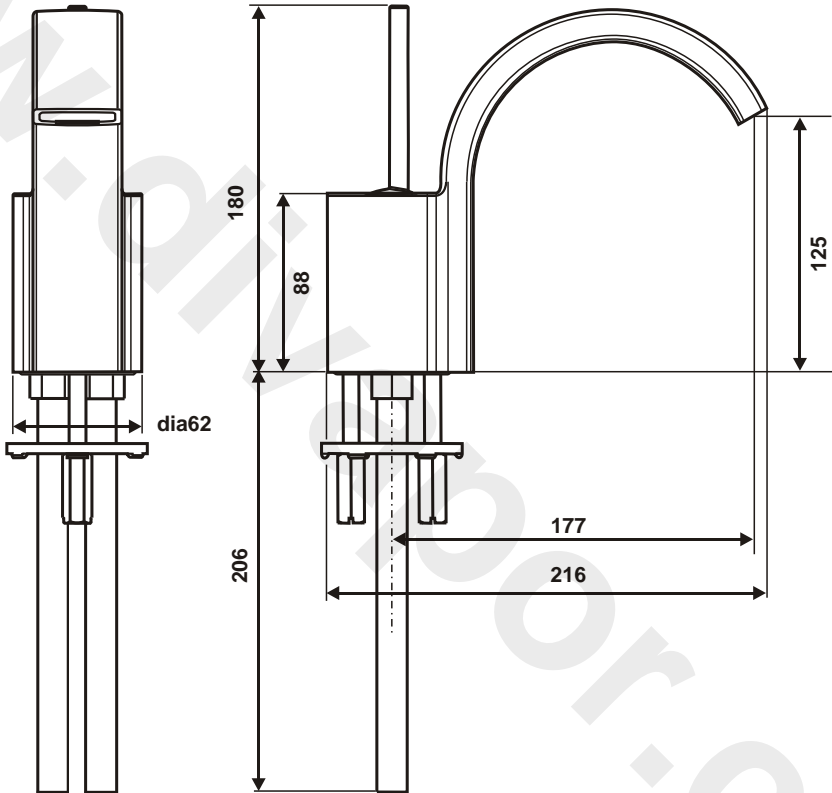


JADO

GLANCE BATH FILLER



Installation Instructions

A5417AA GLANCE 1 HOLE SINGLE LEVER BATH FILLER

INSTALLER:

After installation please pass this instruction booklet to user

The fittings covered by these instructions should be installed in accordance with the Water Regulations published in 1999*. Ideal Standard strongly recommends that these fittings are installed by a professional fitter.

WATER SUPPLIES

The Glance bath filler is designed for use on systems where the water pressure is a minimum of 0.1 bar and is suitable for use up to a pressure of 5.0 bar.

It is recommended that the hot and cold supply pressures are reasonably balanced and from a common source.

The Glance bath filler follows the convention of hot connection on the left and cold on the right.

The connections are 15mm rigid copper tails. (It is important not to make the connections using solder. Compression connections are recommended)

A 48mm hole will have to be cut in the bath to accommodate the filler and care should be exercised locating it. It is frequently not possible to place this bath filler adjacent to the overflow as the tap ledges of some baths can be too narrow to accommodate both. Often the front tap ledge corner is found to be a suitable location.

*A guide to the Water Supply (Water fittings) Regulations 1999 and the Water Byelaws 2000, Scotland is published by WRAS (Water Regulations Advisory Scheme) Fern Close, Pen-y-Fan Industrial Estate, Oakdale, Newport, NP11 3EH.
ISBN 0-9539708-0-9

ONE HOLE BATH FILLER

The one hole bath filler is secured by two sleeve nuts which hold the retaining plate and gasket against the underside of the bath. The fitting can be positioned anywhere there is space on the tap ledge, but before cutting the 48mm hole it is strongly recommended that the positioning be checked to ensure there is enough space to accommodate the tails, connections and the retaining plate. See Figure 1

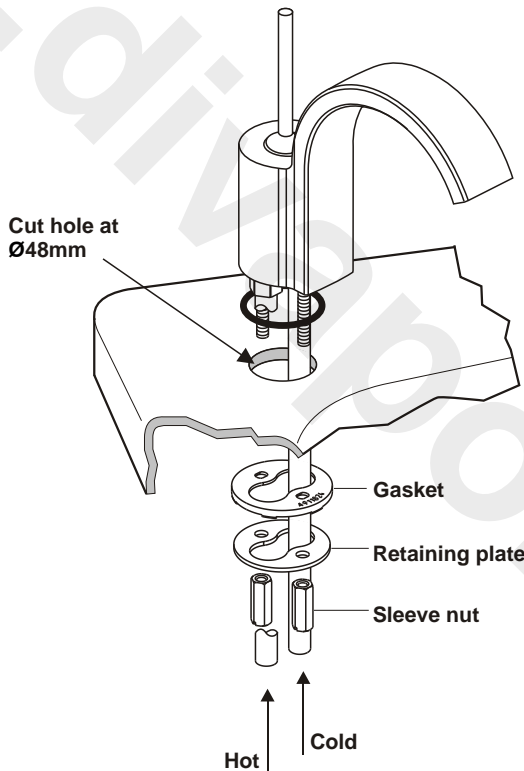


Figure 1

OPERATION

The Glance bath filler employs a single vertical joy stick type lever. Pushing this away from the user turns it on and further away movement increases the flow.

Pushing it to the left increases the temperature while movement to the right reduces the temperature. See Figure 2

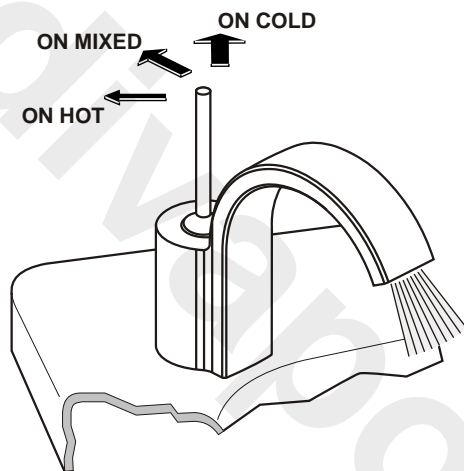


Figure 2

CARTRIDGE REPLACEMENT

Figures 3 and 4 show the step by step procedure for the removal of the cartridge.

Undo the components in the order indicated and reassemble in reverse order.

When fitting the new cartridge care must be exercised to ensure the plastic location pin on the cartridge base engages in the location hole inside the fitting body and not into one of the water ports.

When tightening the retaining nut which both locates and seals the cartridge, care should be taken not to over-tighten . The ideal torque is 5.0 Nm. Typically this is hand tight plus $\frac{1}{4}$ turn. If over-tightened the cartridge will be stiff to operate and will have a limited life.

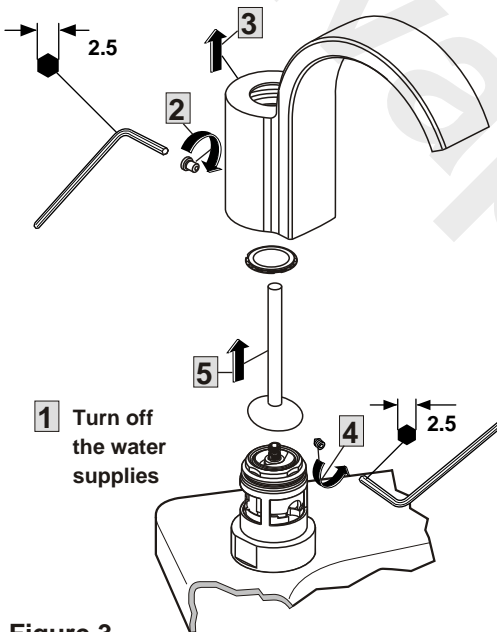


Figure 3

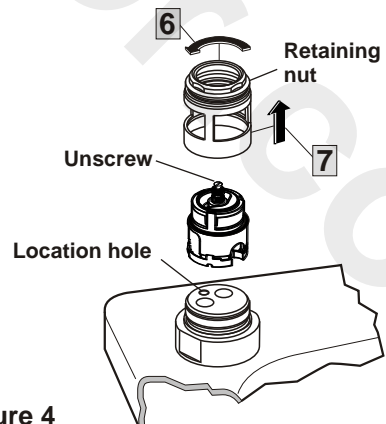
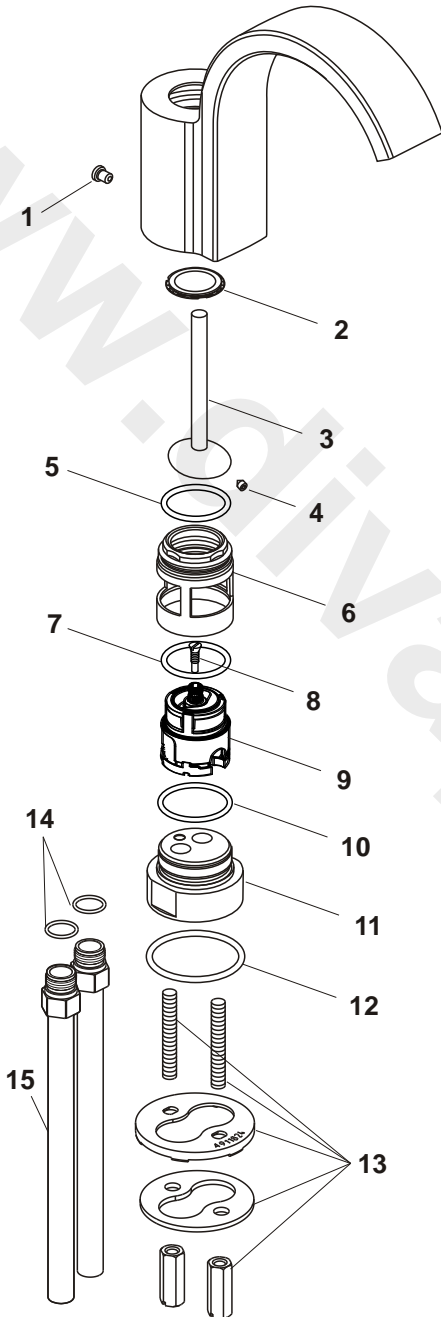


Figure 4



Ref.	Description
1	Set screw
2	Sealing ring
3	Handle lever
4	Handle fixation screw
5	O-ring
6	Cartridge retaining cage
7	O-ring
8	Screw M4
9	Multiport joystick cartridge MP40HF
10	O-ring 37.77 x 2.62
11	Base insert
12	O-ring
13	Fixation kit
14	Inlet tail seals
15	Intel tails 15mm copper

SAFETY FOR THE USER

The Glance bath filler is not thermostatically controlled and outlet temperatures depend on the position of the control handle, the hot and cold temperatures & pressures. If the cold water supply fails for any reason, only hot water at it's maximum temperature will be delivered.

Young children, the elderly and infirm should be supervised when using the bath.

CLEANING

When cleaning the fittings always use soap based cleaners.

Never use abrasive or scouring powders and never use cleaners containing alcohol, ammonia, nitric acid, phosphoric acid or disinfectants.

JADO

The Bathroom Works
National Avenue
Kingston-upon-Hull
HU5 4HS
England

CUSTOMER CARE HELPLINE

0870 129 6085

CUSTOMER CARE FAX

01482 499611

E-MAIL

ukcustcare@aseur.com

Sottini pursues a policy of continuing improvement in design and performance of its products.

The right is therefore reserved to vary specification without notice.

JADO is a division of
American Standard Plumbing (UK) Ltd

4559 02/06

E96559500