

Trevi Boost A5700.. A5701..



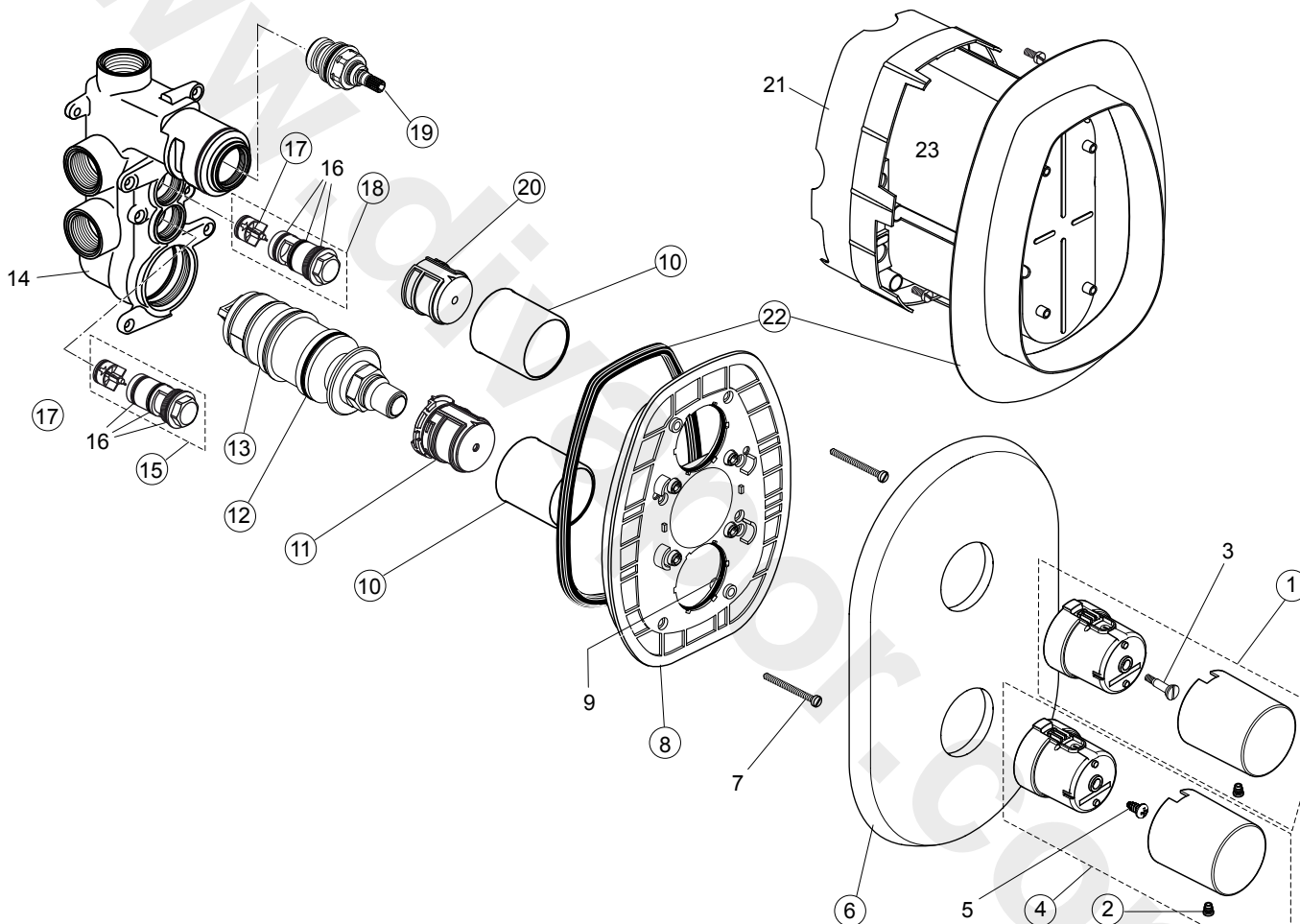
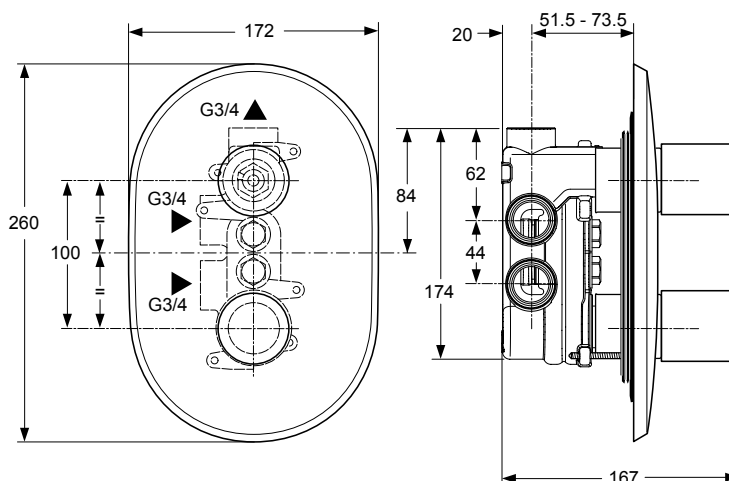
Produced from: June 2011

Individual thermostat built-in,
with handspray 1F, shower bar 60cm

chrome **A5700AA**

Individual thermostat built-in,
with rainshower & wall arm

chrome **A5701AA**



Pos.	Description	Part-Number	Qty.	Pos.	Description	Part-Number	Qty.
1	Handle cpl. with ISI-Logo	A 963 851 AA	1 pcs	15	Non-return+stop valve cold	A 960 588 NU	1 pcs
2	Spigot screw M5x5	A 961 095 NU	1 pcs	16	O - Ring set		
3	Screw M4 x 23,5			17	Check valve	A 860 415 NU	1 pcs
4	Temperature handle cpl.	A 963 852 AA	1 pcs	18	Non-return+stop valve hot	A 960 589 NU	1 pcs
5	Ejot-PT-Screw KB50x10			19	Rubber valve G3/4	A 963 284 NU	1 pcs
6	Escutcheon with marker	A 963 853 AA	1 pcs	20	Handle insert Universal	A 963 432 NU	1 Set
7	Cylindrical screw M4x45,5			21	Plaster guard		
8	Escutcheon holder	A 963 509 NU	1 pcs	22	Sealing frame + ring	A 963 510 NU	1 Set
9	O - Ring Ø43 x 3			23	Cylindrical screw M4 x10		
10	Cover cap	A 963 426 AA	1 pcs		Distance frame	not available	
11	Temperature adjustment	A 963 427 NU	1 pcs				
12	O-ring Ø 37,77 x 2,62	A 860 607 NU	1 pcs				
13	Boost cartridge venturi	A 963 855 NU	1 pcs				
14	Body						