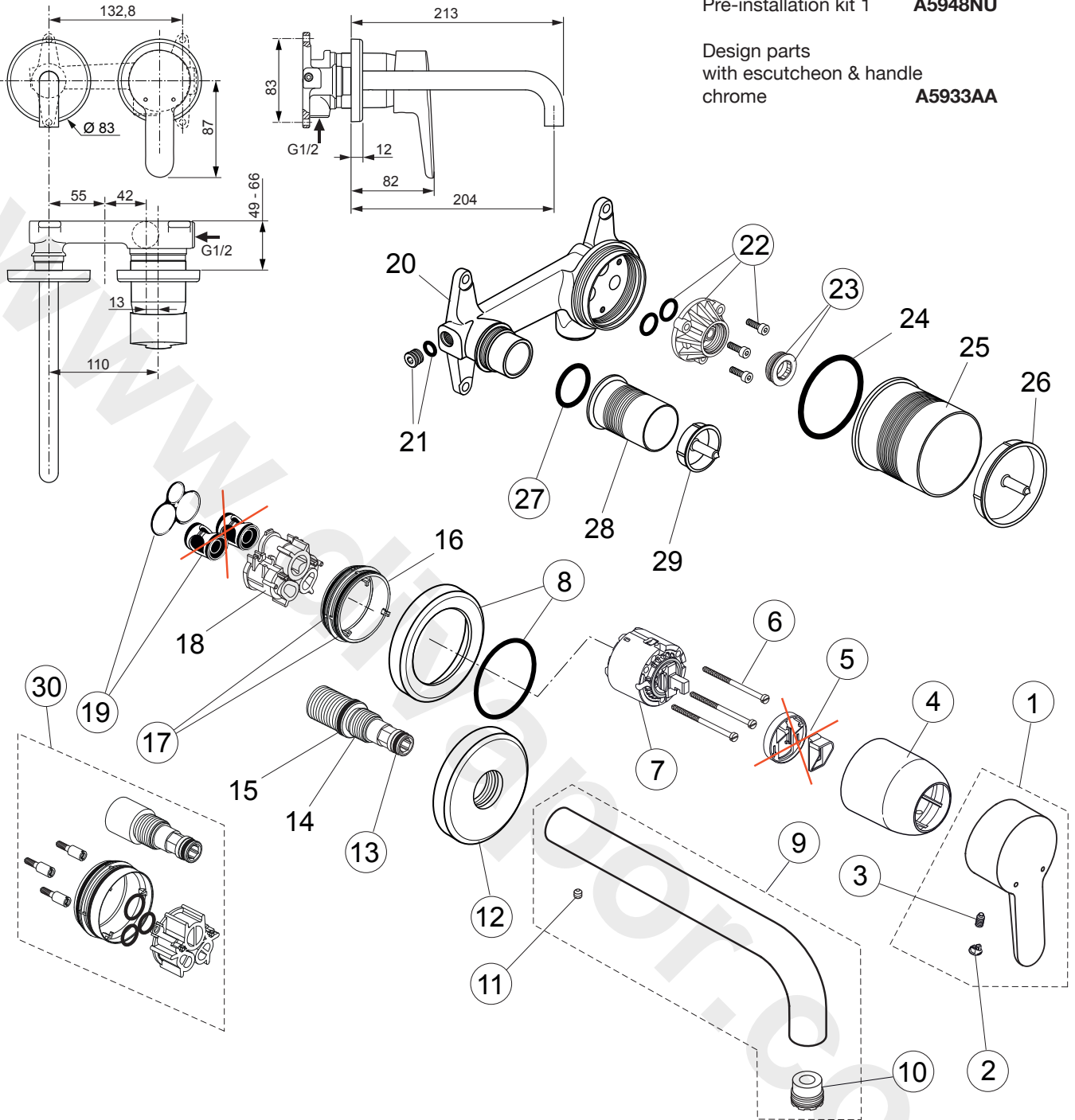


Produced from: **Sept. 2013**

Pre-installation kit 1 **A5948NU**

Design parts  
with escutcheon & handle  
chrome **A5933AA**



Pos.	Description	Part-Number	Qty.	Pos.	Description	Part-Number	Qty.
1	Lever compl. with Logo ISI	<b>B 961 011 AA</b>	1 pcs	16	Plastic ring		
2	Handle cap	<b>B 960 473 AA</b>	1 pcs	17	O - ring Ø 47,3 x 1,78	<b>A 963 526 NU</b>	2 pcs
3	Thread pin M5x10	<b>A 963 309 NU</b>	1 pcs	18	Plastic insert		
4	Cover cap	<b>A 960 893 AA</b>	1 pcs	19	Low noise insert complete	<b>A 963 524 NU</b>	1 Set
5	ECO-kit			20	Body ( built-in )		
6	Cylindrical screw M4x69	<b>A 963 783 NU</b>	3 pcs	21	Superior block M10x1		
7	Cartridge with pos. 4	<b>A 960 500 NU</b>	1 pcs	22	Flushing device complete	<b>F 960 881 NU</b>	1 Set
8	Escutcheon Ø83mm with O-ring Ø 53,57 x 3,53	<b>F 960 966 AA</b>	1 pcs	23	Plug with o-ring	<b>A 963 548 NU</b>	1 pcs
9	Spout 204mm projection	<b>A 962 274 AA</b>	1 pcs	24	O - ring Ø 54 x 2,5		
10	Aerator M16,5x1	<b>B 960 497 NU</b>	1 Set	25	Plaster guard for cartridge		
11	Thread pin M4x4 DIN916	<b>A 962 270 NU</b>	1 pcs	26	Cover for pos. 25		
12	Escutcheon Ø83mm spout	<b>F 960 967 AA</b>	1 pcs	27	O - ring Ø 26 x 2,5	<b>A 860 845 NU</b>	1 pcs
13	O - ring Ø 10 x 2	<b>A 963 495 NU</b>	2 pcs	28	Plaster guard for spout		
14	Connector spout			29	Cover for pos. 28		
15	O - ring Ø 19 x 2,5			30	Extension kit 20mm longer	<b>F 960 866 NU</b>	1 Set