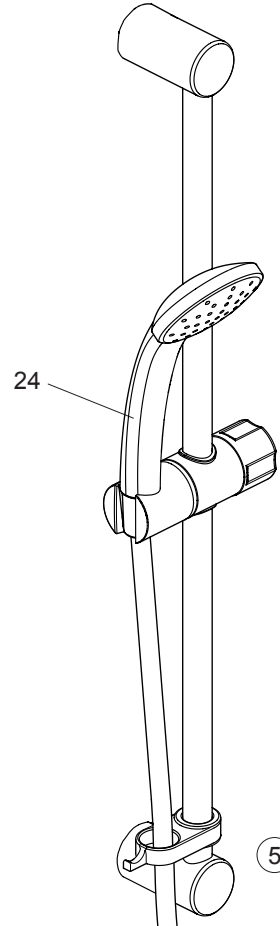
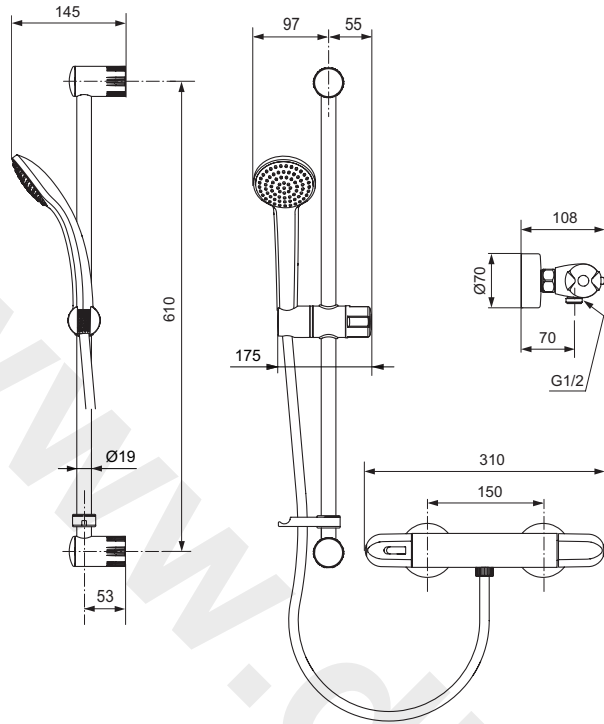
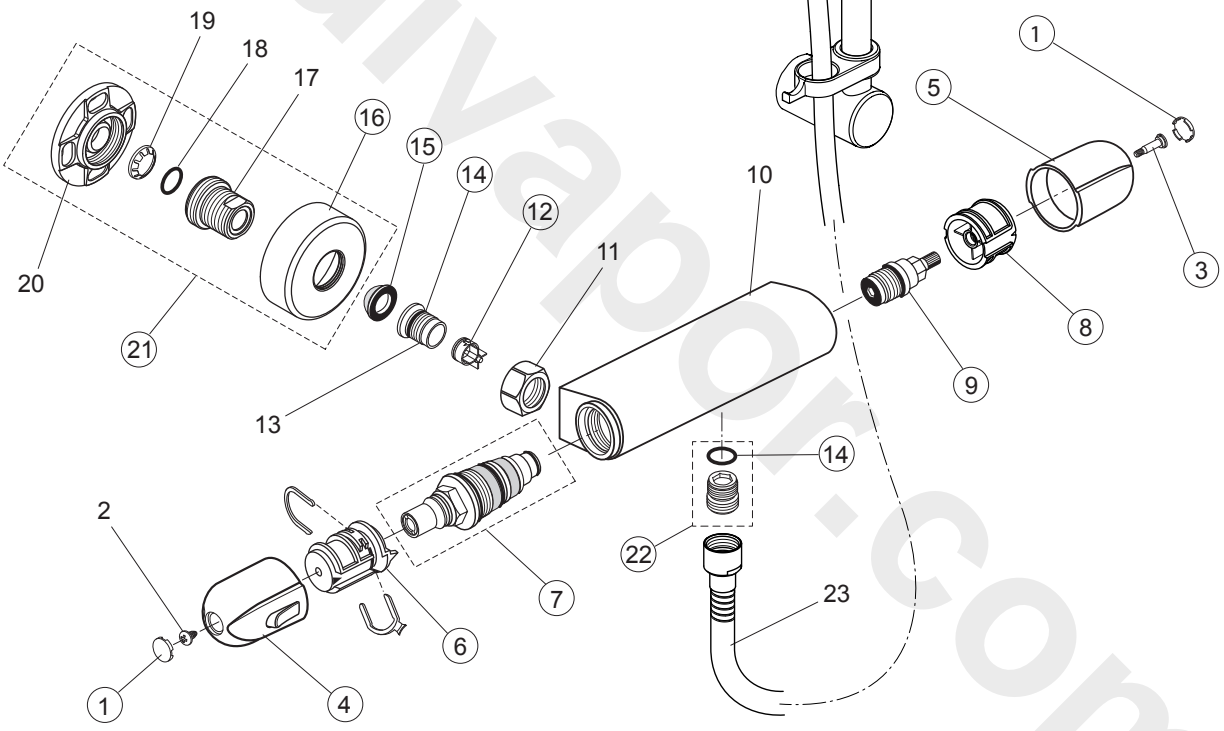


Produced from: **Sept. 2012**



Shower Thermostat together with slide bar + Idealrain handspray Ø80 - 1F and flex. hose chrome **A5985AA**



Pos.	Description	Part-Number	Qty.	Pos.	Description	Part-Number	Qty.
1	Cap for handle	A 962 361 LJ	1 pcs	14	O - ring Ø 17 x 2	A 961 810 NU	2 pcs
2	Screw Ejot PT KB50x10			15	Strainer (screen)	A 962 595 NU	2 pcs
3	Screw M4 L=23,5	A 962 998 NU	2 pcs	16	Escutcheon	B 960 242 AA	1 pcs
4	Handle for Temp. with 1+ 2	A 960 834 AA	1 pcs	17	Connector M33x1,5 - G3/4		
5	Handle for Vol. with 1+ 3	F 960 922 AA	1 pcs	18	O - ring Ø 15 x 2		
6	Temp. adjustment compl.	A 963 427 NU*	1 Set	19	Grip ring		
7	Thermostatic Cartridge	F 960 902 NU	1 pcs	20	Bracket base		
8	Handle insert (Set)	A 963 432 NU*	1 Set	21	Wall connector complete	B 961 042 AA	1 pcs
9	Cartridge G1/2 with rubber	A 961 214 NU	1 pcs	22	Nipple G1/2 outside compl.	A 963 651 NU	1 pcs
10	Body for shower			23	Flex. hose G1/2 x1250mm		
11	Coupling nut G3/4			24	Hand shower Ø80mm-1F		
12	None return-valve OV15	A 961 778 NU	1 pcs				
13	Seat M20x1 left thread						

* Universal-Set