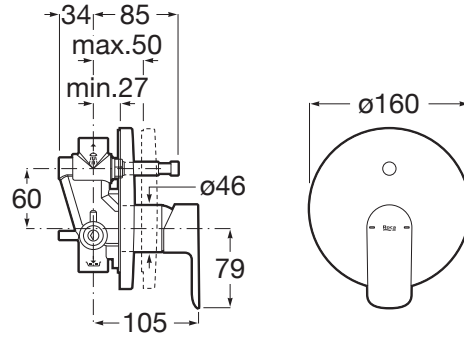


CALA

Built-in bath-shower mixer with automatic diverter and 2 outlets



TECHNICAL DRAWINGS



FEATURES

- Application: Bath
- Diverter: Automatic
- Faucet type: Single-lever
- Installation type: Built-in
- Net weight (kg): 1.73
- Water and energy-saving
- Water connection diameter: 1/2"



EverShine



SoftTurn®



Cala

The essence of Cala's design is demonstrated in a slim body of only 38mm and its flat rectangular handle, in perfect harmony with the shape of the spout; the ultimate blend of visual elements combined for optimal proportion and style. This comprehensive collection features a range of basin taps, bath shower mixers and bidet options.



INSTALLATION AND USER MANUALS



[Installation manual](#)