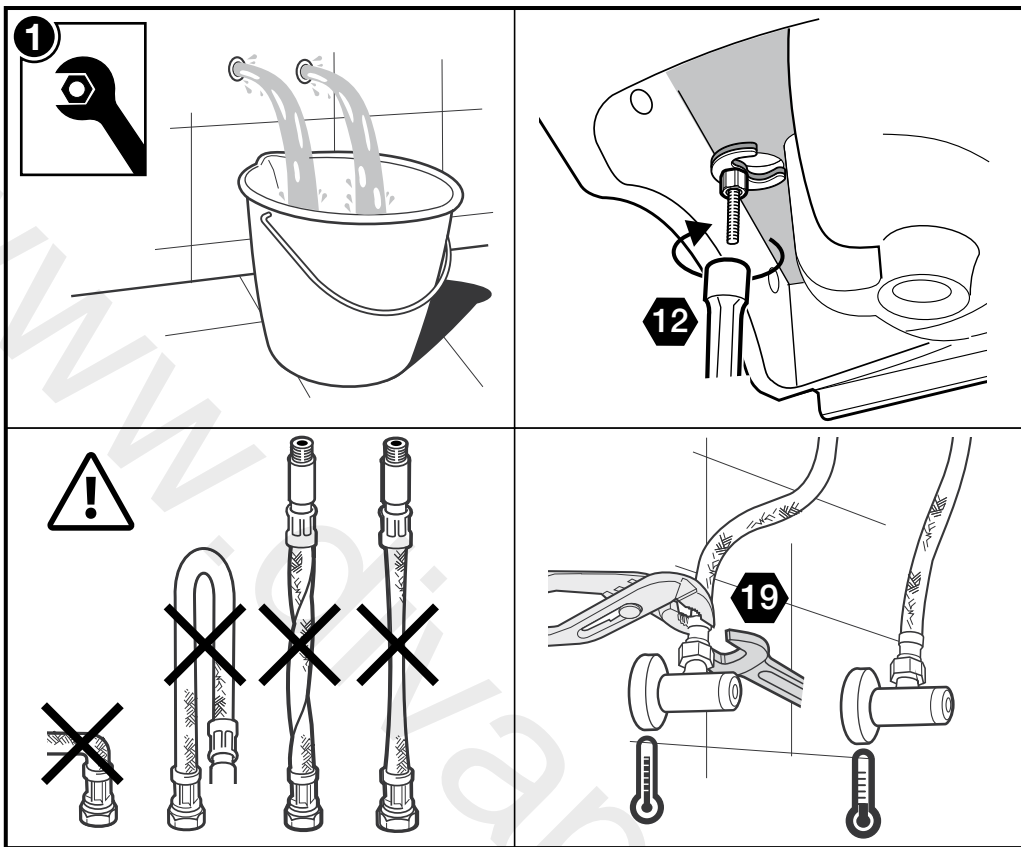










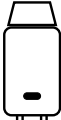







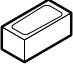


Roca

ATLAS





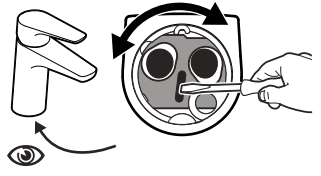
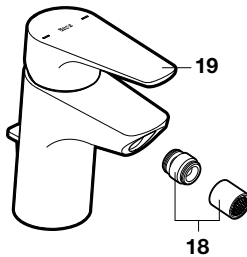
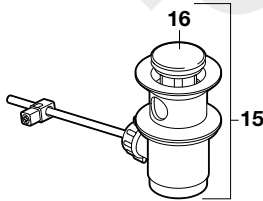
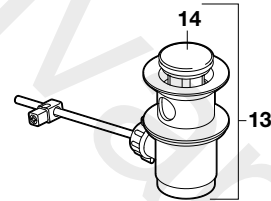
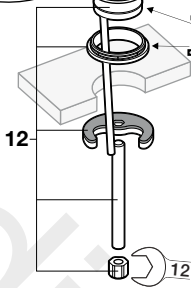
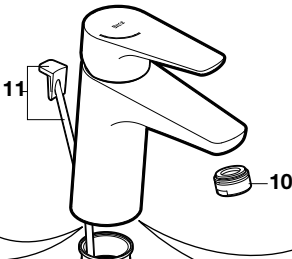
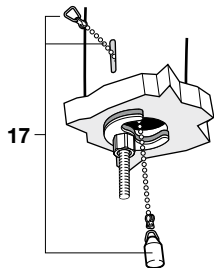
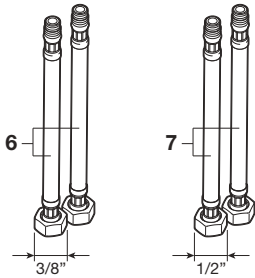
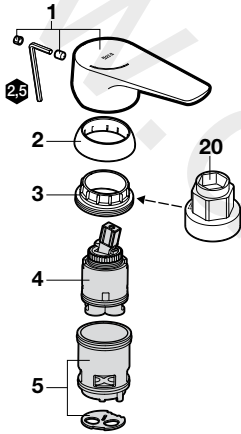
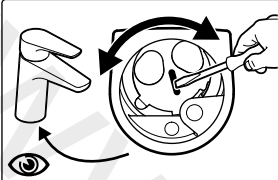
 P 	P bar	 MAX 10	
 P 	P bar	MIN 1  5 MAX	2 3  
  T	°C	 80 MAX.	 65 50 
 Q (3 bar)	l/min	 8	 5 1,7 A5A3290C0D  20



A5A3090

A5A3190

A5A3290



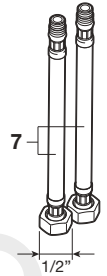
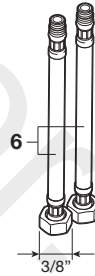
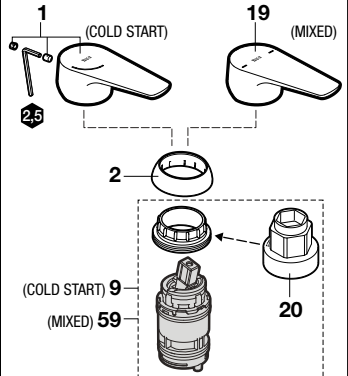
A5A3090

A5A3190

A5A3290

A5A3090..M

A5A3290..M

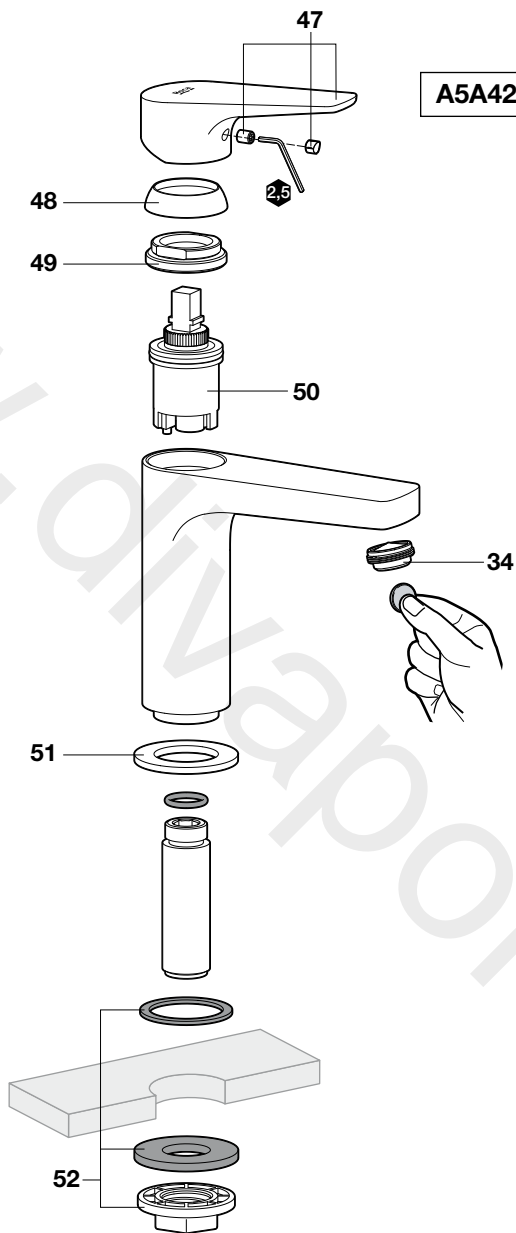


A5A6090

A5A6190



A5A4290..T



4



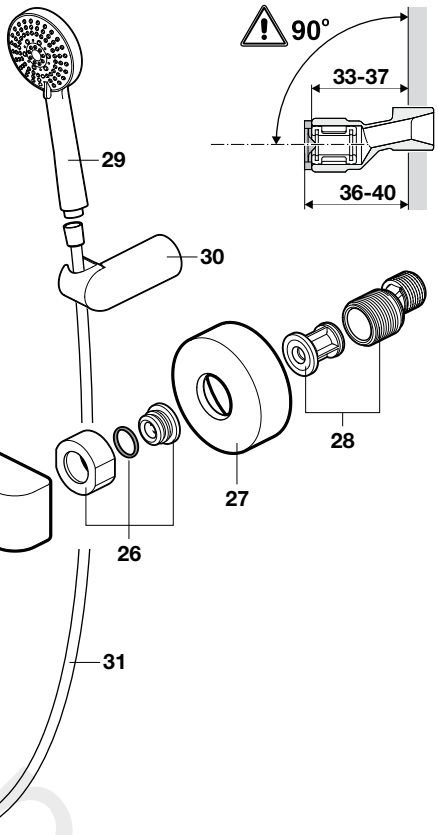
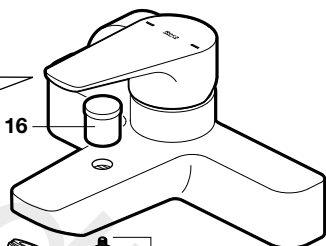
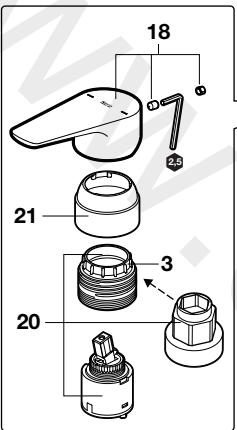
A5A0190

A5A0290

90°

33-37

36-40

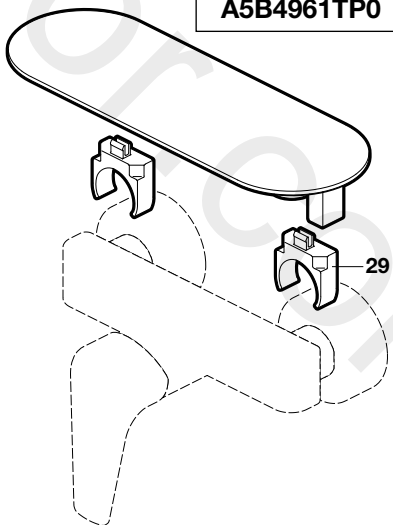
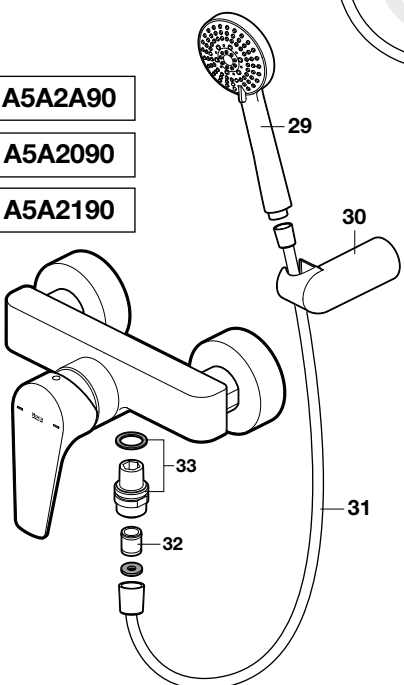


A5A2A90

A5A2090

A5A2190

A5B4961TP0

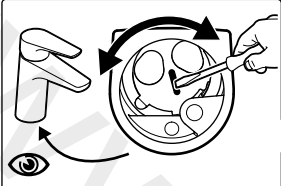
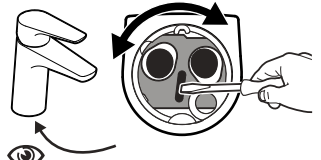
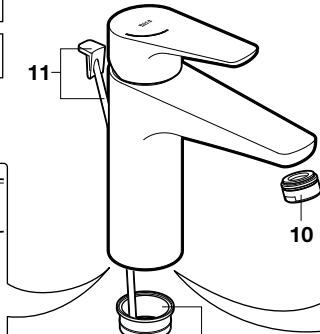


5



A5A3390

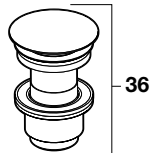
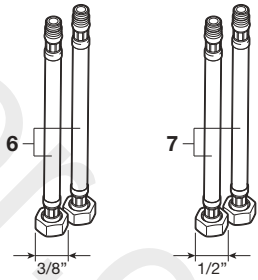
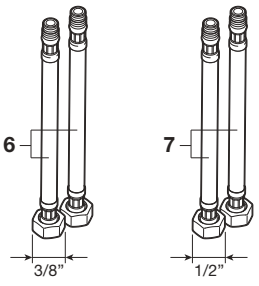
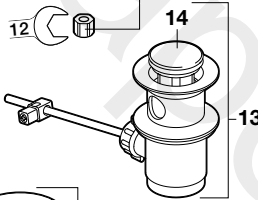
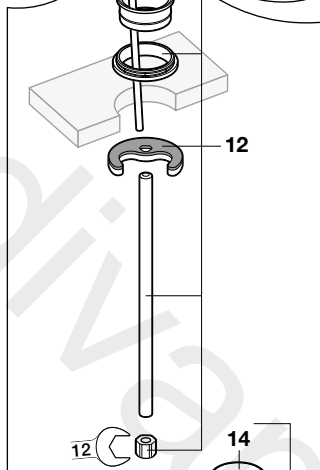
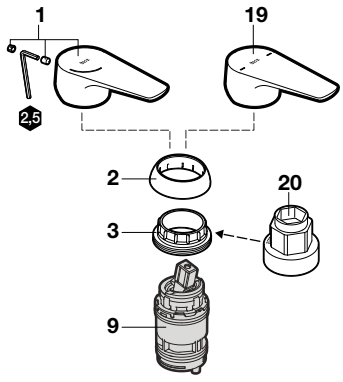
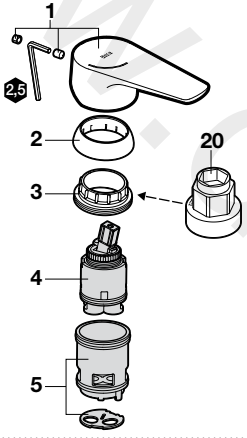
A5A3990



A5A3390

A5A3990

A5A3790..M

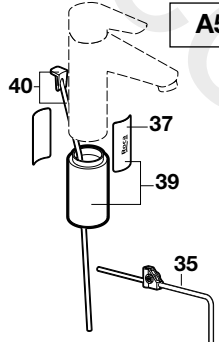
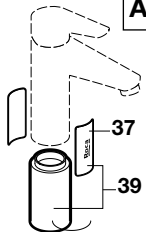
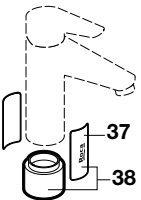


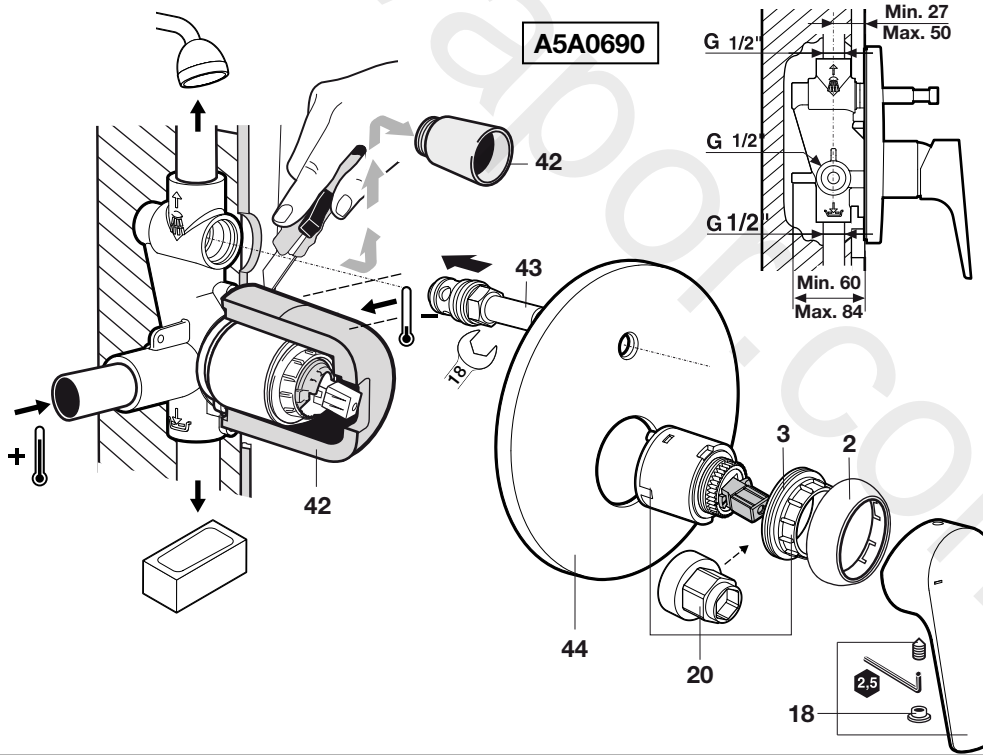
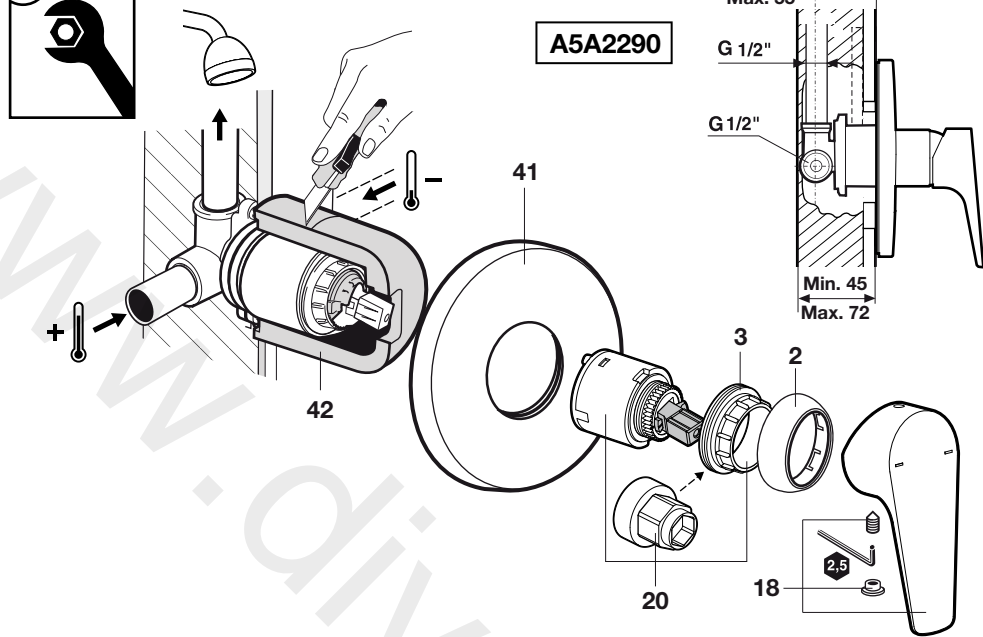
A5A3D90

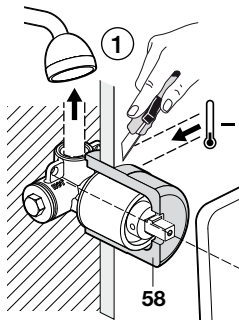
A5A3790

A5A3790..M

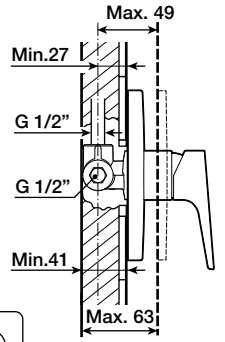
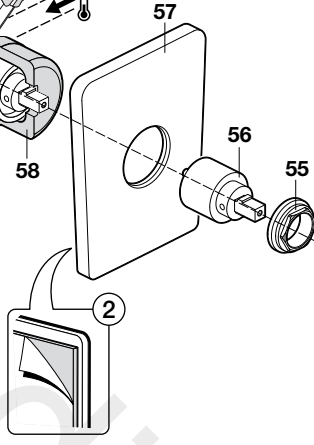
A5A3490







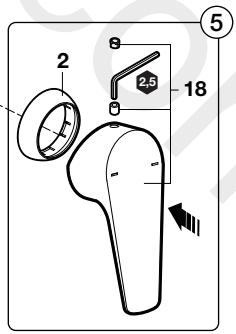
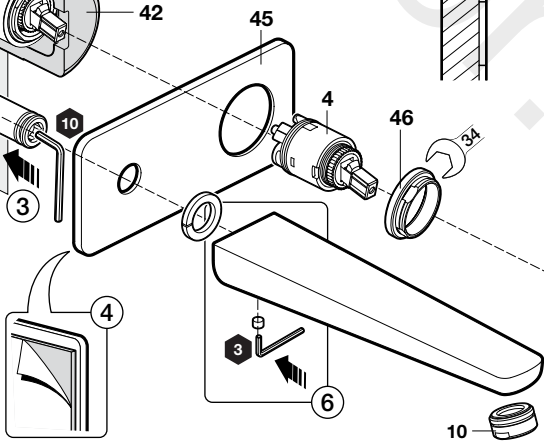
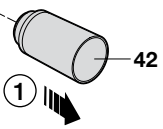
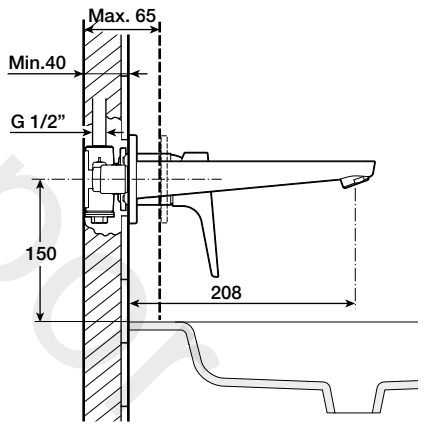
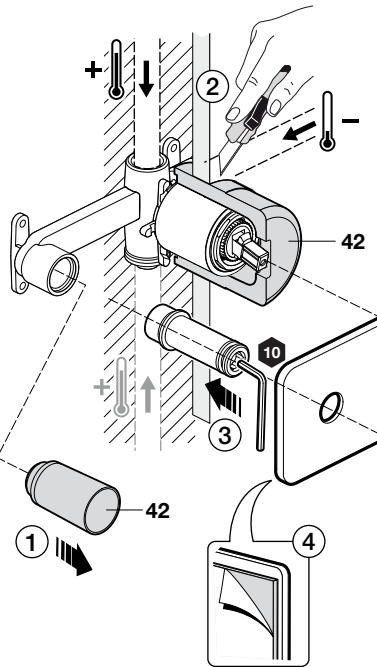
A5A2D90..T



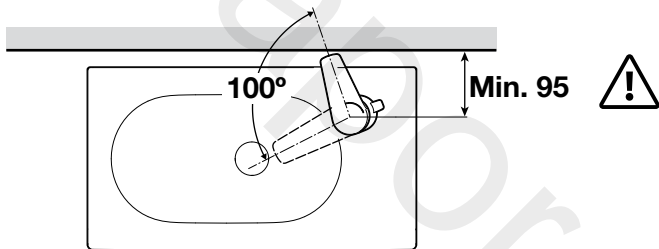
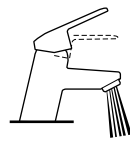
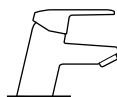
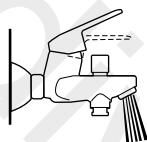
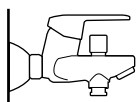
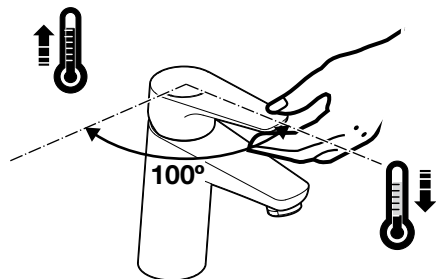
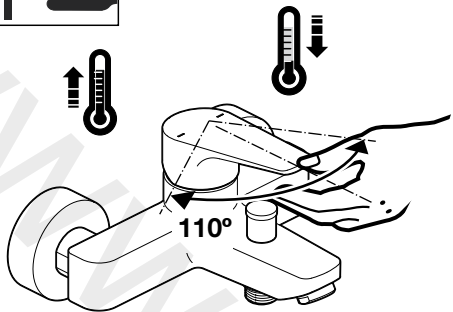
A5252206



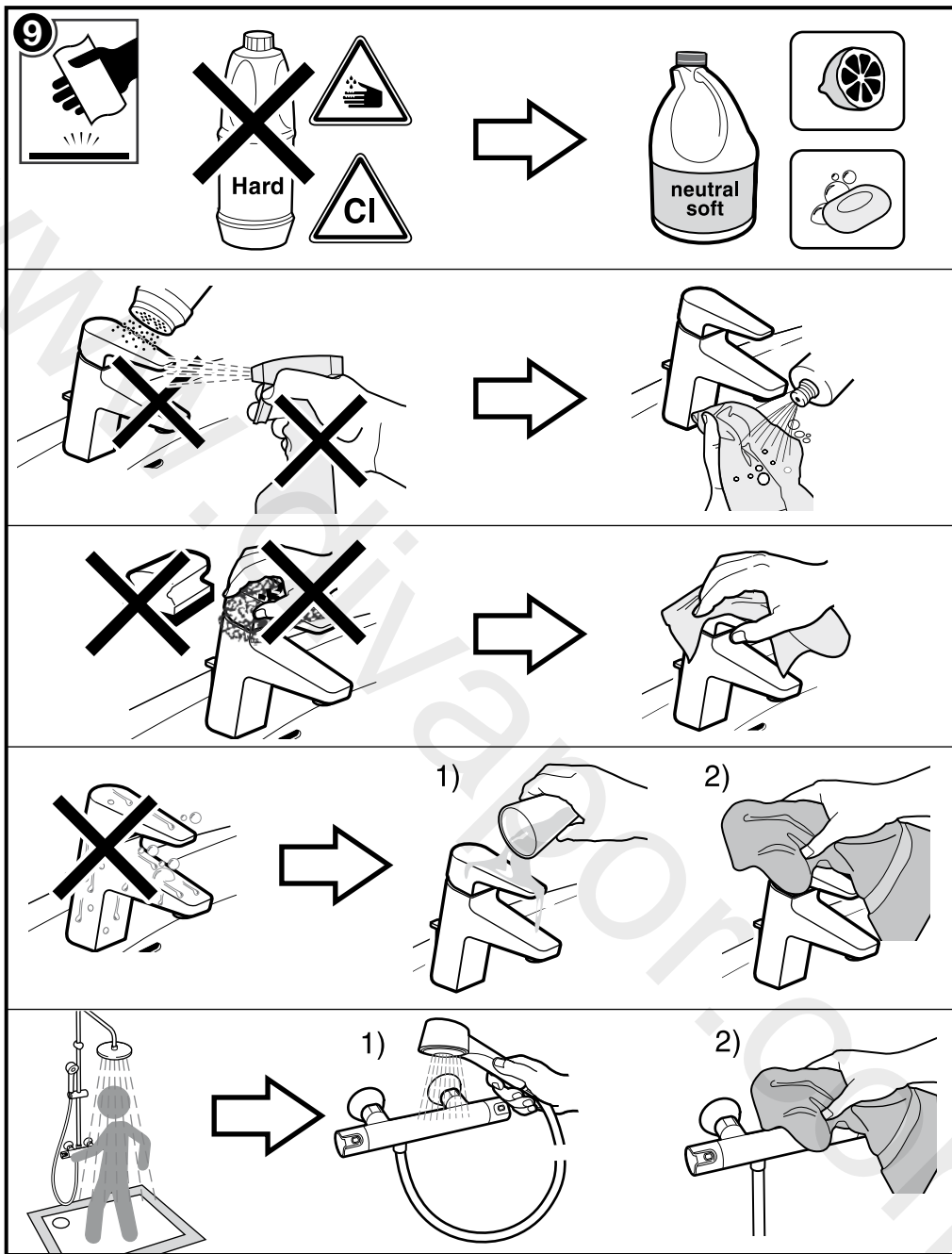
A5A3590



8



1	- AG0116100R		16	- AG0055800R		38	- AG0117100R
2	- AG0085300R		17	- A525004600		39	- AG0117400R
3	- A525023507		18	- AG0116300R		40	- AG0117300R
4	- AG0141207R		19	- AG0032300R		41	- AG0119500R
5	- AG0096307R		20	- A525005407		42	- AG0001907R
6	- AG0096409R	D10X3/8"H L-420	21	- AG0116400R		43	- A525006500
	- AG0096509R	D10x3/8"H L-600	22	- AG0116700R		44	- AG0119600R
7	- AG0125909R	D10x1/2"F L-600	23	- A525003600		45	- AG0142300R
	- AG0126009R	D10x1/2"F L-470	24	- AG0116500R		46	- AG0142100R
8	- AG0163900R		25	- AG0116600R		47	- AG0171400R
9	- AG0200700R		26	- A525005200		48	- AG0171500R
10	- AG0046600R	(5 l/min)	27	- AG0116800R		49	- AG0171600R
	- AG0129000R	(1,7 l/min)	28	- AG0103908R		50	- AG0171700R
11	- A525020600		29	- A5B1103..0		51	- AG0171800R
12	- A525004403	M8X85	30	- AG0003700R		52	- AG0171900R
	- A525030303	M8X247	31	- A525009800		53	- AG0172700R
13	- AG0075300R		32	- A525005507		54	- AG0172300R
14	- AG0096200R		33	- AG0036800R		55	- AG0172200R
15	- A525021200		34	- AG0099007R		56	- AG0123907R
			35	- AG0033300R		57	- AG0172800R
			36	- AP00097500		58	- AG0172000R
			37	- AG0117207R		59	- AG0200600R



A523092507U

