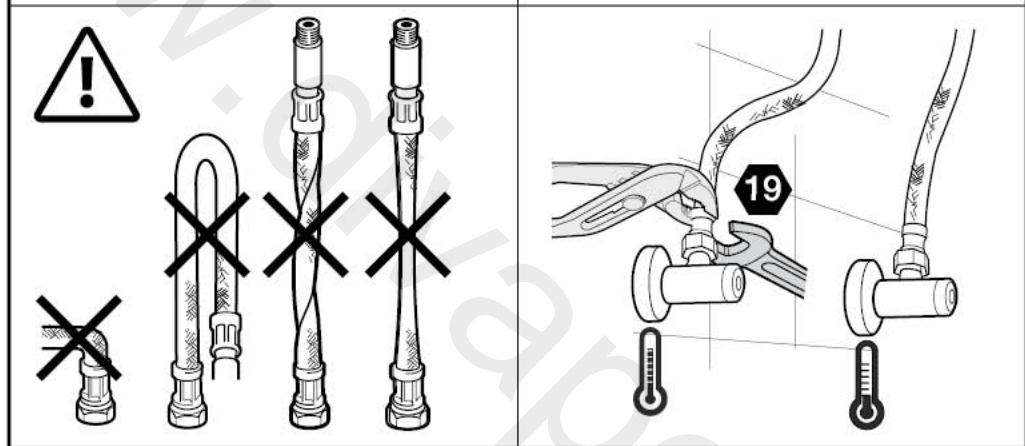
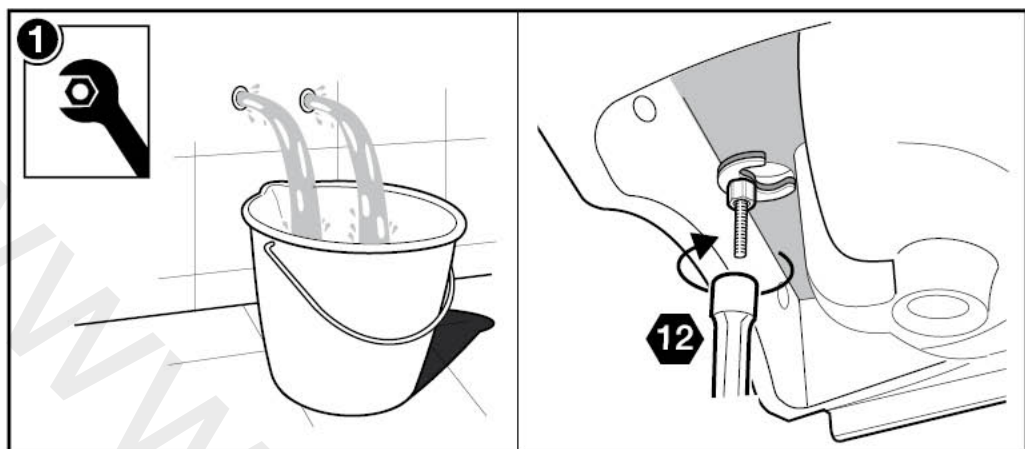




**Roca**

**L90**



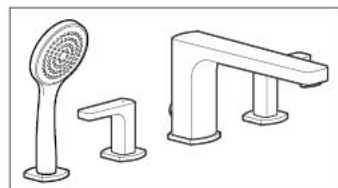
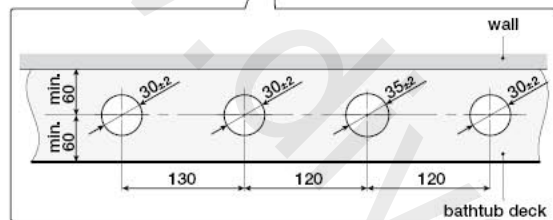
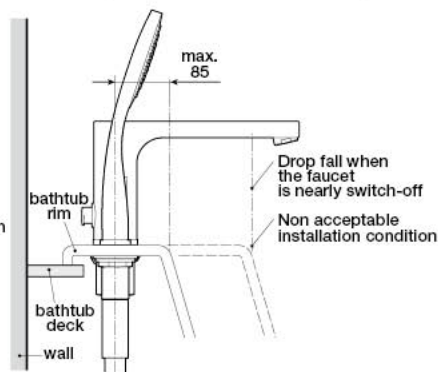
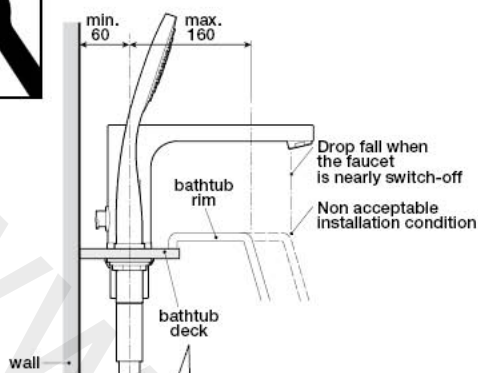


P	P bar	MAX 10
P	P bar	MIN 1  5 MAX
T	°C	80 MAX.
Q (3 bar)	l/min	17
		65 50
		3 2
		28

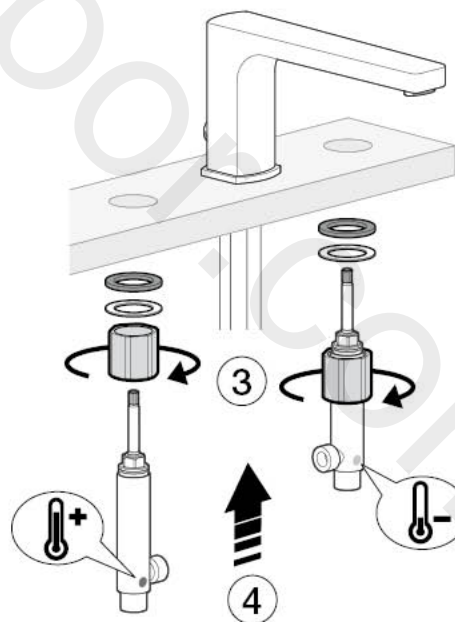
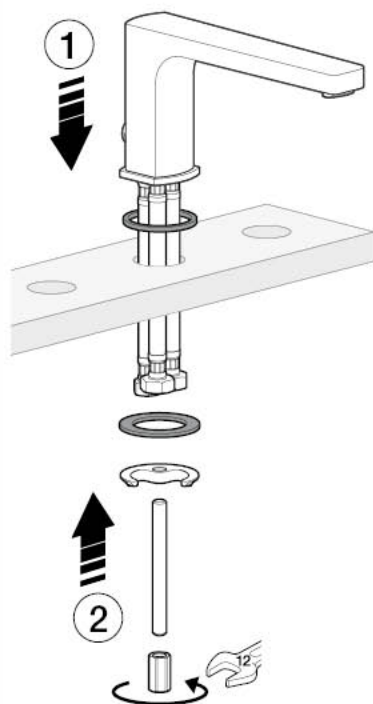


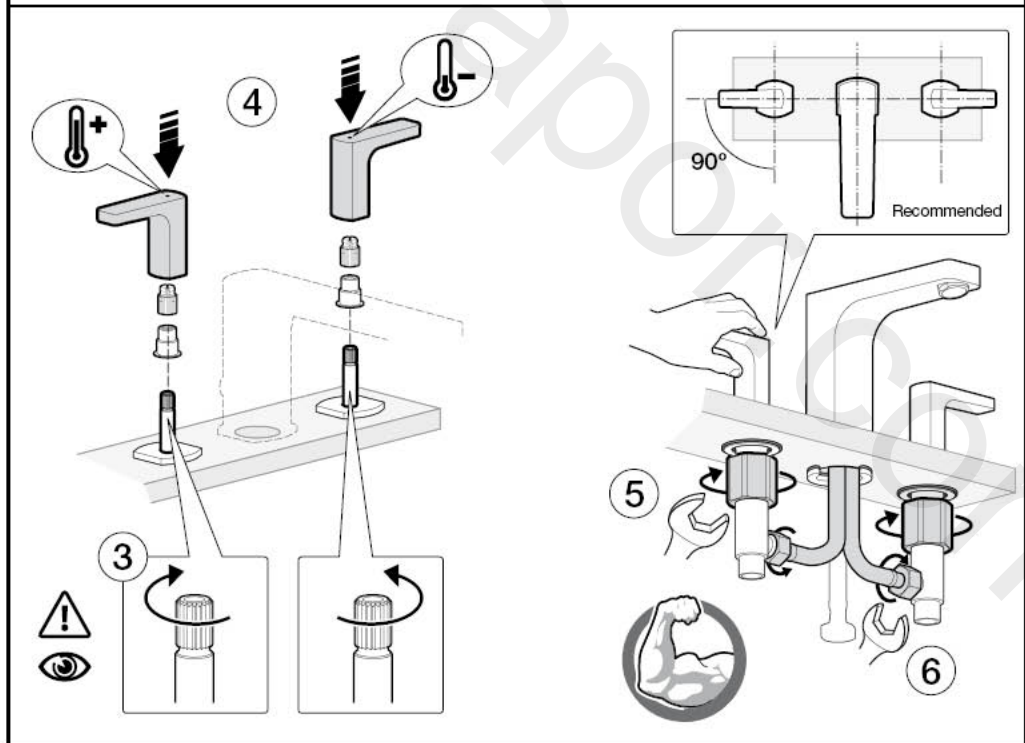
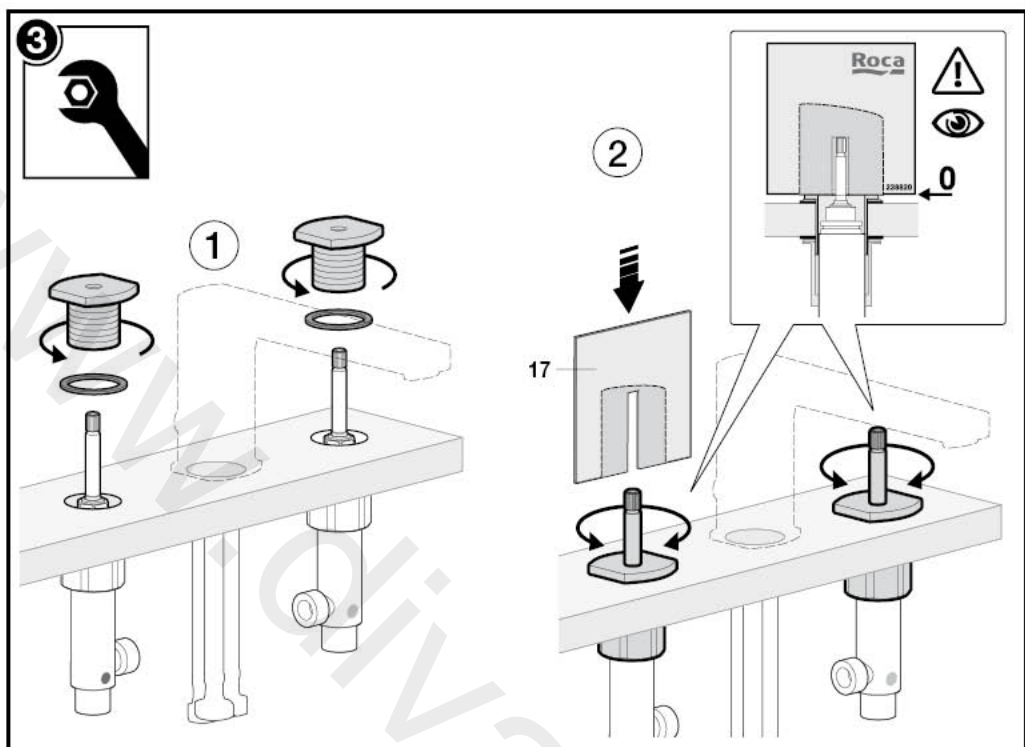
A5A0901..0

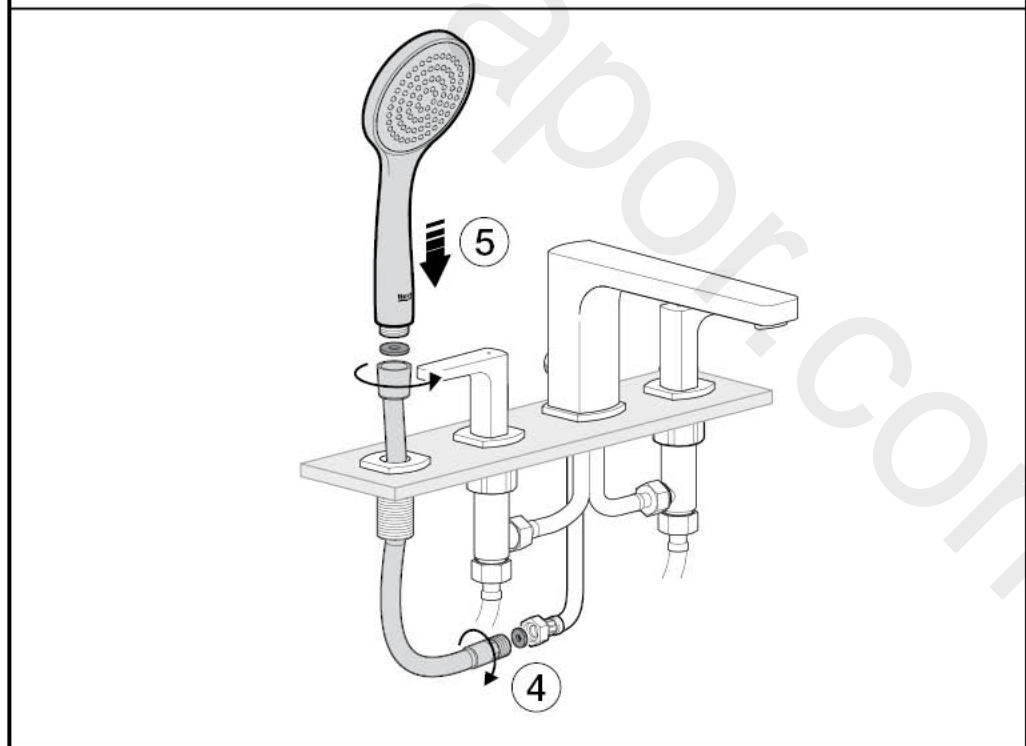
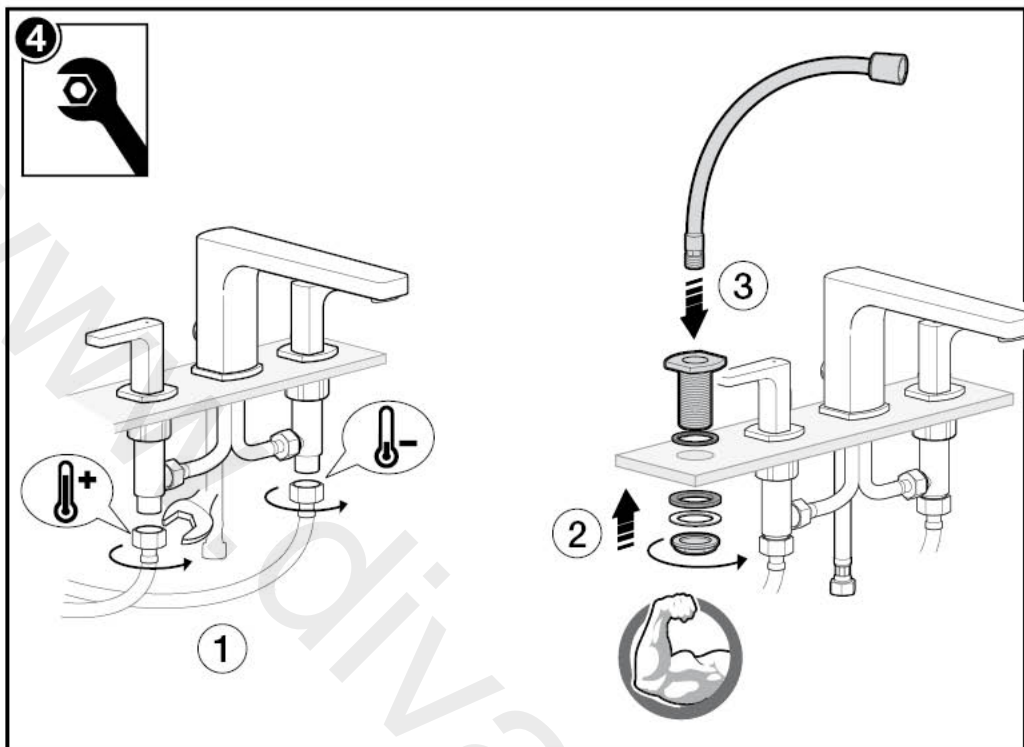
A5A1801..0

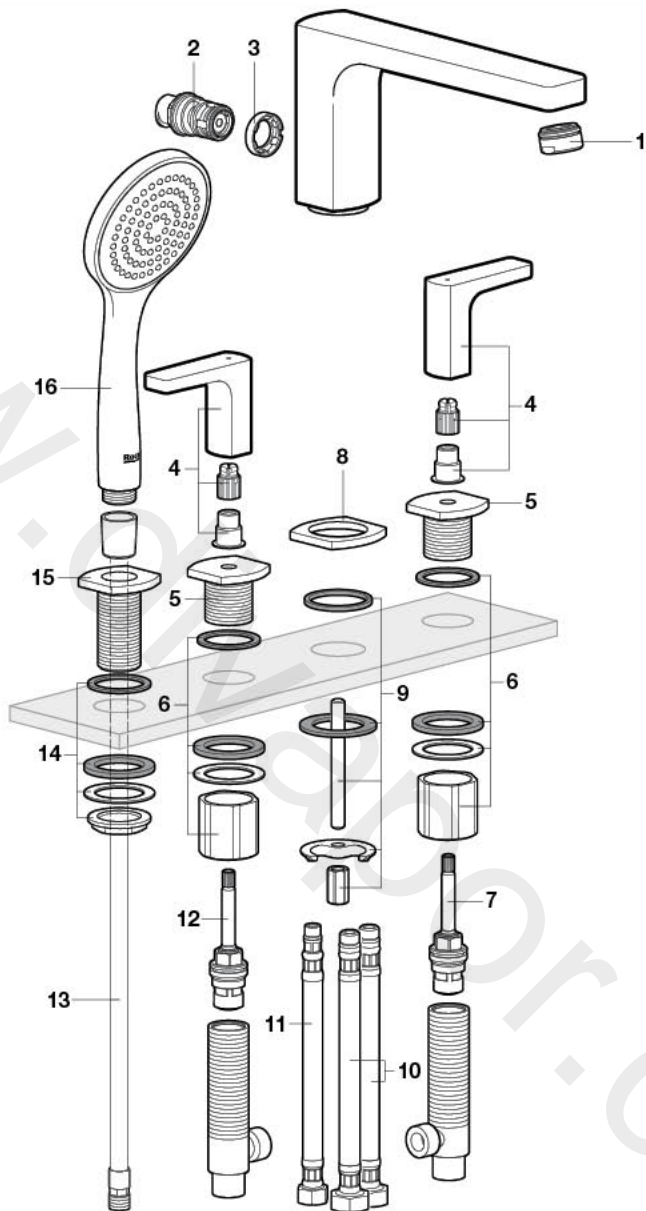


Recommended the installation of A526803314 and a waste bathtub with drain

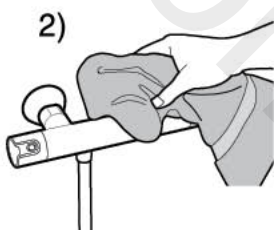
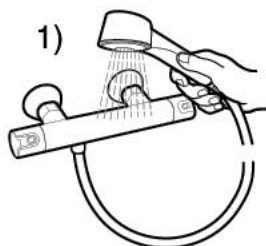
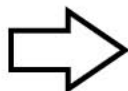
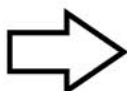
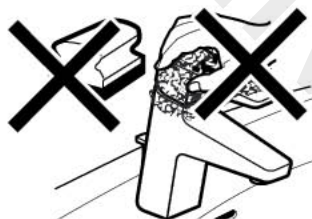
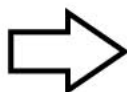
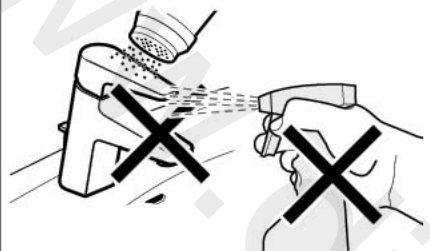
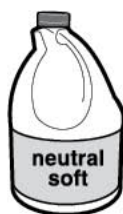
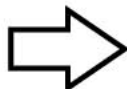








1 - A525003600	7 - AG0049003R	13 - AB0030900R
2 - A525023600	8 - AG0048000R	14 - AG0048303R
3 - A525024200	9 - A525006903	15 - AG0048100R
4 - AG0044200R	10 - AG0048509R	16 - AG0045000R
5 - AG0048600R	11 - AG0009709R	17 - AG0043907R
6 - AG0048703R	12 - A525021403	



www.divapor.com

Roca Sanitario, S.A.  
Avda. Diagonal, 513  
08029 Barcelona  
SPAIN  
[www.roca.com](http://www.roca.com)

**902**  
**304**  
**848**

LÍNEA DE  
ATENCIÓN AL  
CONSUMIDOR  
ESPAÑA



**902**  
**400**  
**423**

SERVICIO  
TÉCNICO  
ESPAÑA



**Roca**

A523098907a