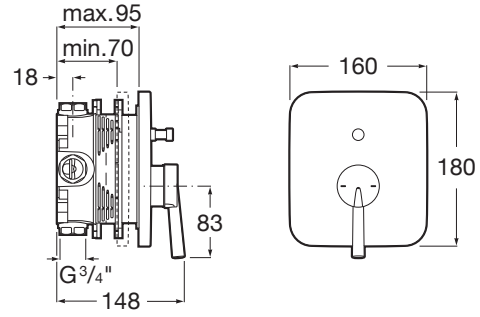


PALS

Built-in bath-shower mixer. Required RocaBox A525869403



TECHNICAL DRAWINGS



FEATURES

- Application: Shower
- Faucet type: Single-lever
- Finish: Chrome
- Handle position: Top
- Installation type: Wall-mounted
- Waste type: Waste not included



EverShine



Joystick cartridge

## COMPATIBLE WITH



Universal RocaBox

525869403

## Pals

An ultra-modern brassware collection formed with a combination of sleek geometric shapes. Pals offers a variety of configurations including joystick basin taps and matching bath shower mixers.



## INSTALLATION AND USER MANUALS

[Installation manual](#)