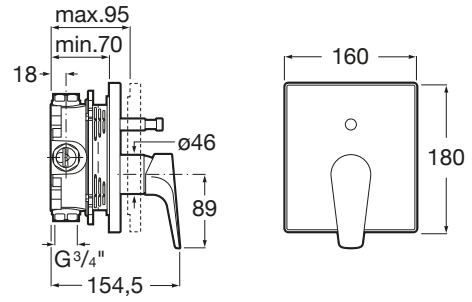


ATLAS

1/2" built-in bath-shower mixer with automatic diverter. Required: RocaBox A525869403



TECHNICAL DRAWINGS



FEATURES

- Application: Bath, Shower
- Diverter: Automatic
- Faucet type: Single-lever
- Finish: Chrome
- Handle position: Lateral
- Installation type: Built-in
- Type of cartridge: Ceramic Disc



EverShine

COMPATIBLE WITH



Universal RocaBox

525869403

Atlas

This faucet collection, which stands out for its elegance and versatility, includes flow limiters to 5 litres per minute as well as the Cold Start technology that guarantee greater water and energy savings. Also, with the aim of providing more comfort, the shower mixer can be equipped with a clip-on shelf, allowing you to have your showering essentials close to hand.



INSTALLATION AND USER MANUALS

↓
 [Installation manual](#)

↓
 [Installation manual](#)