

ONA

Built-in bath-shower mixer with automatic diverter (2 ways). To be completed with RocaBox A525869403



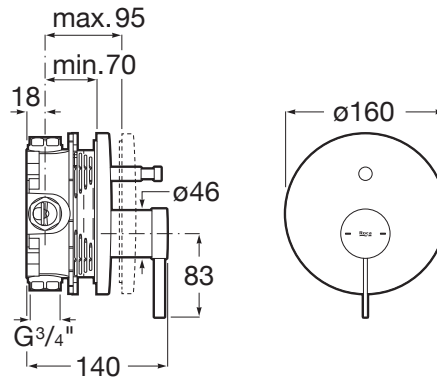
DIMENSIONS

Length 140 mm
Width 160 mm

COLOURS AND FINISHES



TECHNICAL DRAWINGS



FEATURES

- Application: Bath
- Diverter: Automatic
- Faucet type: Single-lever
- Installation type: Built-in
- Water connection diameter: 1/2"



EverShine



SoftTurn®

COMPATIBLE WITH



100/3. Handshower with 3 functions: Rain, Tonic and Pulse

5B1B03C00



Flex 1.60M Anti-Torsion Shower Hose Titanium Black

5B3850..0



Universal RocaBox

525869403



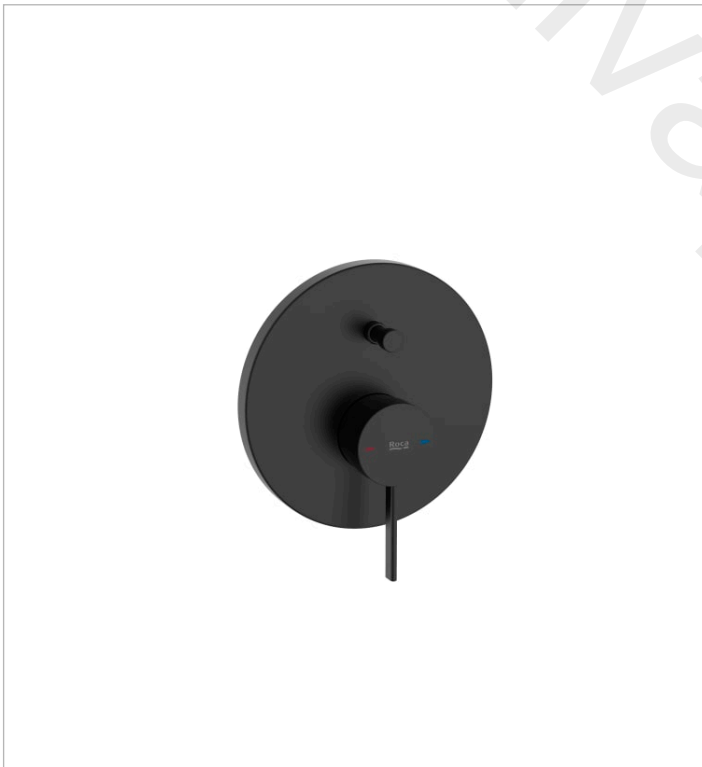
Round Water Inlet 1/2" Connection With Shower Bracket

5B5250..0



1/2" chromed water inlet for shower hose with integrated bracket for hand shower

5B5250C00





Ona

Simple as nature. Ona pays homage to the diverse shapes of nature from our native Mediterranean. It is functional without ever appearing cold, with crisp aesthetics that follow the inherent warmth of the natural environment, made for those who enjoy the power of silent landscapes.



INSTALLATION AND USER MANUALS

 [Installation manual](#)