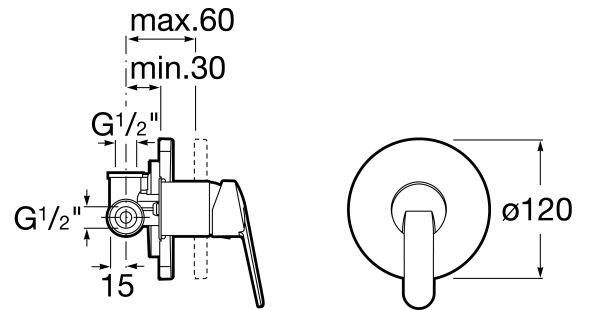


V2

Built-in shower mixer



TECHNICAL DRAWINGS



FEATURES

- Application: Shower
- Faucet type: Single-lever
- Finish: Chrome
- Handle position: Lateral
- Installation type: Built-in



EverShine



SoftTurn®

V2

A traditional response to classic atmospheres. Elegant and functional curves in an extensive collection of pieces that combine simplicity and versatility, offering the convenience of well-tryed solutions.



INSTALLATION AND USER MANUALS



[Installation manual](#)