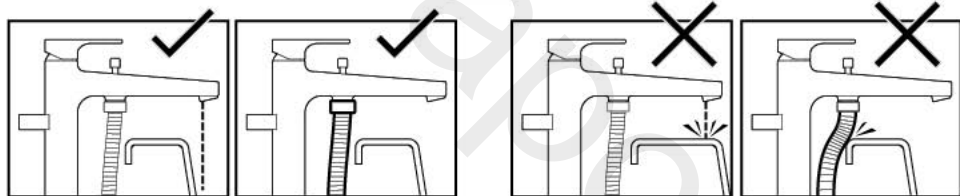
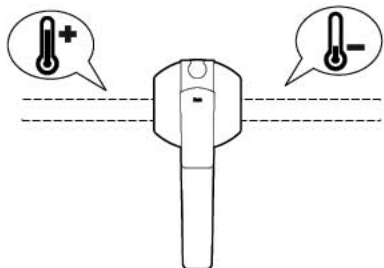
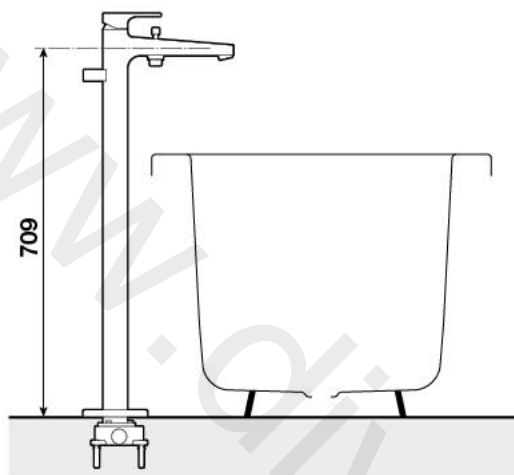




Roca

L90

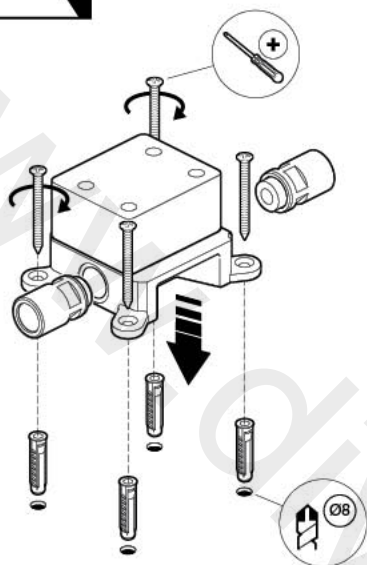




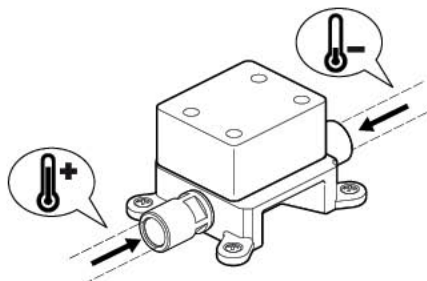
P	P bar	10 MAX.
P	P bar	5 MAX. 0,5 MIN.
T	°C	-80 MAX. -45 MIN.
Q (3 bar)	l/min	20
		65 50
		12



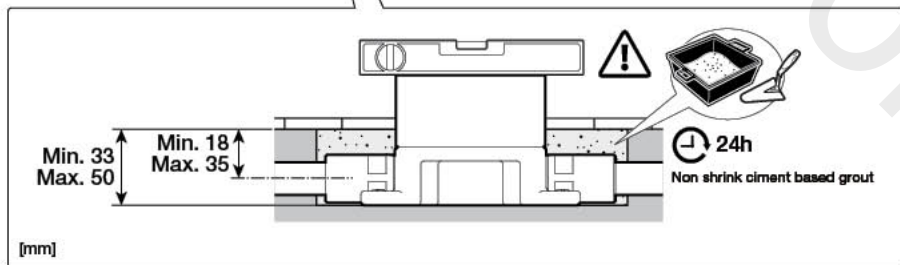
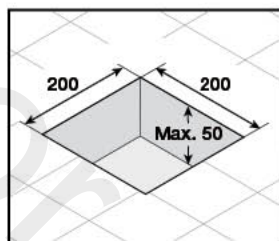
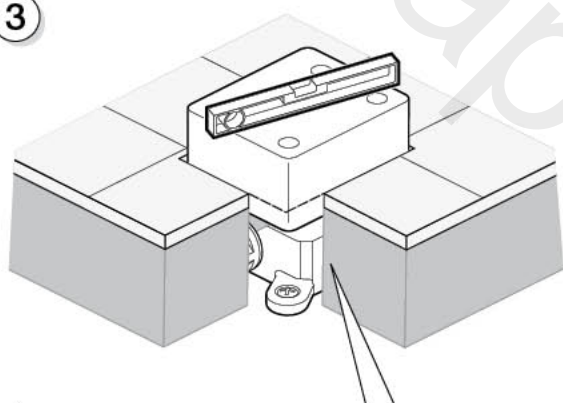
1

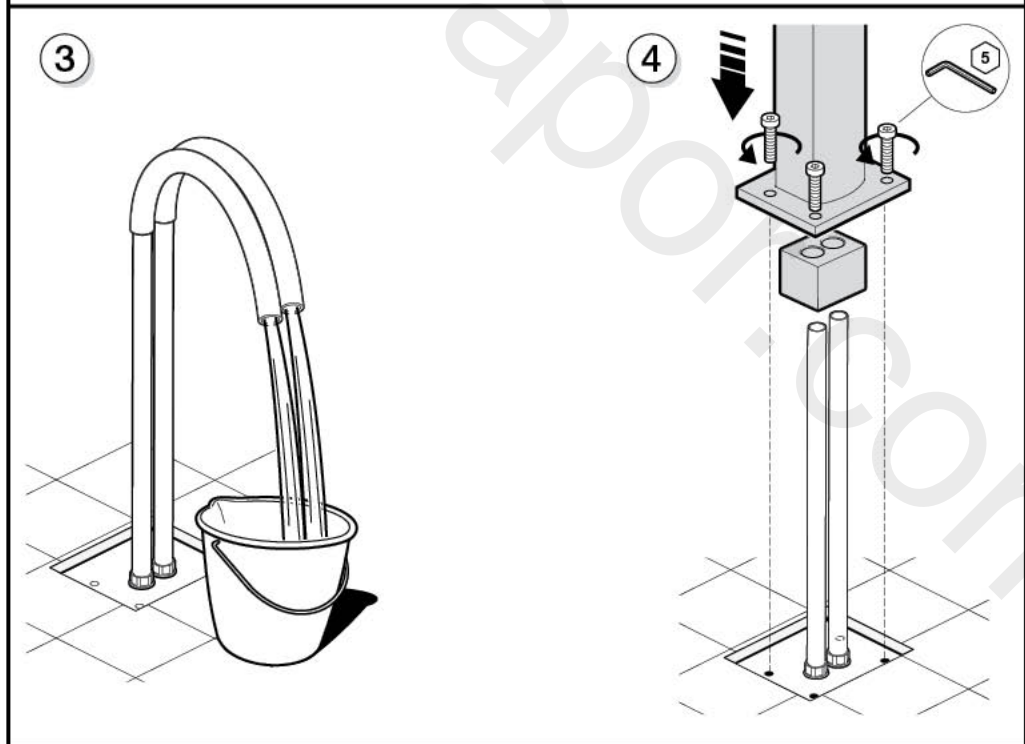
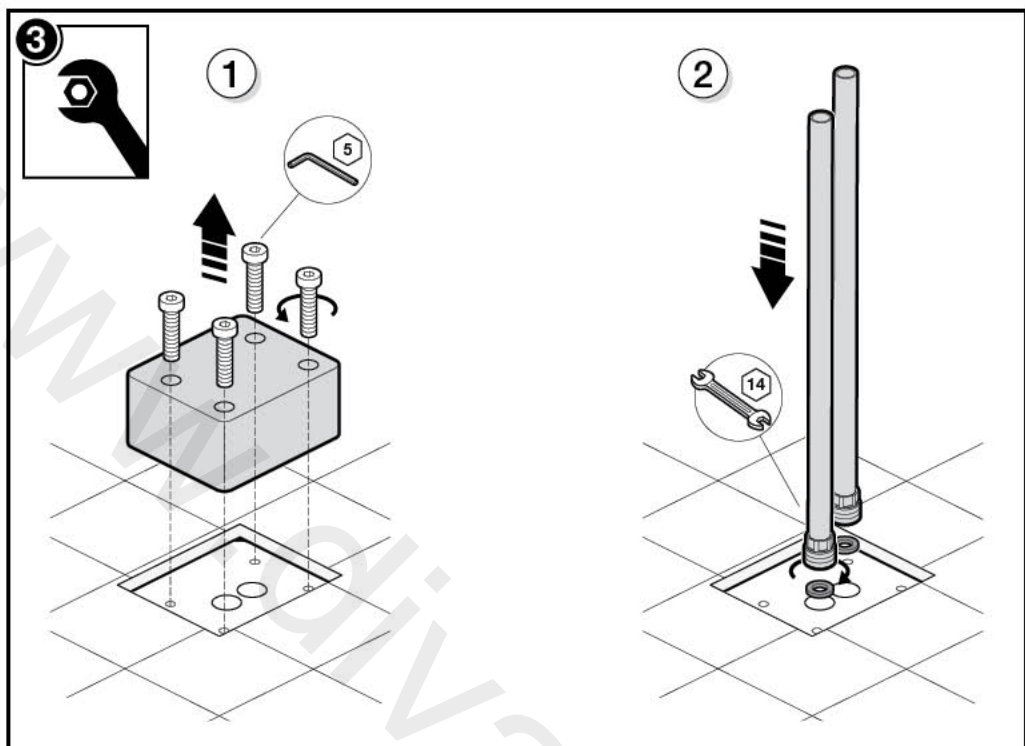


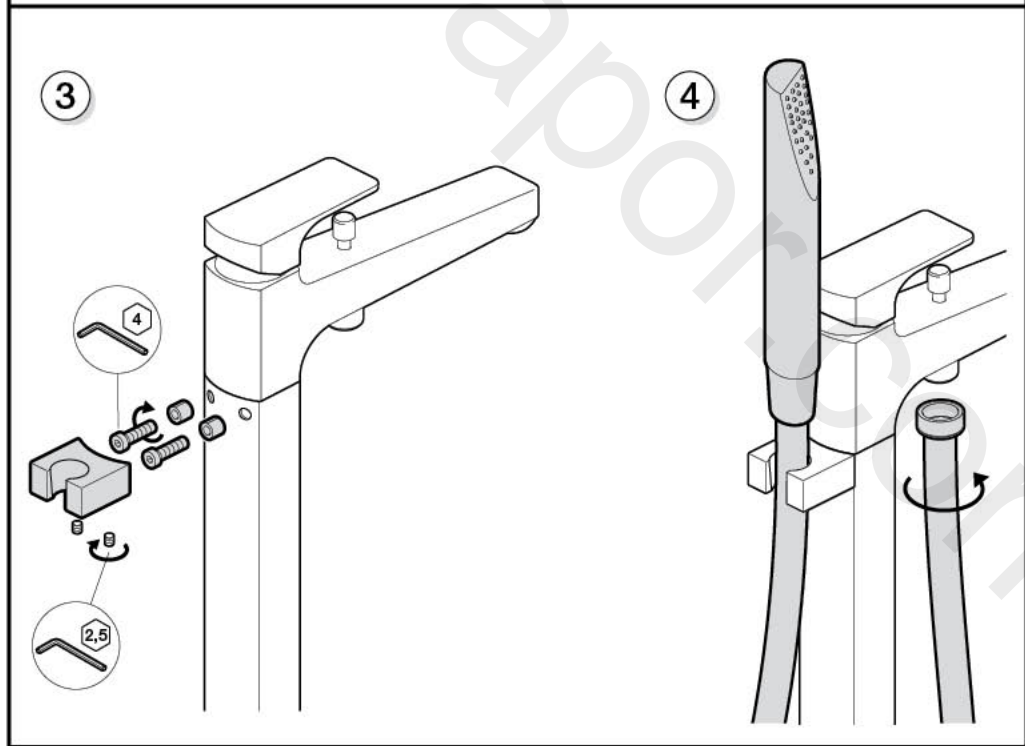
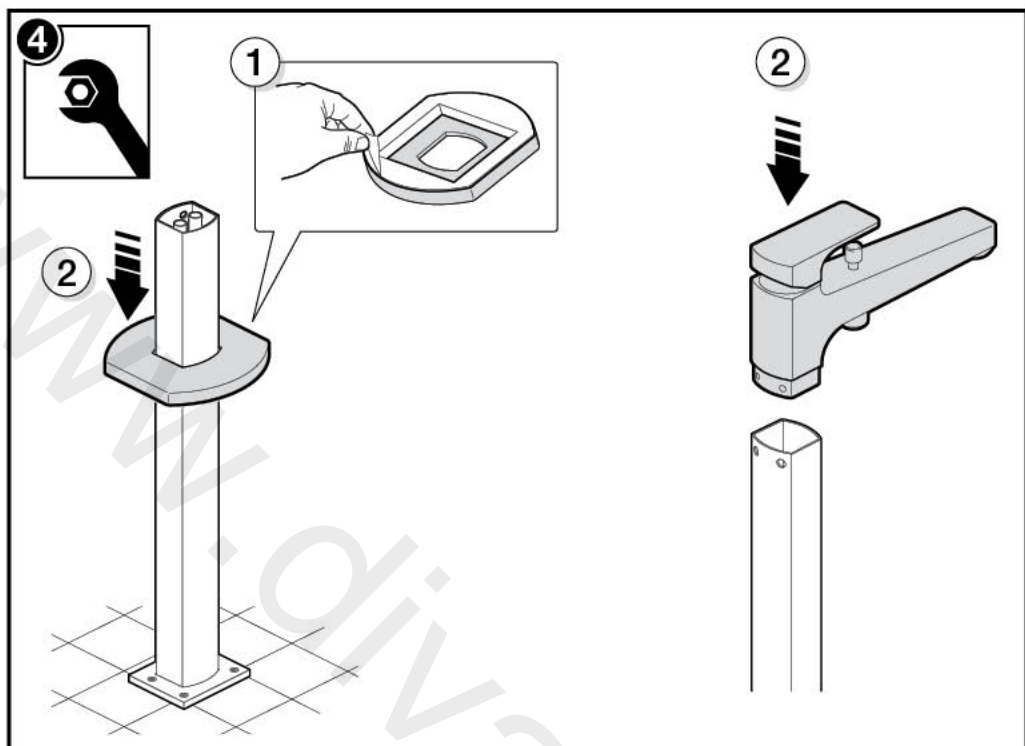
2

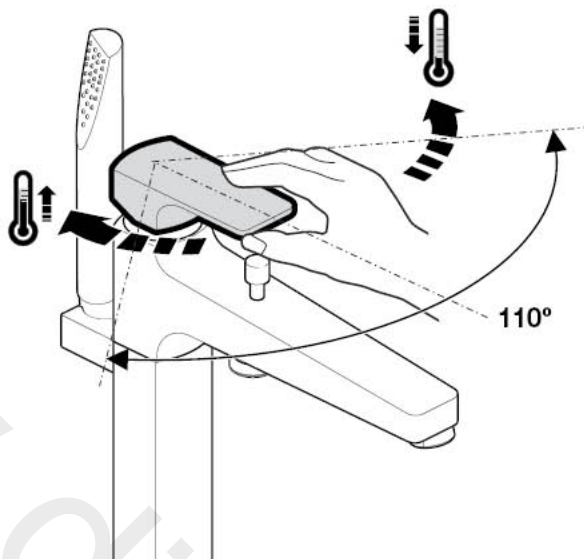


3

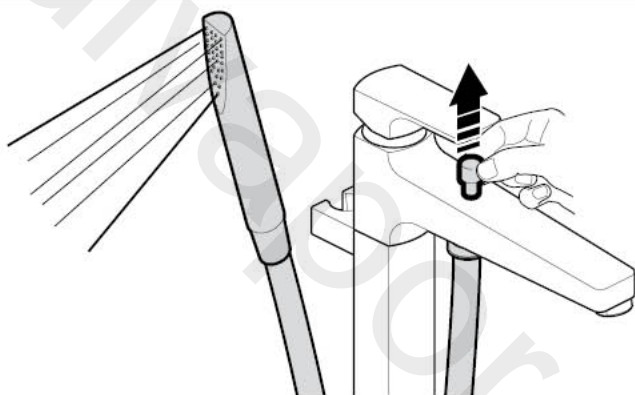




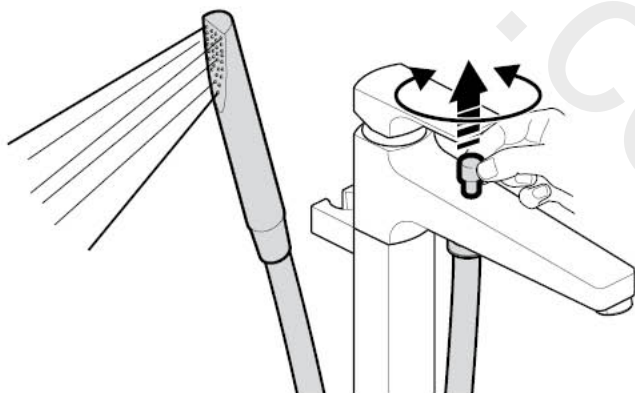


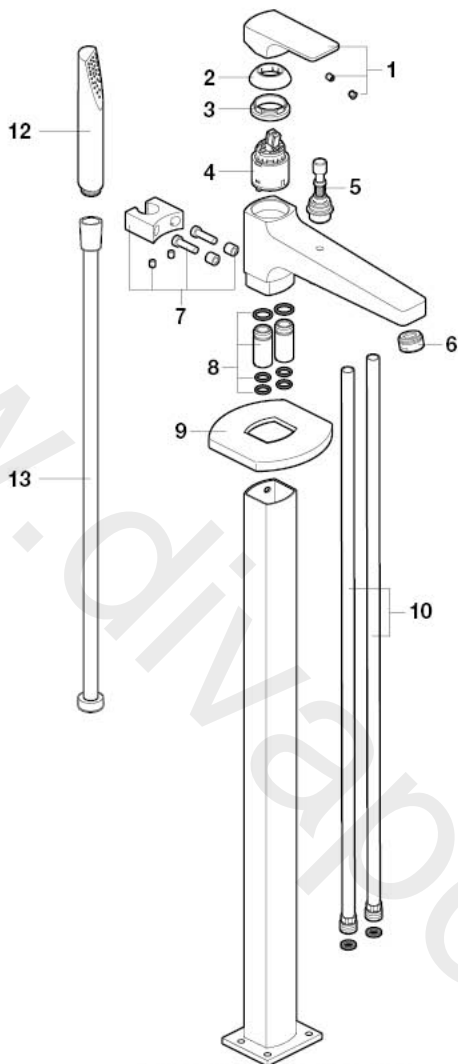


$P \geq 0,5$ bar

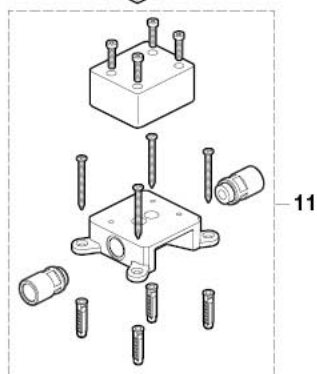


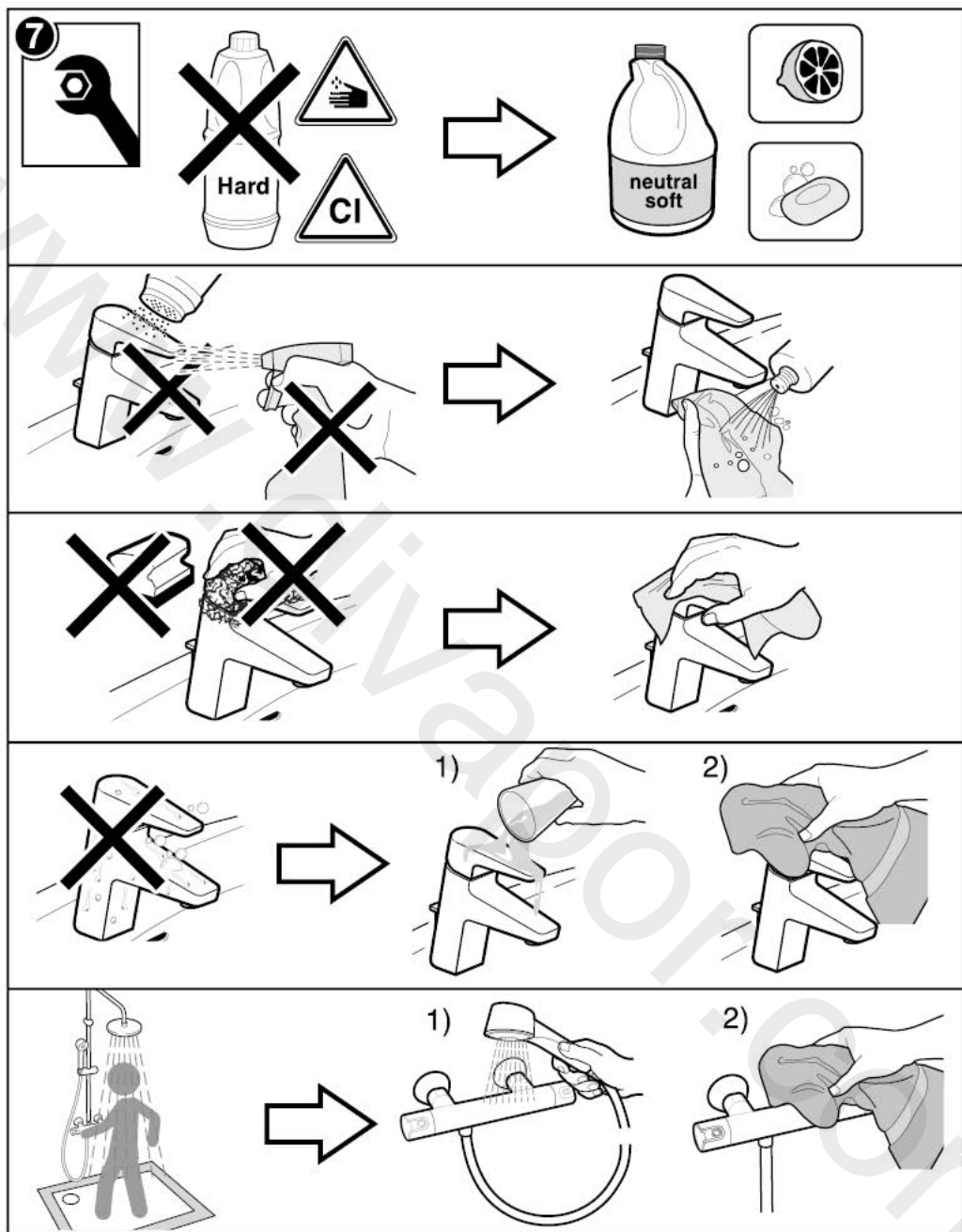
$P < 0,5$ bar





- | | | |
|----|---|------------|
| 1 | - | AG0016200R |
| 2 | - | AG0032100R |
| 3 | - | A525027803 |
| 4 | - | AG0077807R |
| 5 | - | AG0128300R |
| 6 | - | A525003600 |
| 7 | - | AG0128000R |
| 8 | - | AG0128103R |
| 9 | - | AG0128200R |
| 10 | - | AG0128400R |
| 11 | - | AG0128503R |
| 12 | - | A5B9047C00 |
| 13 | - | A525009800 |





Roca

Roca Sanitario, S.A.
 Avda. Diagonal, 513
 08029 Barcelona
 SPAIN
www.roca.com

**902
304
848** LÍNEA DE
 ATENCIÓN AL
 CONSUMIDOR
 ESPAÑA

**902
400
423** SERVICIO
 TÉCNICO
 ESPAÑA


productsupport.rs@roca.net
soporteproducto.rs@roca.net