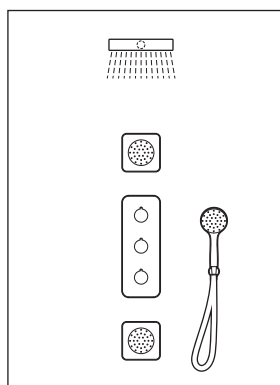
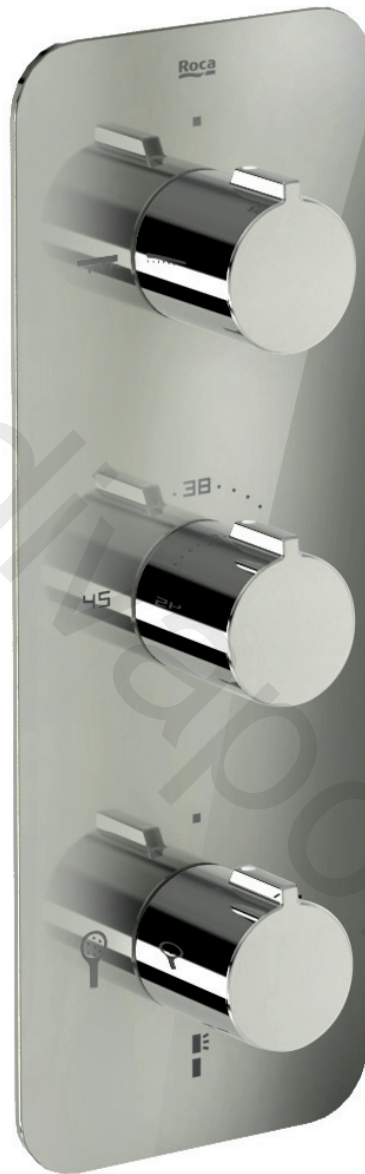
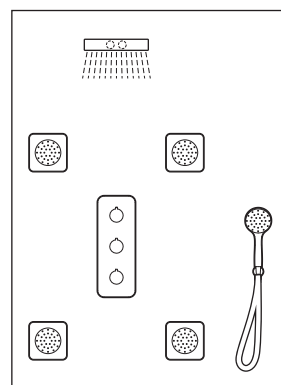


**Roca**

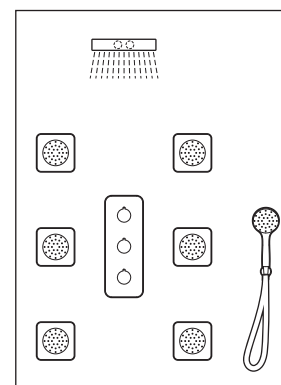
# PUZZLE



**A5A2778C00**



**A5A2878C00**

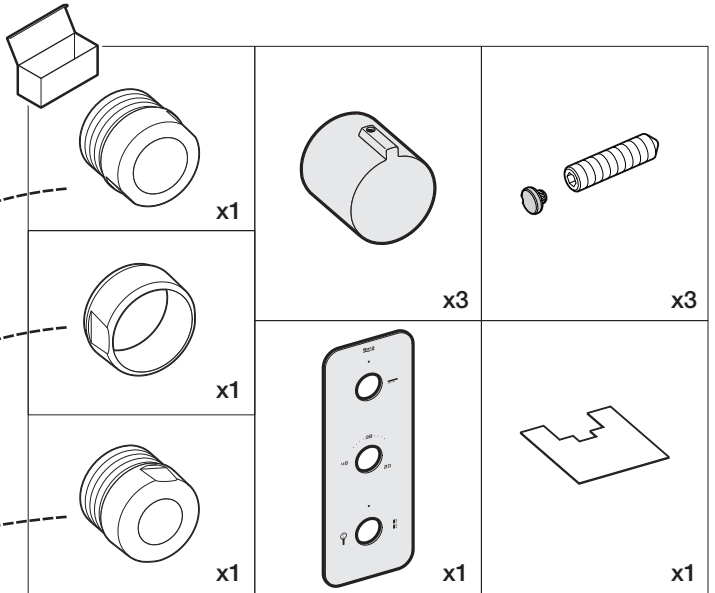
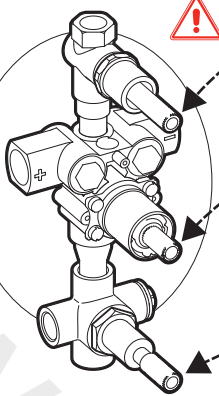
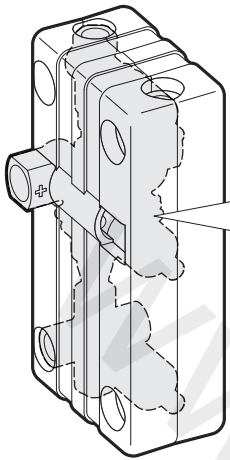


**A5A2978C00**

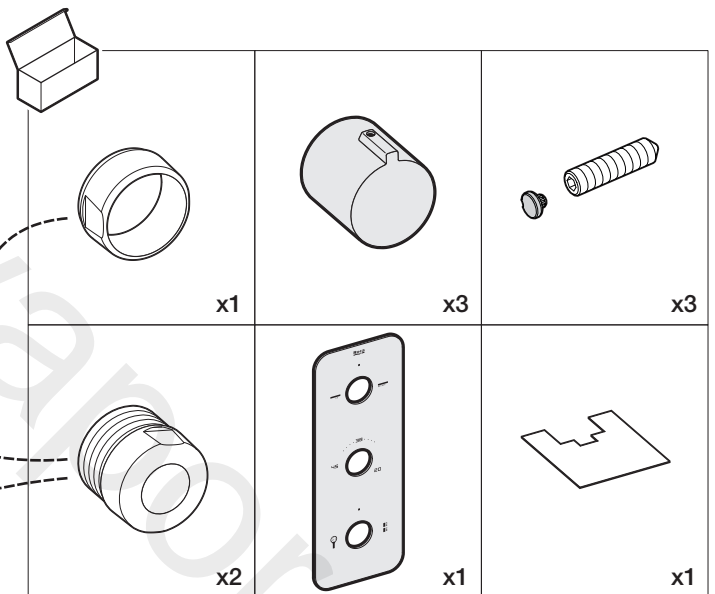
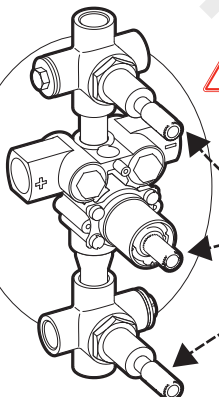
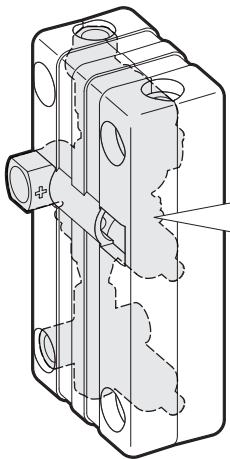




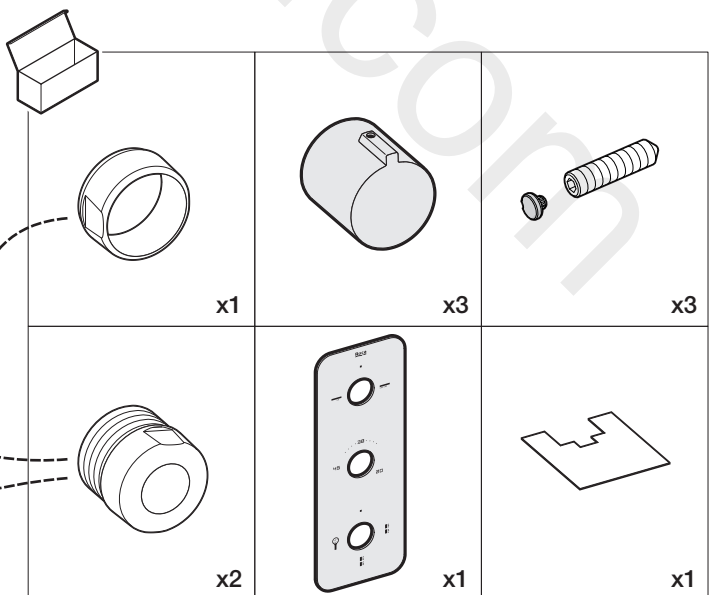
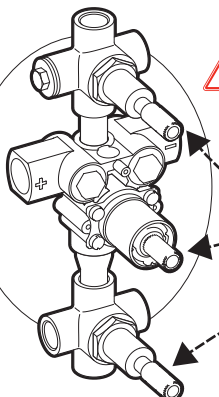
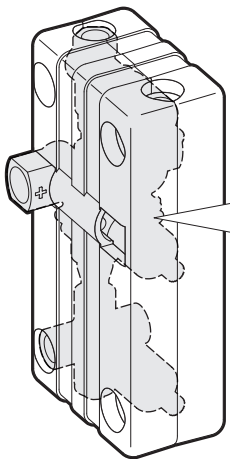
**A5A2778C00**

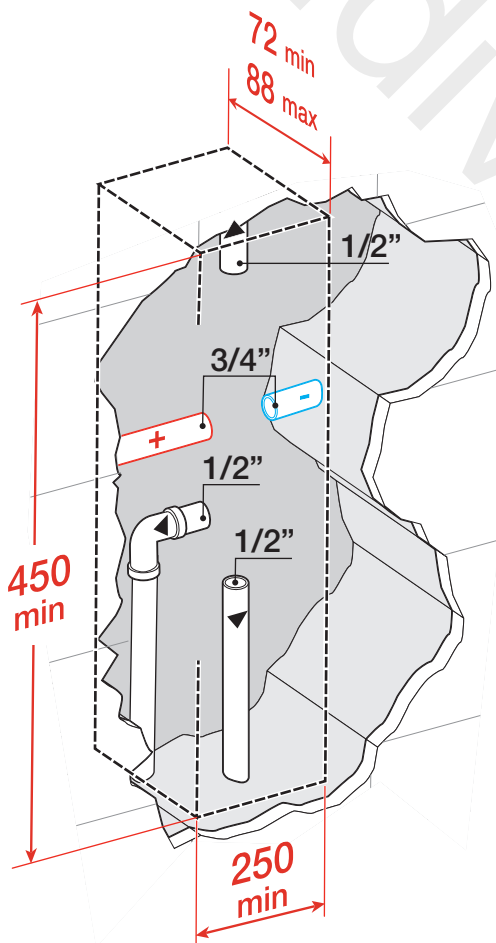
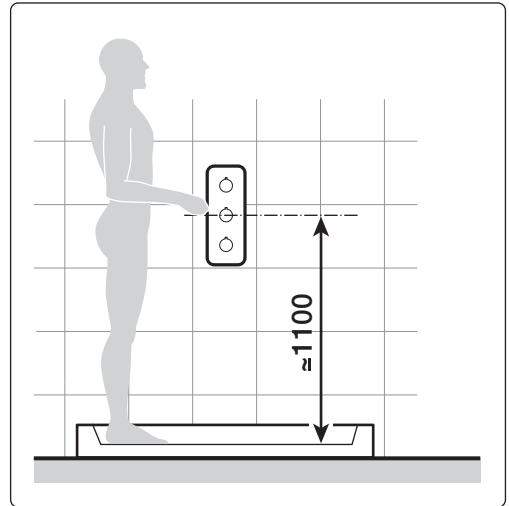
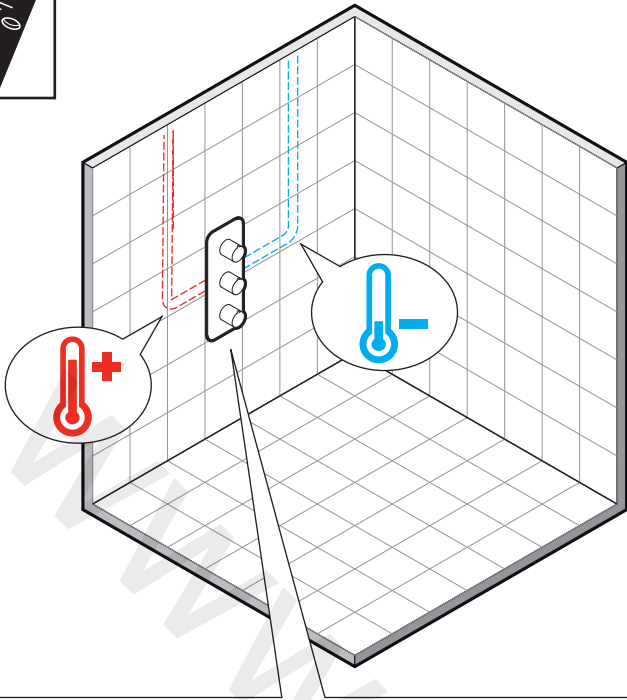


**A5A2878C00**

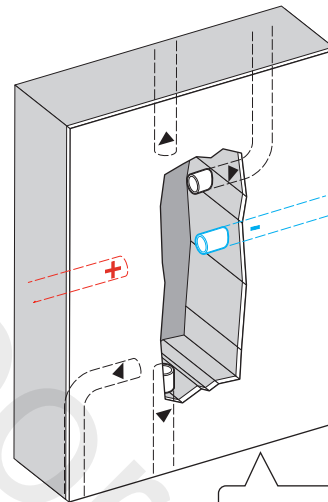


**A5A2978C00**

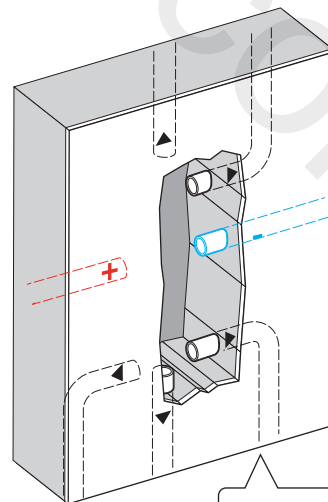




**A5A2778C00**

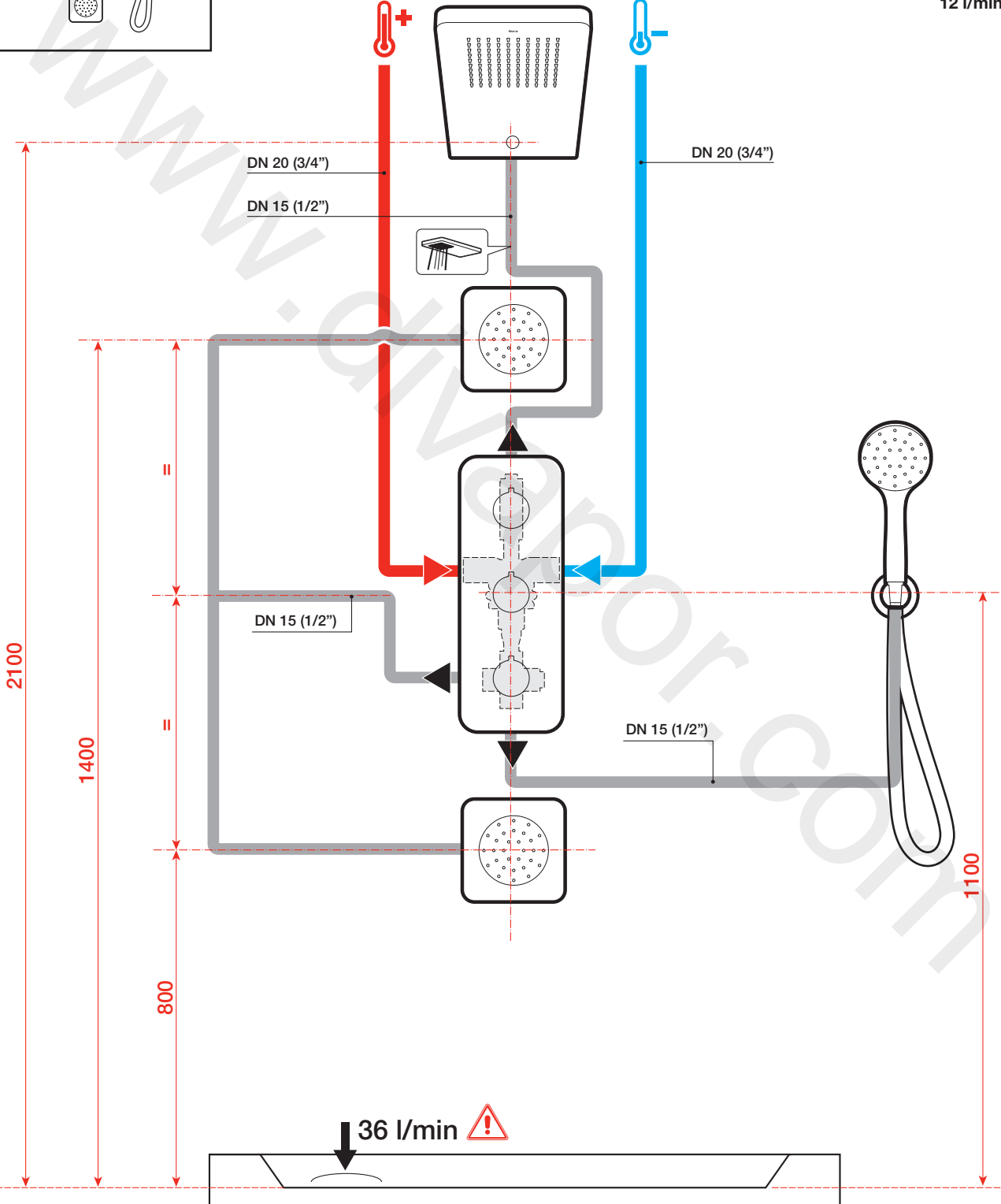
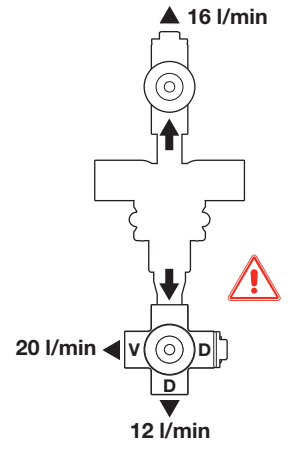
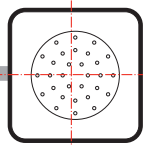
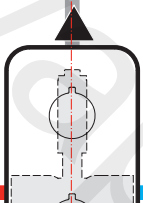
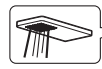
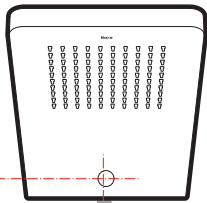
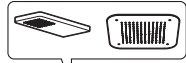
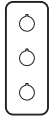


**A5A2878C00**

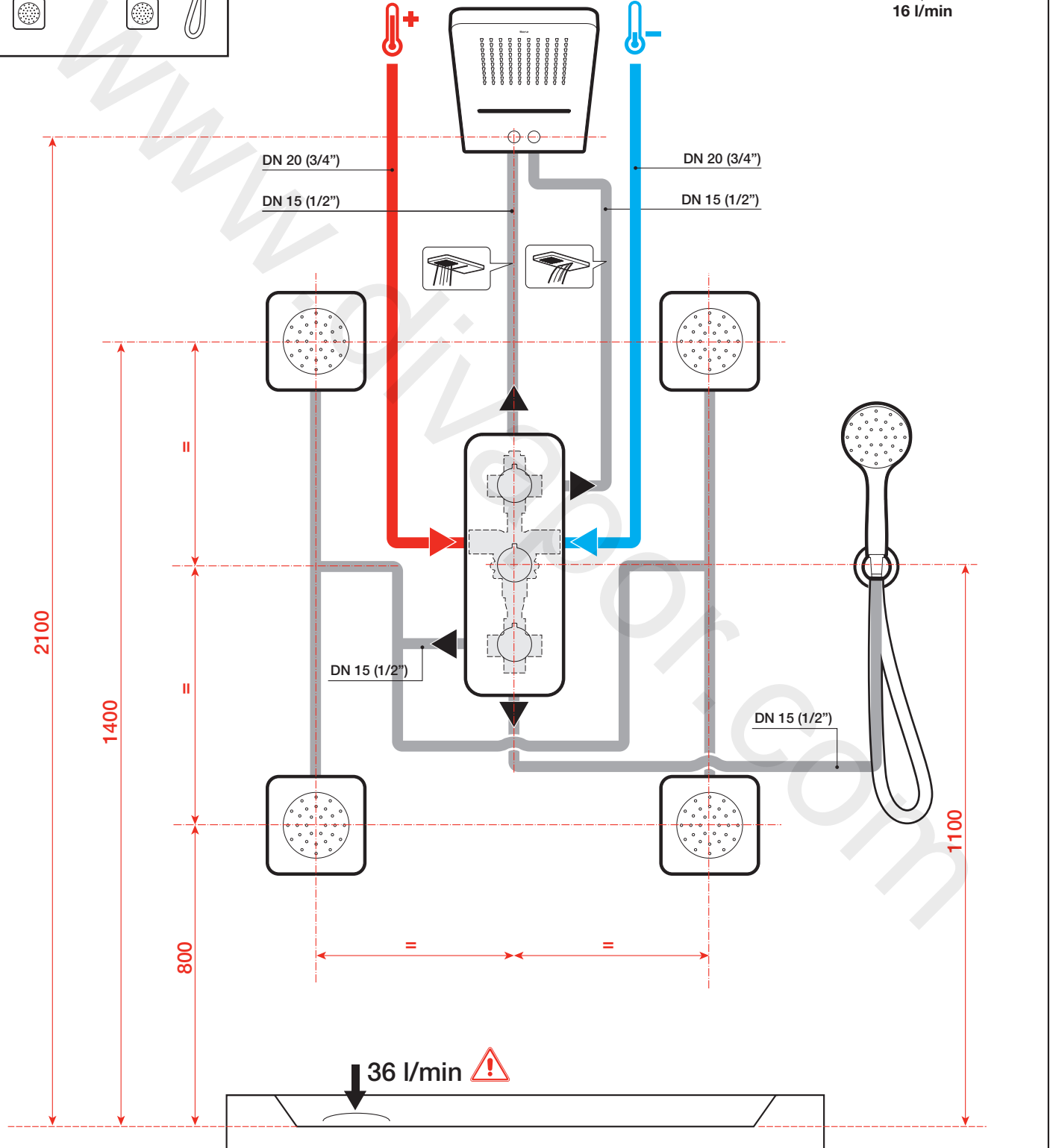
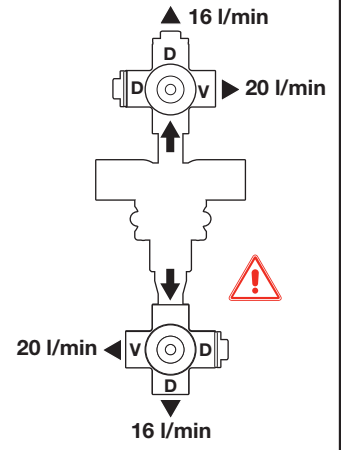
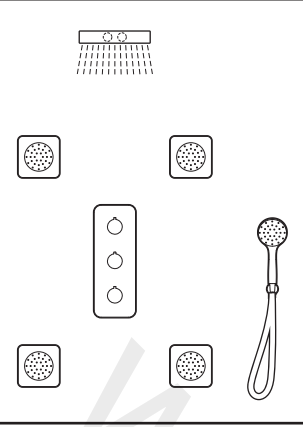


**A5A2978C00**

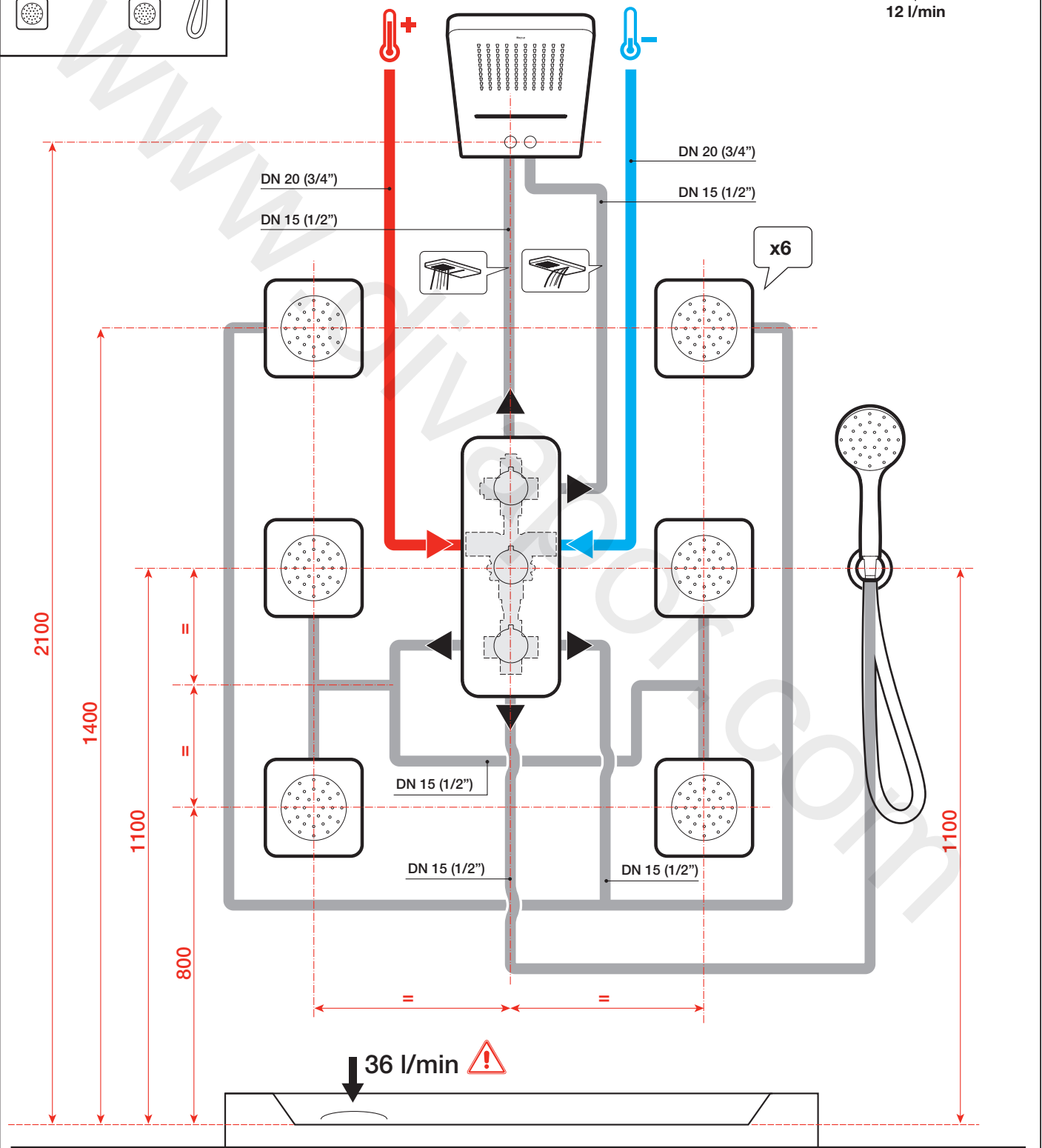
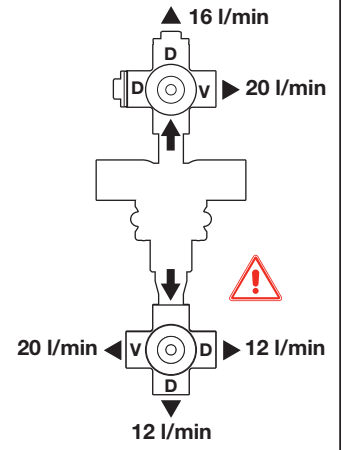
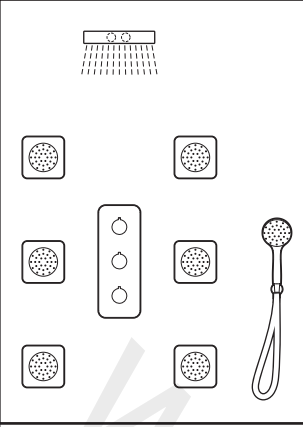
A5A2778C00



A5A2878C00

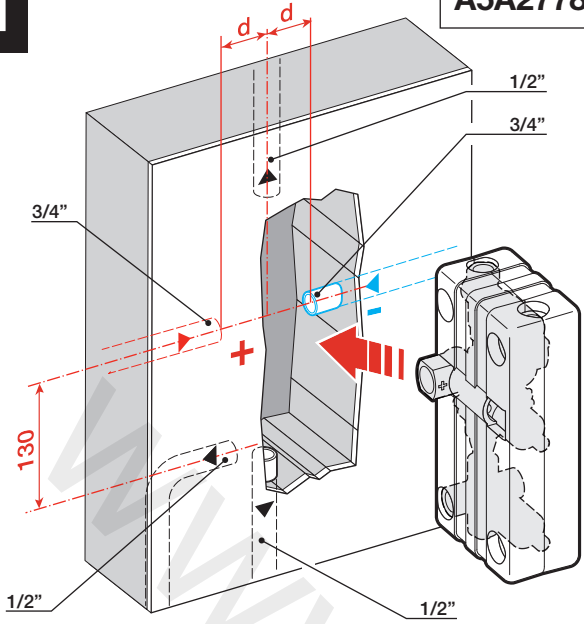


**A5A2978C00**

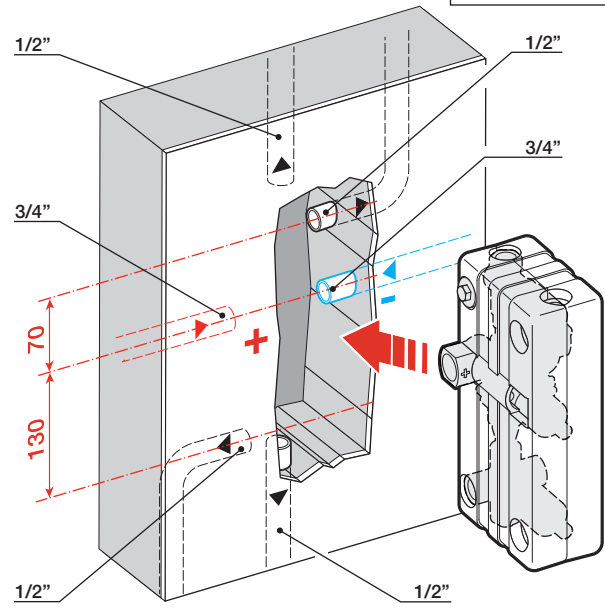


1

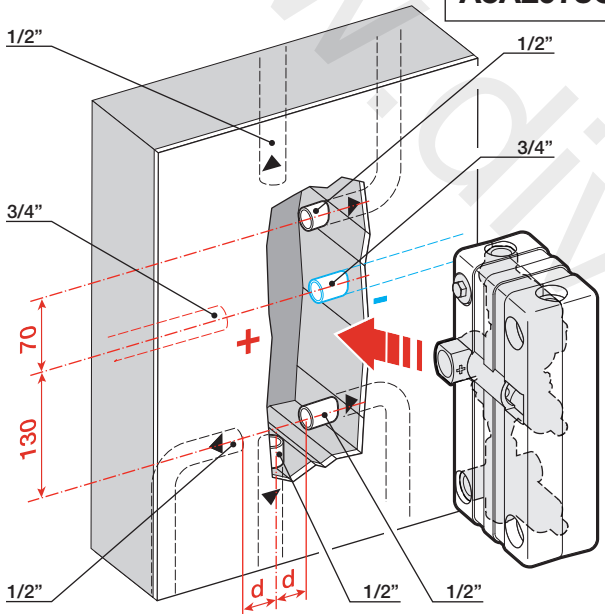
A5A2778C00



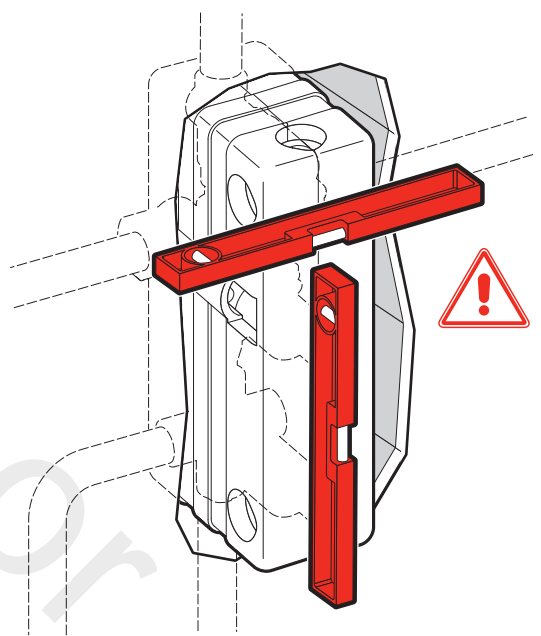
A5A2878C00



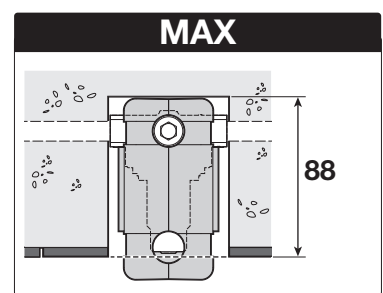
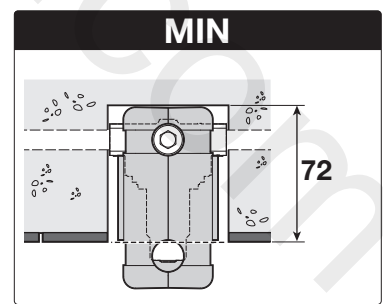
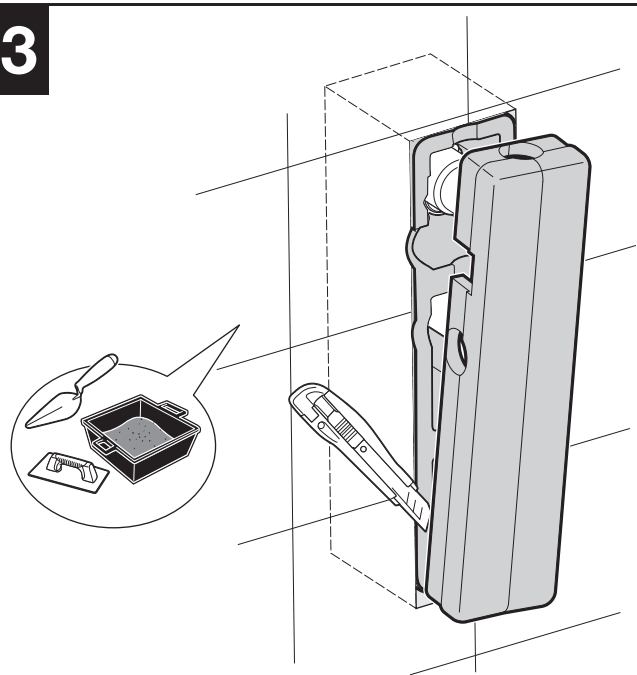
A5A2978C00



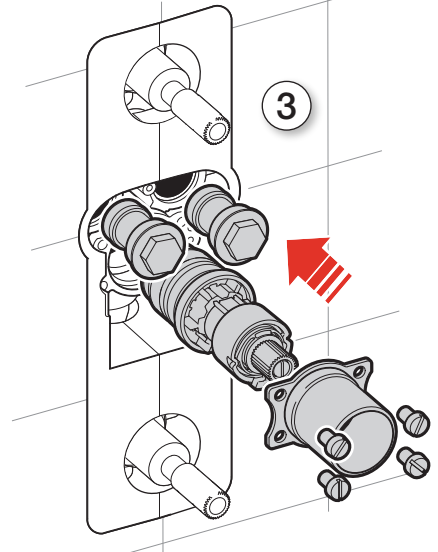
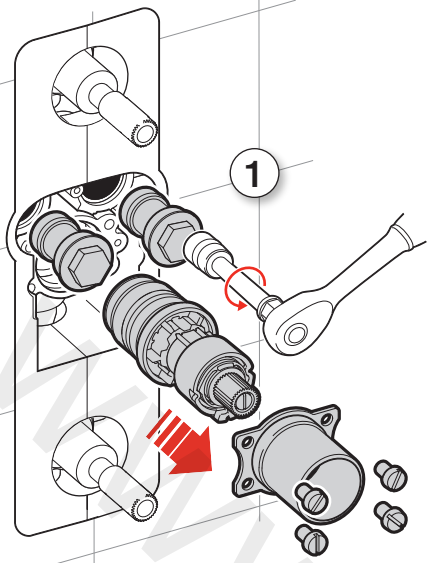
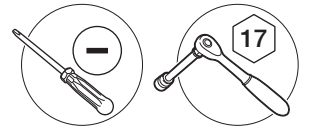
2



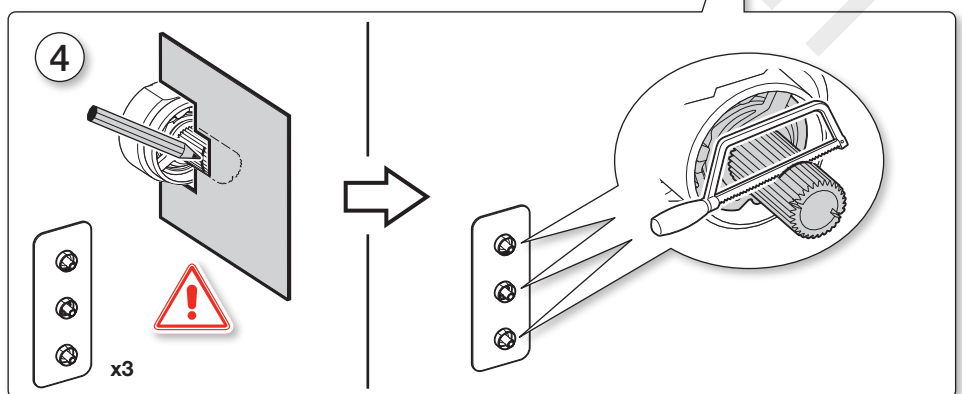
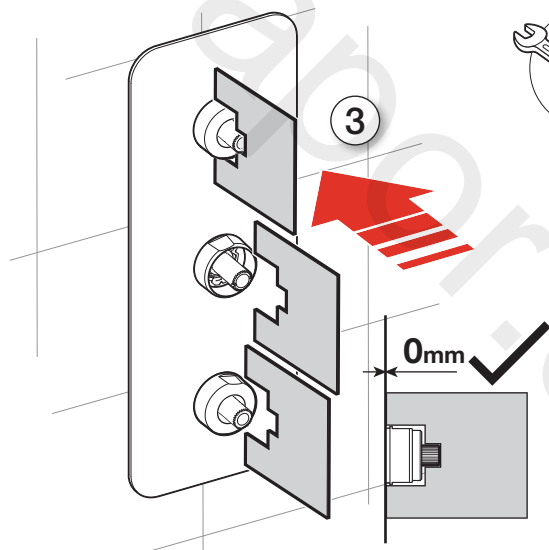
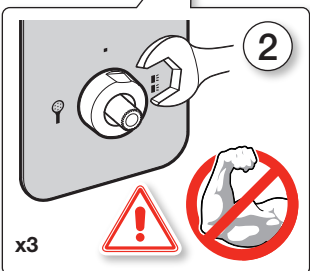
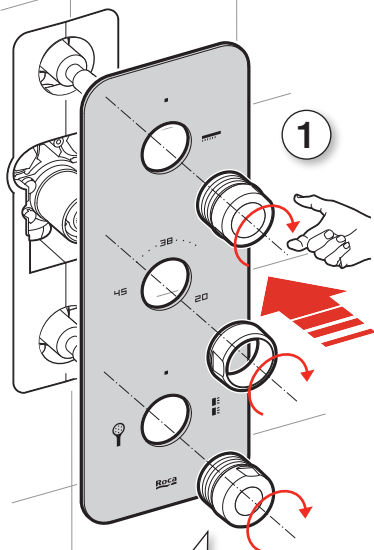
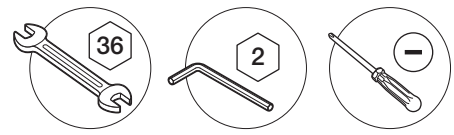
3



4

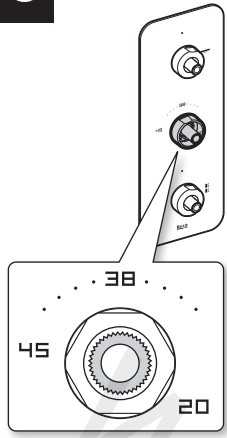


5

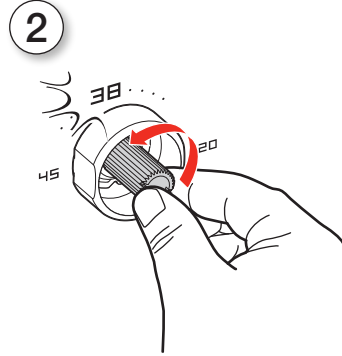




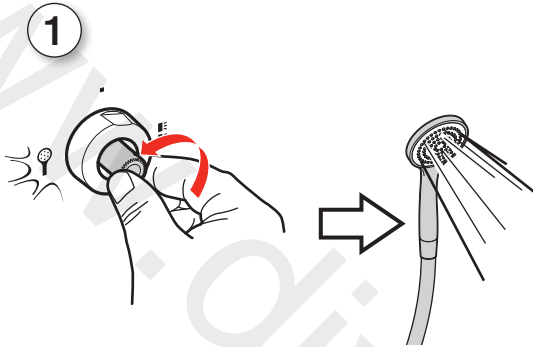
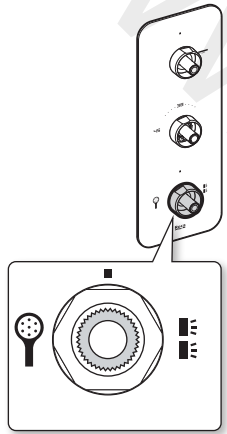
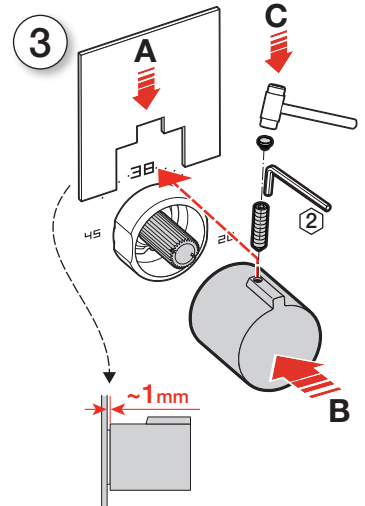
6



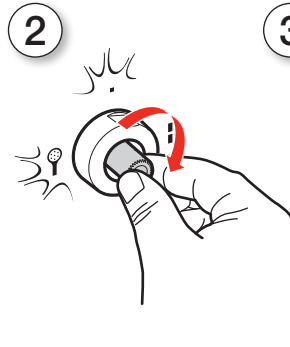
1  
**Girar hacia la DERECHA hasta encontrar el tope.**  
*Turn to the RIGHT until knob stops.*



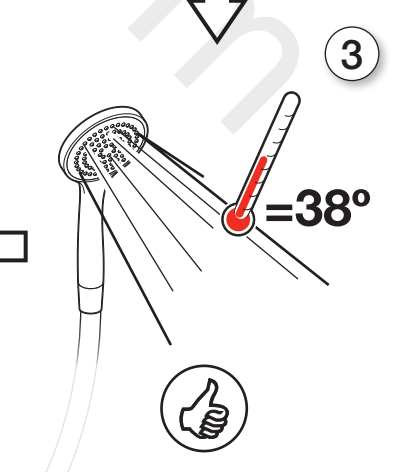
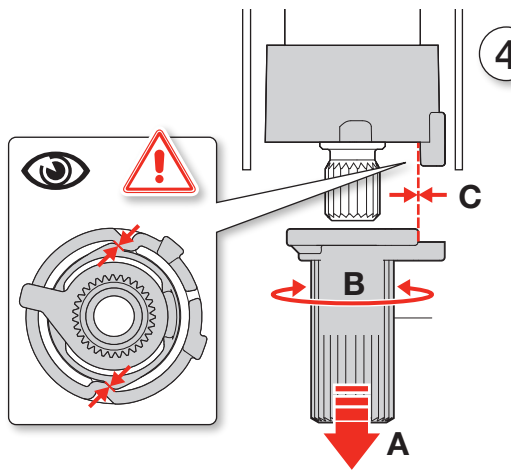
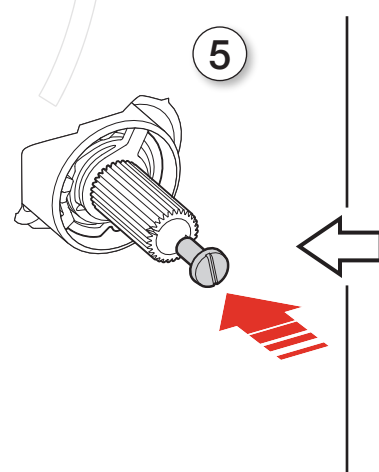
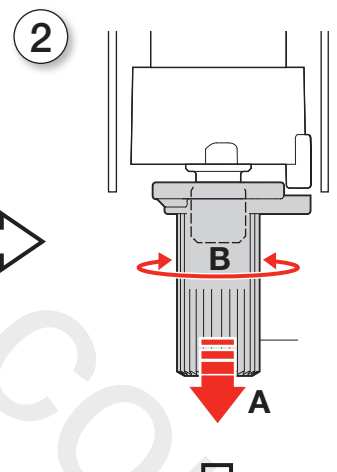
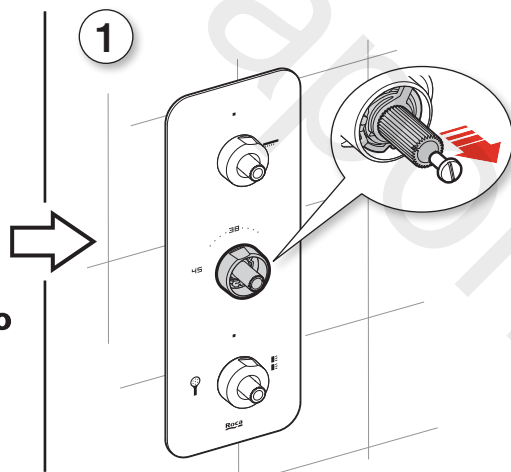
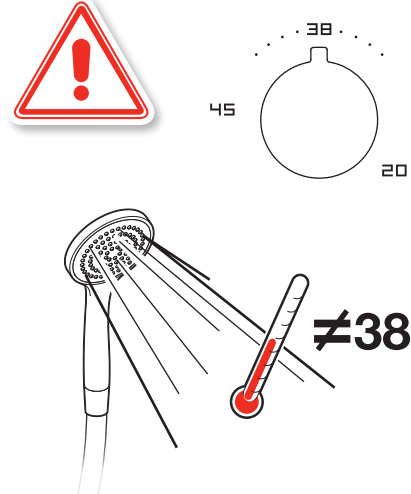
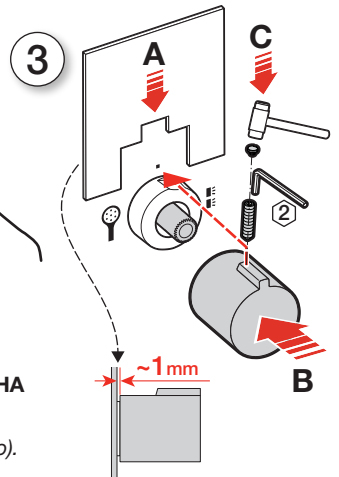
2  
**Girar hacia la IZQUIERDA hasta encontrar resistencia.**  
*Turn to the LEFT until a resistance is found.*

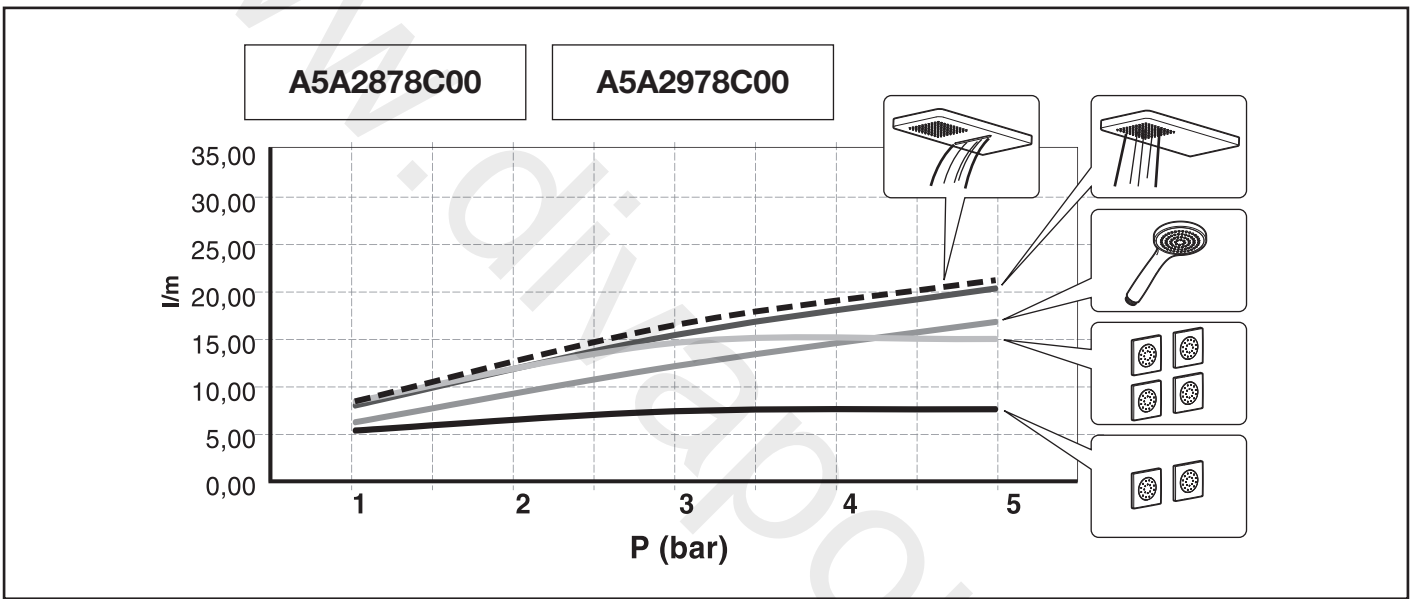
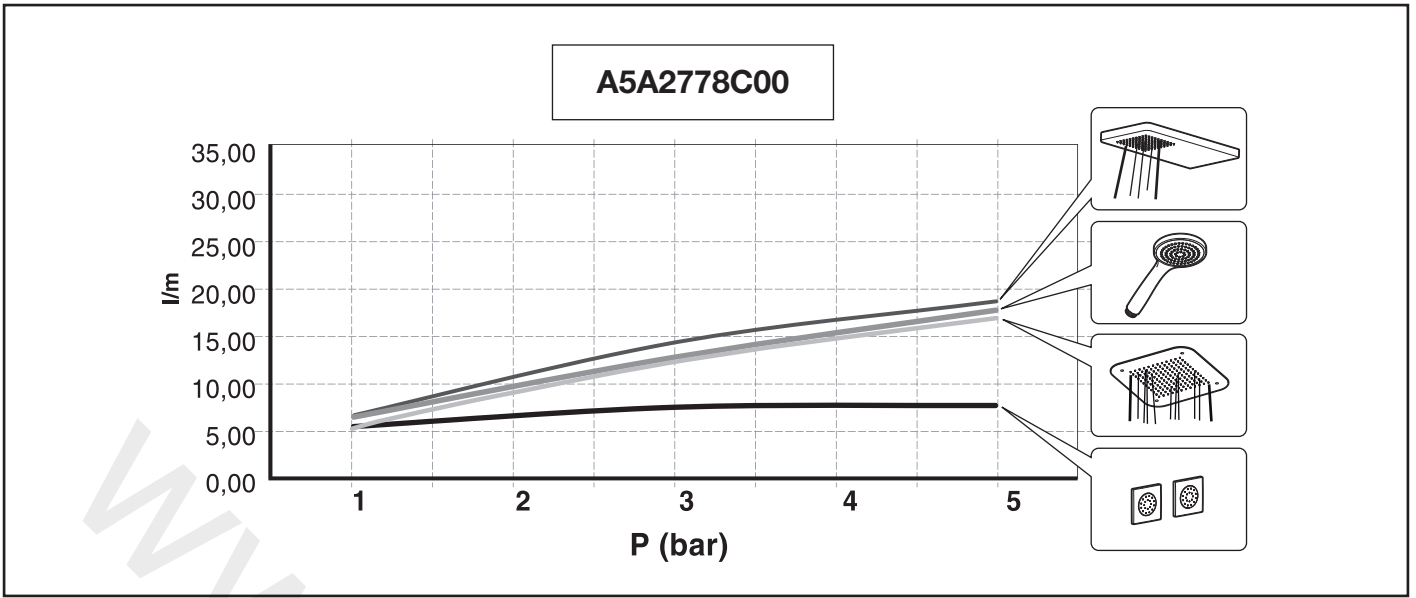










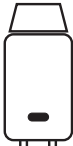




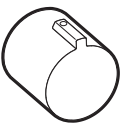
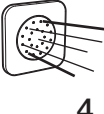




1  
**Girar hacia la IZQUIERDA.**  
*Turn to the LEFT.*



2  
**Girar hacia la DERECHA (Stop).**  
*Turn to the RIGHT (Stop).*

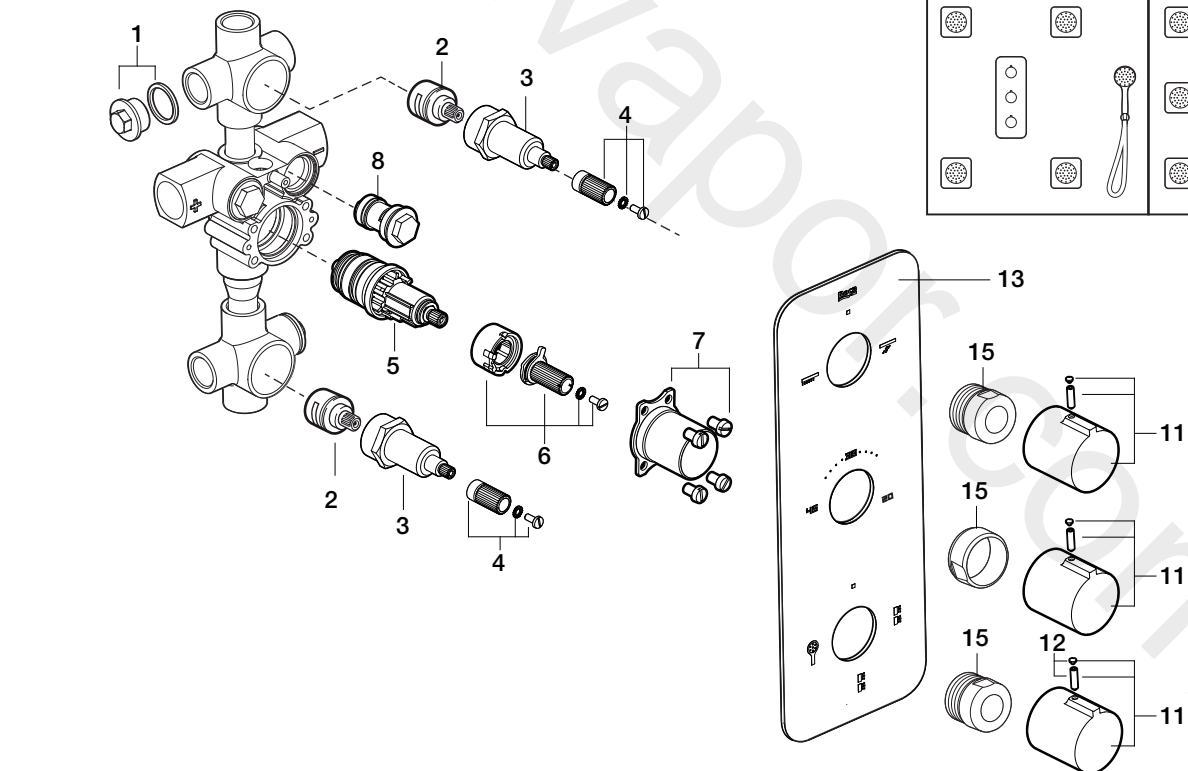
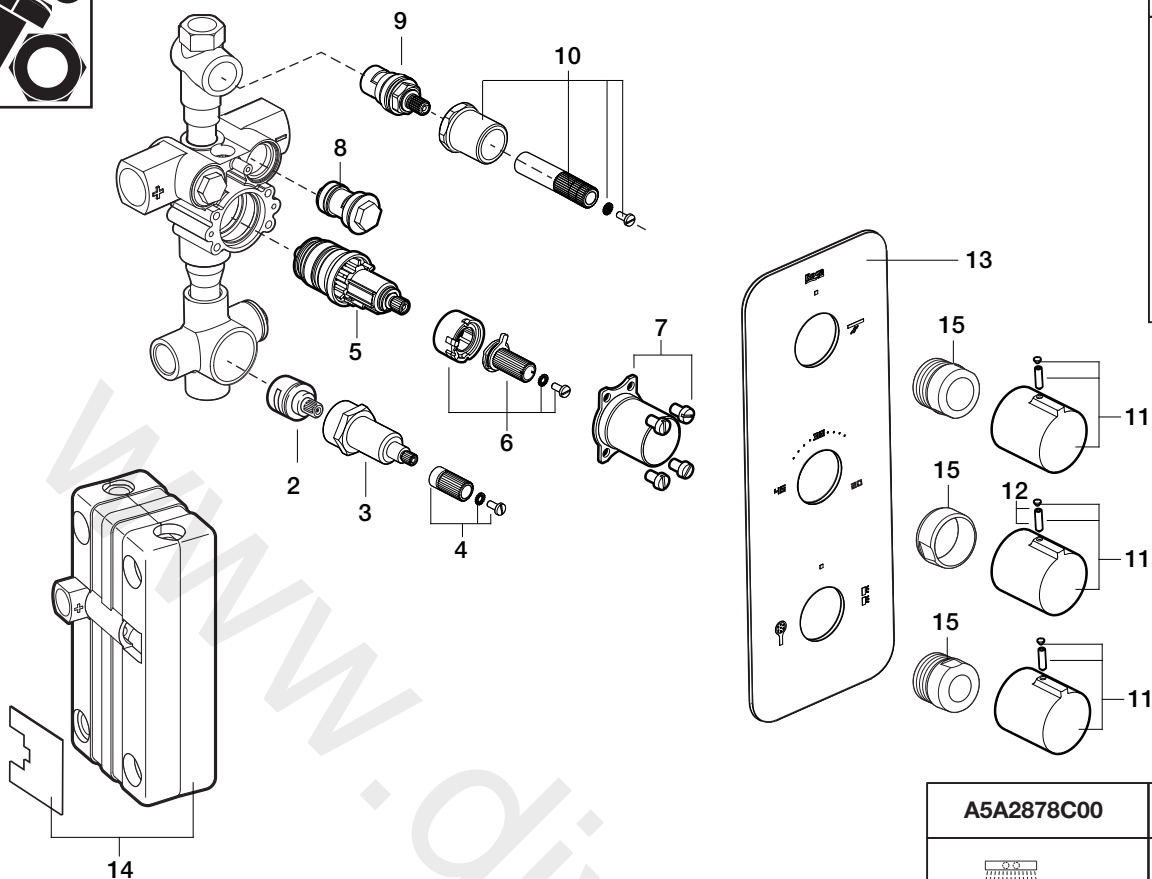




 <b>P</b> 	P bar	 MAX 10	
 <b>P</b> 	P bar	MIN 1  5 MAX	 3 2 
  <b>T</b>	°C	 80 MAX.	 65 50 
 <b>Q</b> (3 bar)	l/min	 4	 12
		 16	 15
			 12



A5A2778C00



1 - AG0094803R	7 - AG0039603R	13 - AG0095100R (A5A2778C00)
2 - AG0039900R	8 - A525018003	AG0095200R (A5A2878C00)
3 - AG0041103R	9 - AG0020903R	AG0095300R (A5A2978C00)
4 - AG0102403R	10 - AG0094903R	14 - AG0095400R
5 - A525028003	11 - AG0039500R	15 - AG0102507R
6 - AG0012303R	12 - AG0095000R	

