

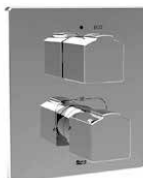
Roca

ROCA BOX UNIVERSAL THERMOSTATIC MIXER

L 90-T



A5A0C01C0.



A5A2C01C0.

T-2000



A5A0C88C0.

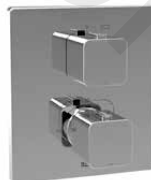


A5A2C88C0.

T-1000 SQUARE



A5A0C1AC0.



A5A2C1AC0.

T-1000



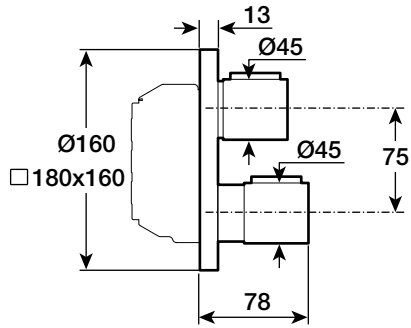
A5A0C09C0.



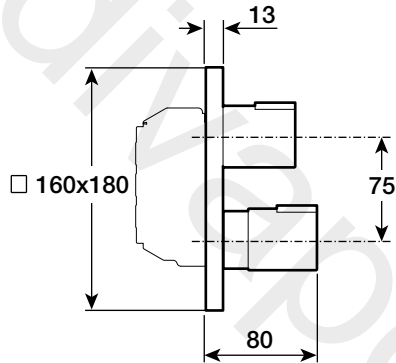
A5A2C09C0.

T-1000 / T-2000

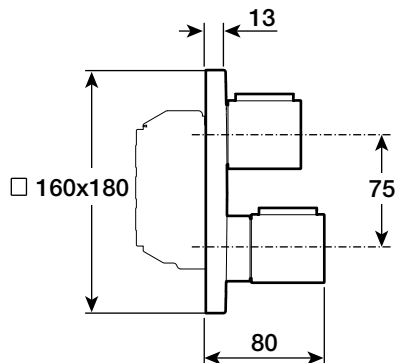
[mm]



L90-T



T-1000 SQUARE

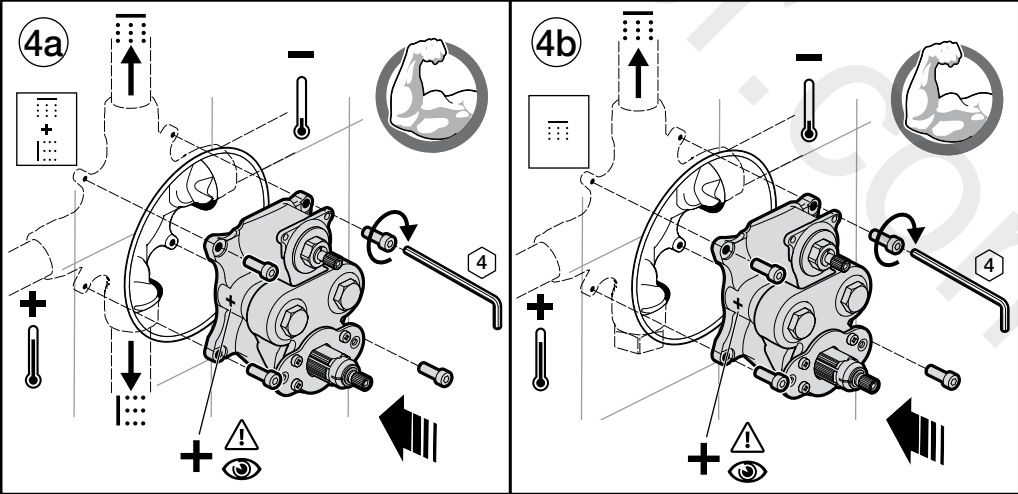
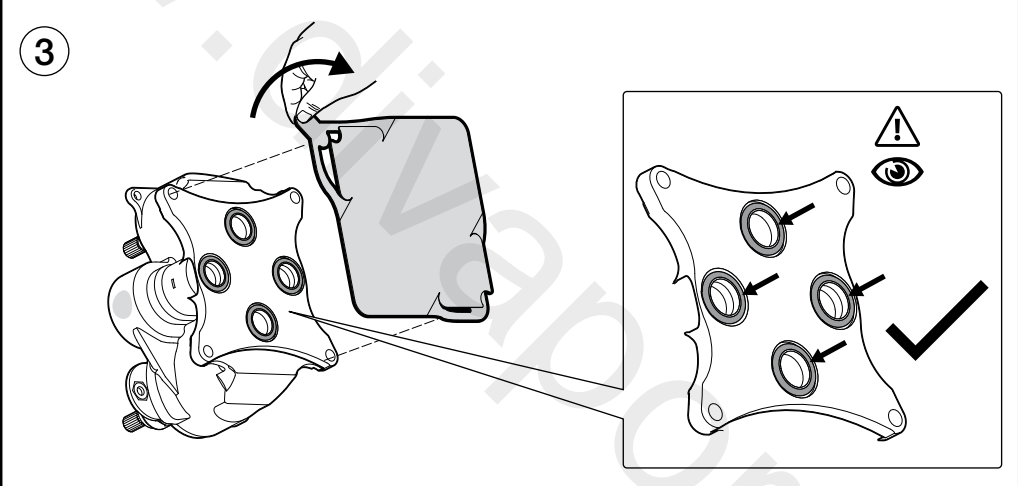
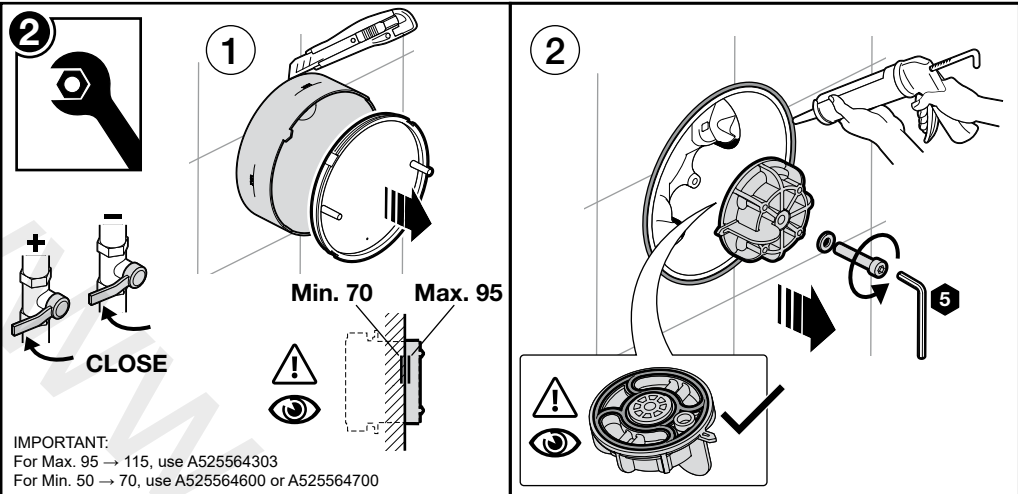


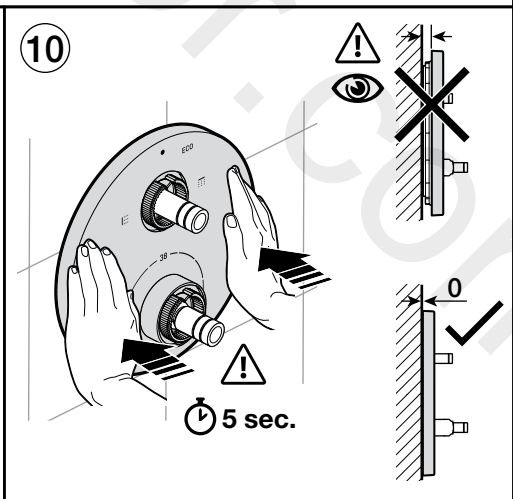
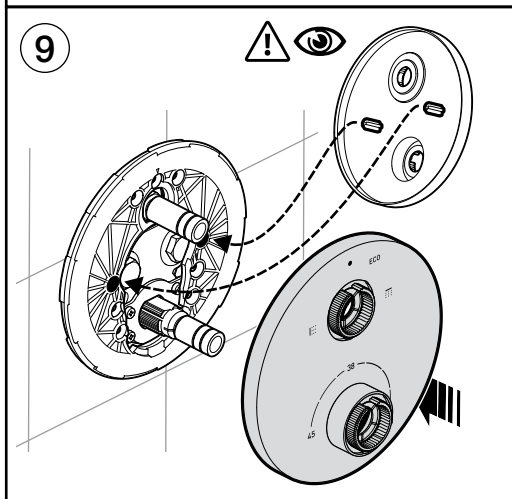
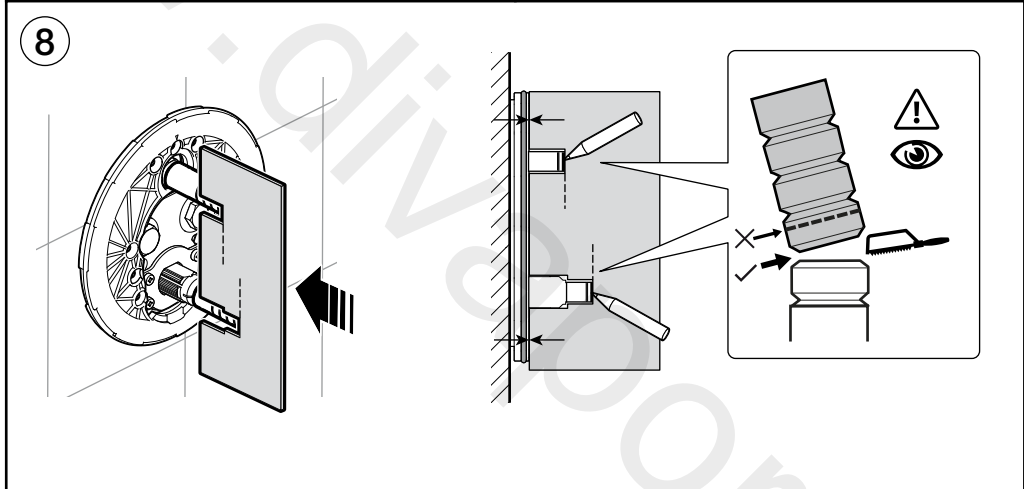
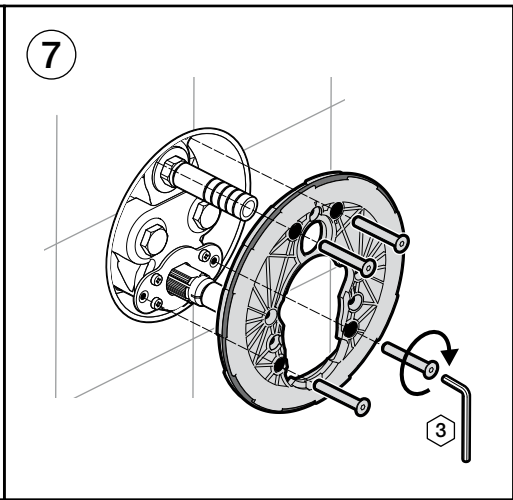
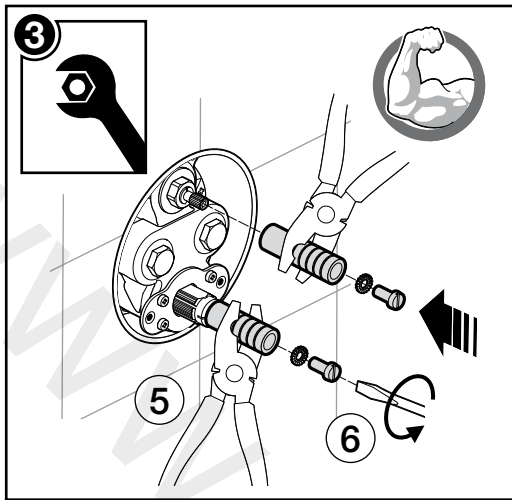
1



	L90-T	 x1	 x1	 x2	
	T-1000	 x1	 x1		
	T-2000	 x1	 x1	 x2	
	T-1000 SQUARE	 x1	 x1	 x2	

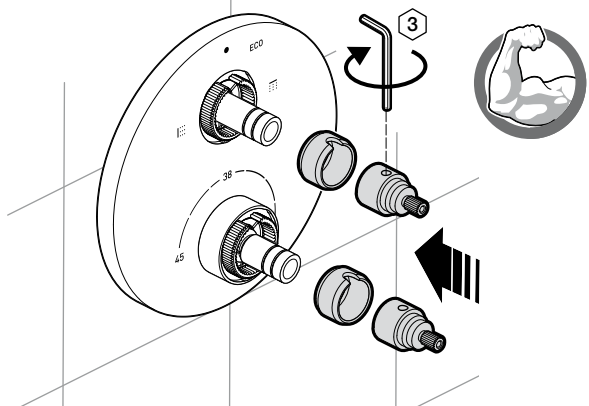
 x4	 x4	 x2
 x1	 x1	 x2
 x2	 x1	 x1
 x2	 x1	 x1
T-1000 / T-2000	L90-T	T-1000 SQUARE
 x2	 x2	 x2







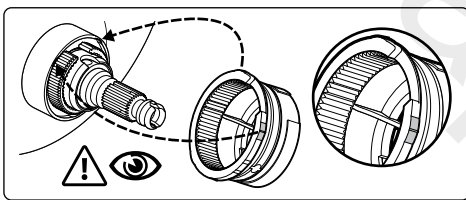
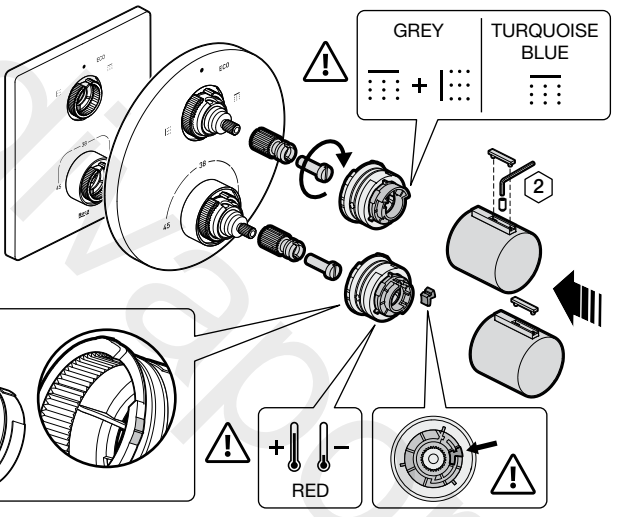
11



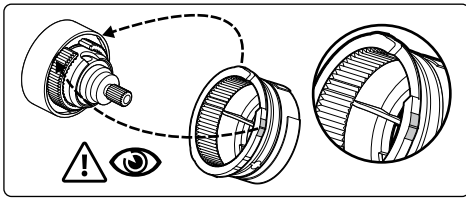
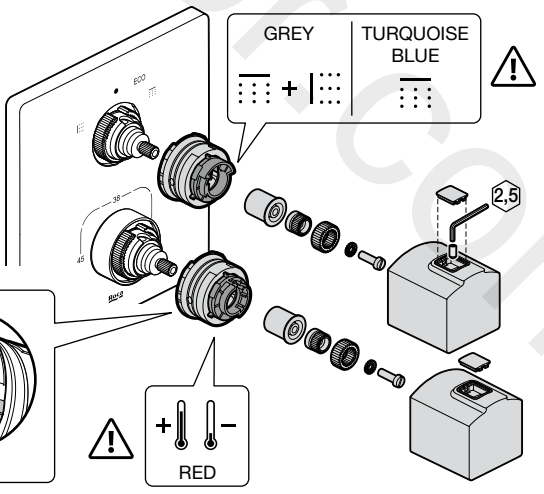
12

T-1000

T-2000



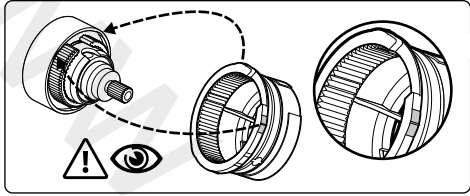
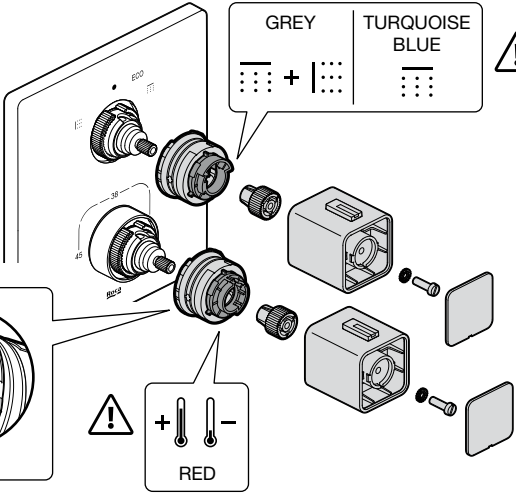
L90-T



5



T-1000 SQUARE

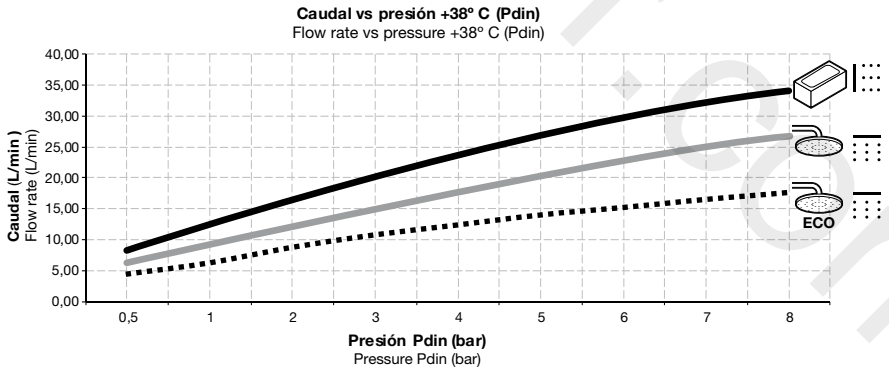
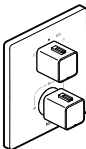
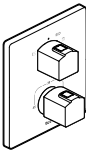
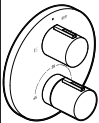
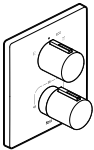


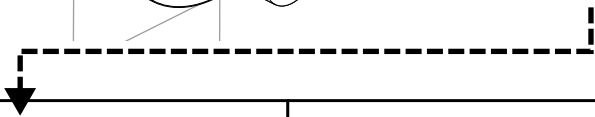
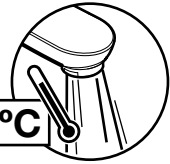
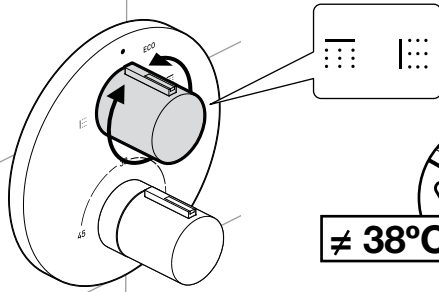
divaport.com

6

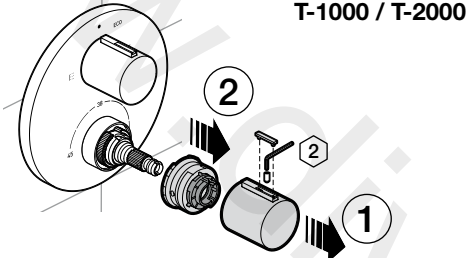


P	bar	10 MAX.	
P	bar	5 MAX. 1 MIN.	3 2
		P P P $- P \leq 2$	
T HOT	°C	80 MAX. 45 MIN.	65 50

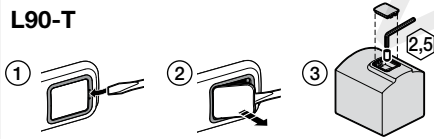




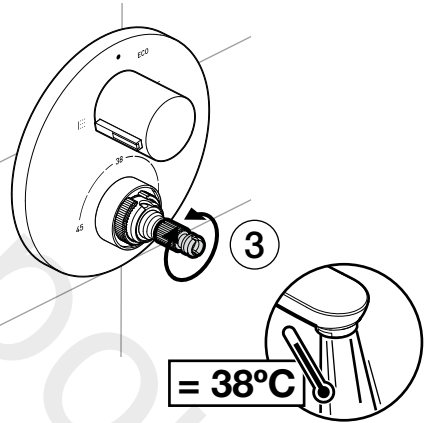
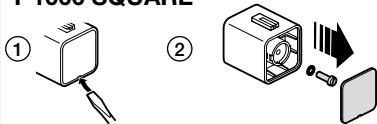
T-1000 / T-2000



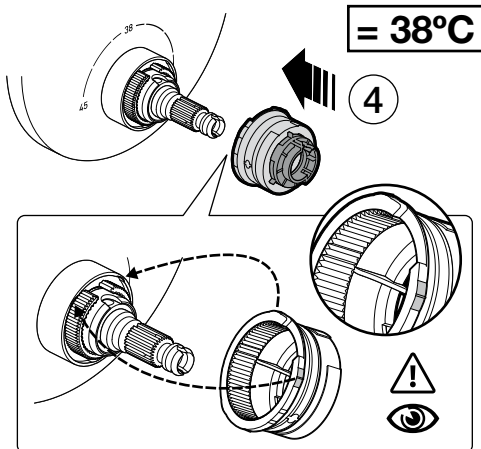
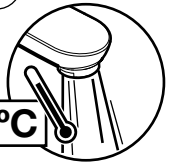
L90-T



T-1000 SQUARE

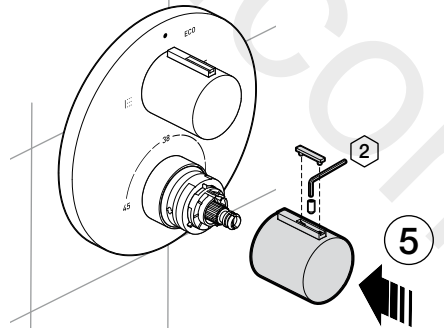


= 38°C

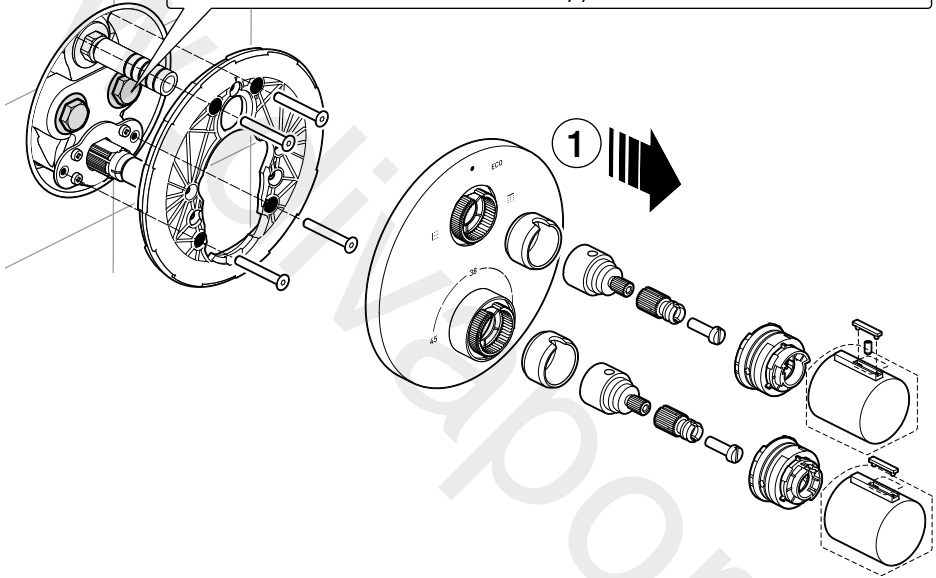
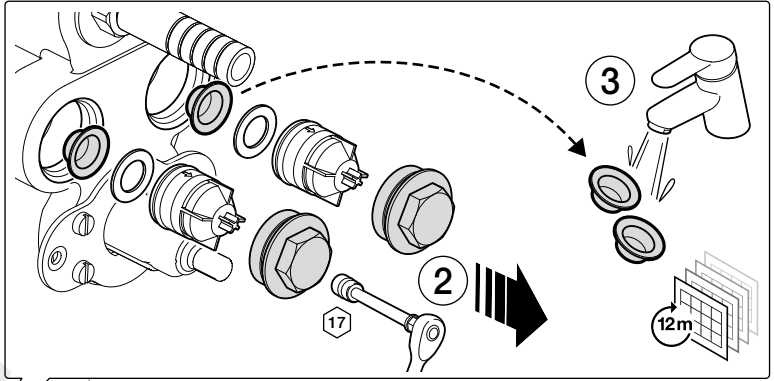


= 38°C

4



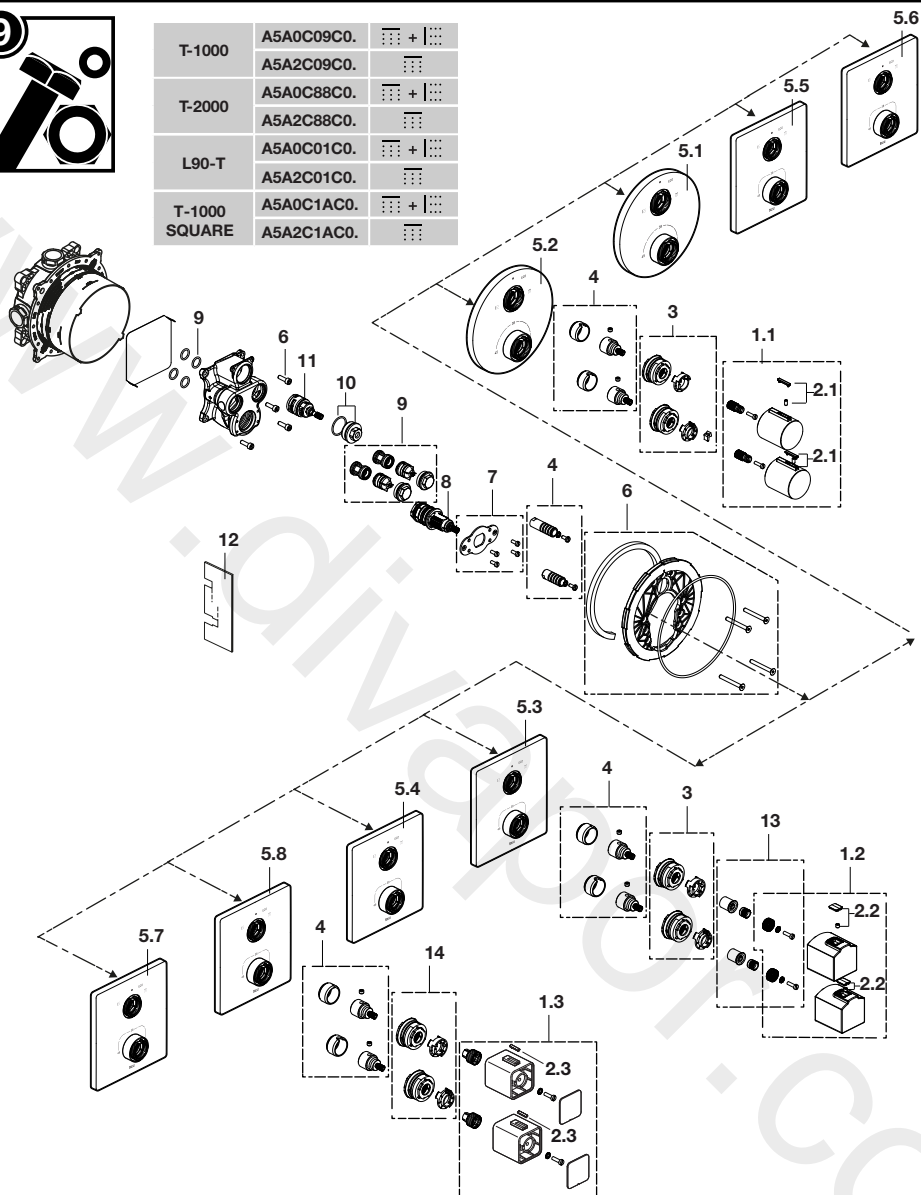
5



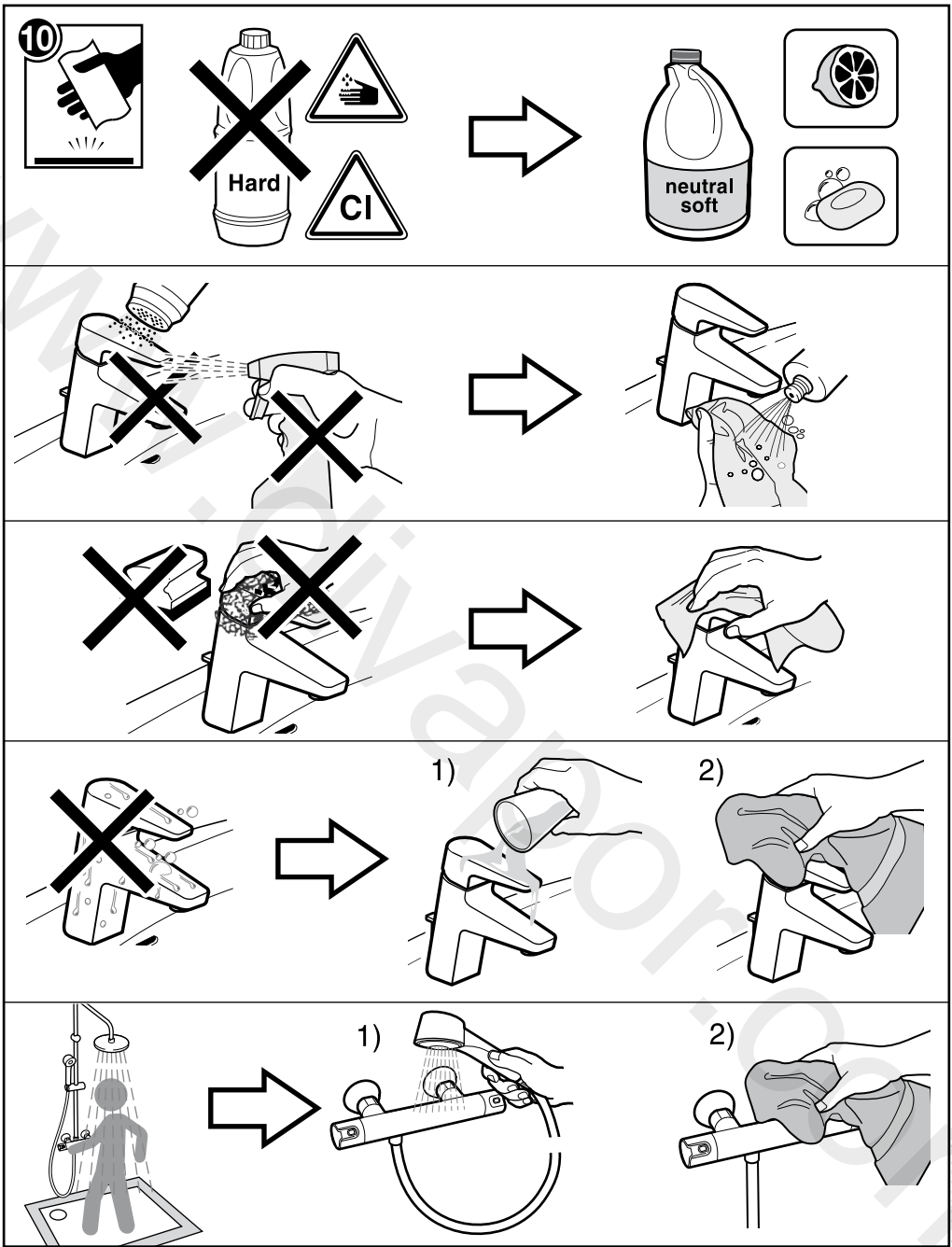
www.gripbor.com



T-1000	A5A0C09C0.	☐ + ☐
	A5A2C09C0.	☐
T-2000	A5A0C88C0.	☐ + ☐
	A5A2C88C0.	☐
L90-T	A5A0C01C0.	☐ + ☐
	A5A2C01C0.	☐
T-1000 SQUARE	A5A0C1AC0.	☐ + ☐
	A5A2C1AC0.	☐



1.1	AG0132300R	T-1000 / T-2000	5.1	AG0132900R	T-1000	☐	7	AG0132003R		
1.2	AG0132500R	L90-T	5.2	AG0132200R	T-1000	☐ + ☐	8	AG0131603R		
1.3	AG0159700R	T-1000 SQUARE	5.3	AG0132600R	L90-T	☐ + ☐	9	AG0132107R		
2.1	AG0091307R	T-1000 / T-2000	5.4	AG0133000R	L90-T	☐	10	AG0030603R		
2.2	AG0084200R	L90-T	5.5	AG0134200R	T-2000	☐ + ☐	11	AG0131903R		
2.3	AG0159800R	T-1000 SQUARE	5.6	AG0134300R	T-2000	☐ + ☐	12	AG0132707R		
3	AG0132407R	☐ + ☐	5.7	AG0159900R	T-1000 SQUARE	☐ + ☐	13	AG0030303R		
4	AG0132803R	☐	5.8	AG0160000R	T-1000 SQUARE	☐	14	AG0160100R	T-1000 SQUARE	☐ + ☐
			6	AG0120900R				AG0160200R	T-1000 SQUARE	☐



AS230963071



Roca Sanitario, S.A.
 Avda. Diagonal, 513
 08029 Barcelona
 SPAIN
 www.roca.com

933 LÍNEA DE ATENCIÓN
661 AL CONSUMIDOR
266 ESPAÑA

SERVICIO TÉCNICO
 ESPAÑA




 productsupport.rs@roca.net
 soporteproducto.rs@roca.net