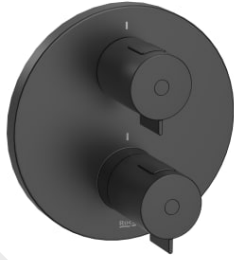
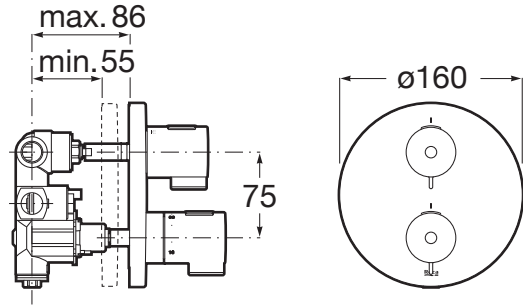


T-500

Built-in thermostatic bath-shower mixer (2 ways)
with automatic diverter



TECHNICAL DRAWINGS



FEATURES

- Application: Bath
- Diverter-flow regulator
- Faucet type: Thermostatic
- Installation type: Built-in
- Temperature selection
- Water and energy-saving



EverShine



Quick Reaction®



SafeTouch®



Security 38°®

COMPATIBLE WITH



Round Water Inlet 1/2"
Connection With Shower
Bracket

5B5250..0

www.divapor.com



T-500

The T-500 series offers you the benefits and functionalities that characterise thermostatic brassware: water and energy saving, safety and comfort.

