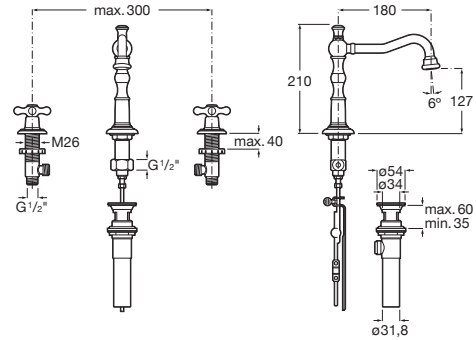


CARMEN

Basin mixer with 3 holes and Click-Clack waste



TECHNICAL DRAWINGS



FEATURES

- Application: Basin
- Click-clack waste
- Excentrics included
- Faucet type: Twin-lever
- Finish: Chrome
- Flexible supply hoses included
- Installation type: Deck-mounted
- Spout length (mm): 180
- Spout position: Central
- Swivel spout
- Water connection diameter: 1/2"



EverShine

Carmen

Carmen is a tribute to one of Roca's most iconic basins of the 1940s, which comes back with a clear vintage character to become a vitreous china and furniture collection with the latest innovations in the design of bathroom spaces.



INSTALLATION AND USER MANUALS



[Installation manual](#)