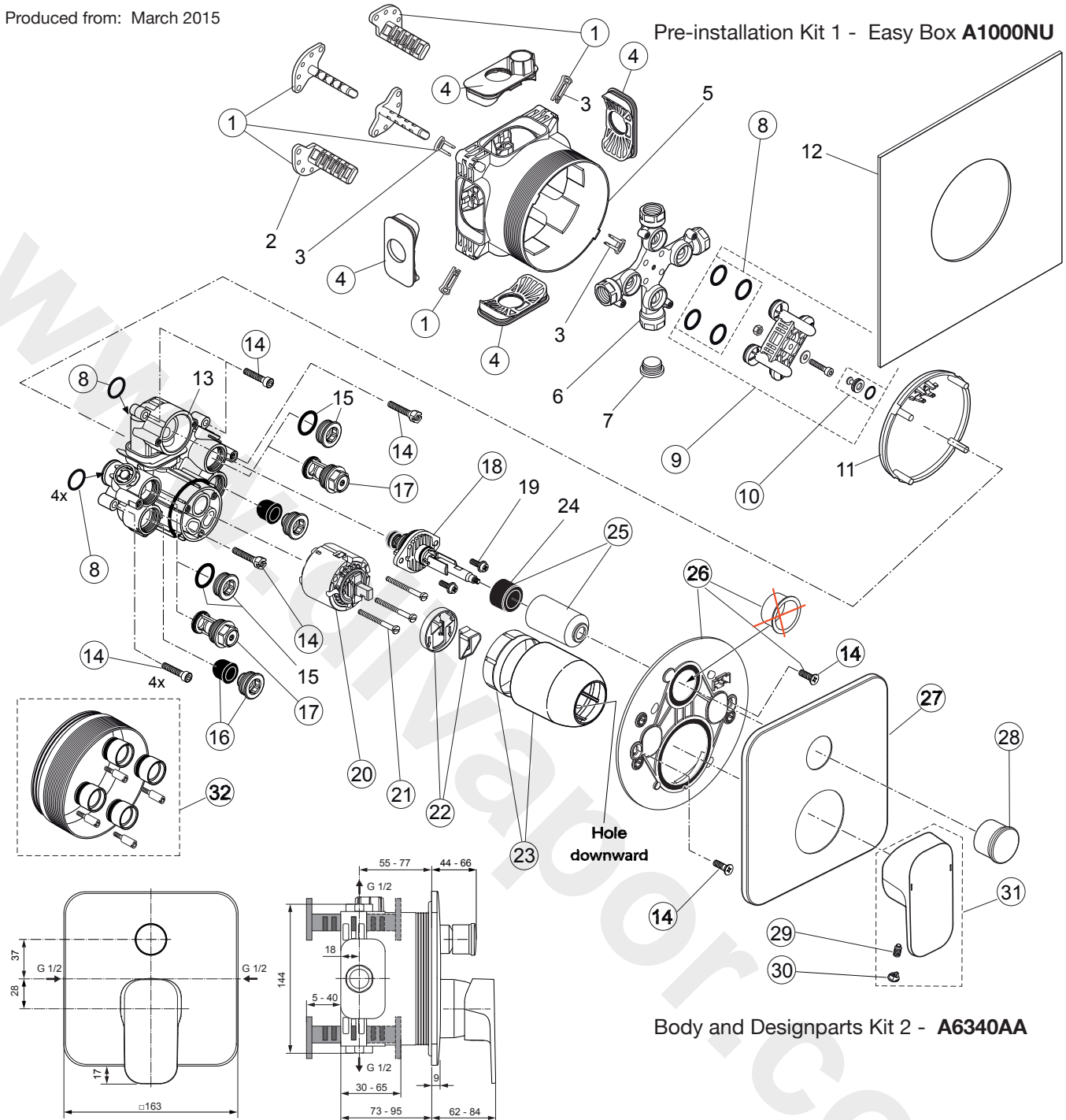


Produced from: March 2015

Pre-installation Kit 1 - Easy Box A1000NU



Body and Designparts Kit 2 - A6340AA

Pos.	Description	Part-Number	Qty.	Pos.	Description	Part-Number	Qty.
1	Install. depth adjust. + pos.3	A 963 131 NU	1 Set	19	Screw M4x12		
2	Depth adjustment device			20	Cartridge with pos.22	A 960 500 NU	1 Set
3	Adjustment lock (contained in pos. 1)			21	Cylindrical screw M4x41,7	A 963 335 NU	3 pcs
4	Side sealing	A 963 132 NU	1 Set	22	ECO-kit	A 860 700 NU	1 Set
5	Built-in box			23	Cover + clamping + O-ring	A 960 893 AA	1 Set
6	Multi-way body			24	Adapter rubber		
7	Plug G1/2			25	Cover / Cap for diverter	A 860 902 AA	1 pcs
8	O-ring Ø 17 x 2,5	A 963 143 NU	1 Set	26	Escutcheon holder compl.	A 860 897 NU	1 Set
9	Flushing device cpl.	A 963 146 NU	1 Set	27	Escutcheon B/S plane	A 860 900 AA	1 pcs
10	Plug with o-ring Ø 12x1,5	A 963 147 NU	1 pcs	28	Pull knob	A 860 901 AA	1 pcs
11	Cover for built-in box			29	Thread pin M5x10 DIN915	A 963 309 NU	1 pcs
12	Sealing fleece			30	Cap for handle	B 960 473 AA	1 pcs
13	Body Single lever			31	Lever compl. with Logo ISI	A 860 896 AA	1 Set
14	Screw set complete	A 960 890 NU*	1 Set	32	Extension kit 20mm	A 960 704 NU	1 Set
15	Plug with o-ring				Extension kit 40mm	A 962 476 NU	1 Set
16	Low noise insert	A 960 891 NU	1 pcs				
17	Stop valve	A 960 706 NU	2 pcs				
18	Diverter complete	A 963 443 NU	1 pcs				

*Universal set (not all parts needed)