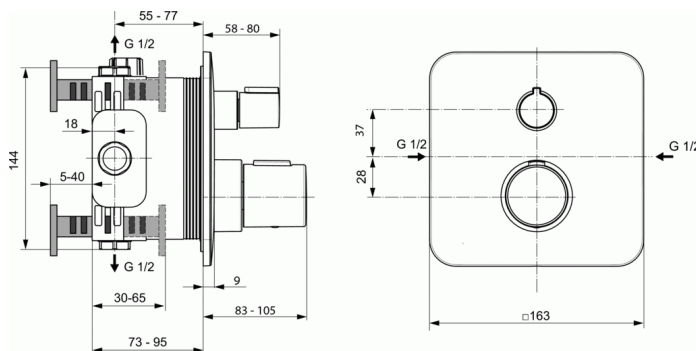


# TONIC II

## Built-in thermostatic shower mixer



### Built-in thermostatic shower mixer

IS Thermostatic cartridge new technology and ceramic discs on/off valve G1/2 180°

2-way On/Off ceramic disc valve 90°; no diverter integrated

Without accessories

Plastic handle with hot water stop button pre-fixed at 40°C

Metal slim escutcheon

To be used only in combination with:

EASY-BOX A1000NU Kit 1 (internal part) (See Section Built-in parts)

Comply with EN1111

### FINISHES\*



AA

\* AA = Chrome

### KEY FEATURES & BENEFITS



### REQUIRED

EASY-BOX universal built-in KIT1 A1000

### RECOMMENDED

Extension kit A960704

Extension kit A962476

Wall elbow B9448