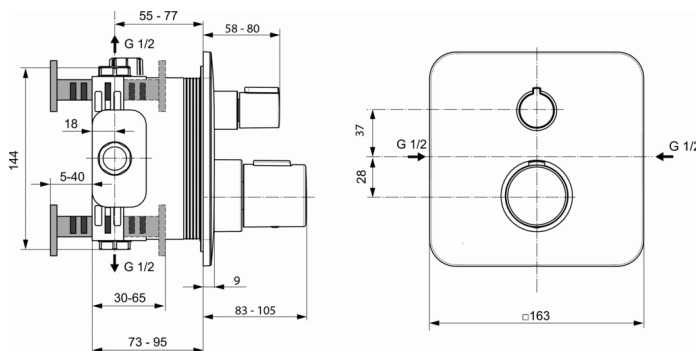


TONIC II

Built-in thermostatic bath & shower mixer



Built-in thermostatic bath & shower mixer

Individual Thermostatic Kit 2 version (visible part)
 IS Thermostatic cartridge new technology and ceramic discs
 on/off valve G1/2 180°
 2-way On/Off ceramic disc valve 90° with integrated Bath & Shower diverter
 Without accessories
 Plastic handle with hot water stop button pre-fixed at 40°C
 Metal slim escutcheon
 To be used only in combination with:
 EASY-BOX A1000NU Kit 1 (internal part) (See Section Built-in parts)
 Comply with EN1111

FINISHES*



AA

* AA = Chrome

KEY FEATURES & BENEFITS



REQUIRED

EASY-BOX universal built-in KIT1 A1000

RECOMMENDED

Extension kit A960704
 Extension kit A962476
 Wall elbow B9448