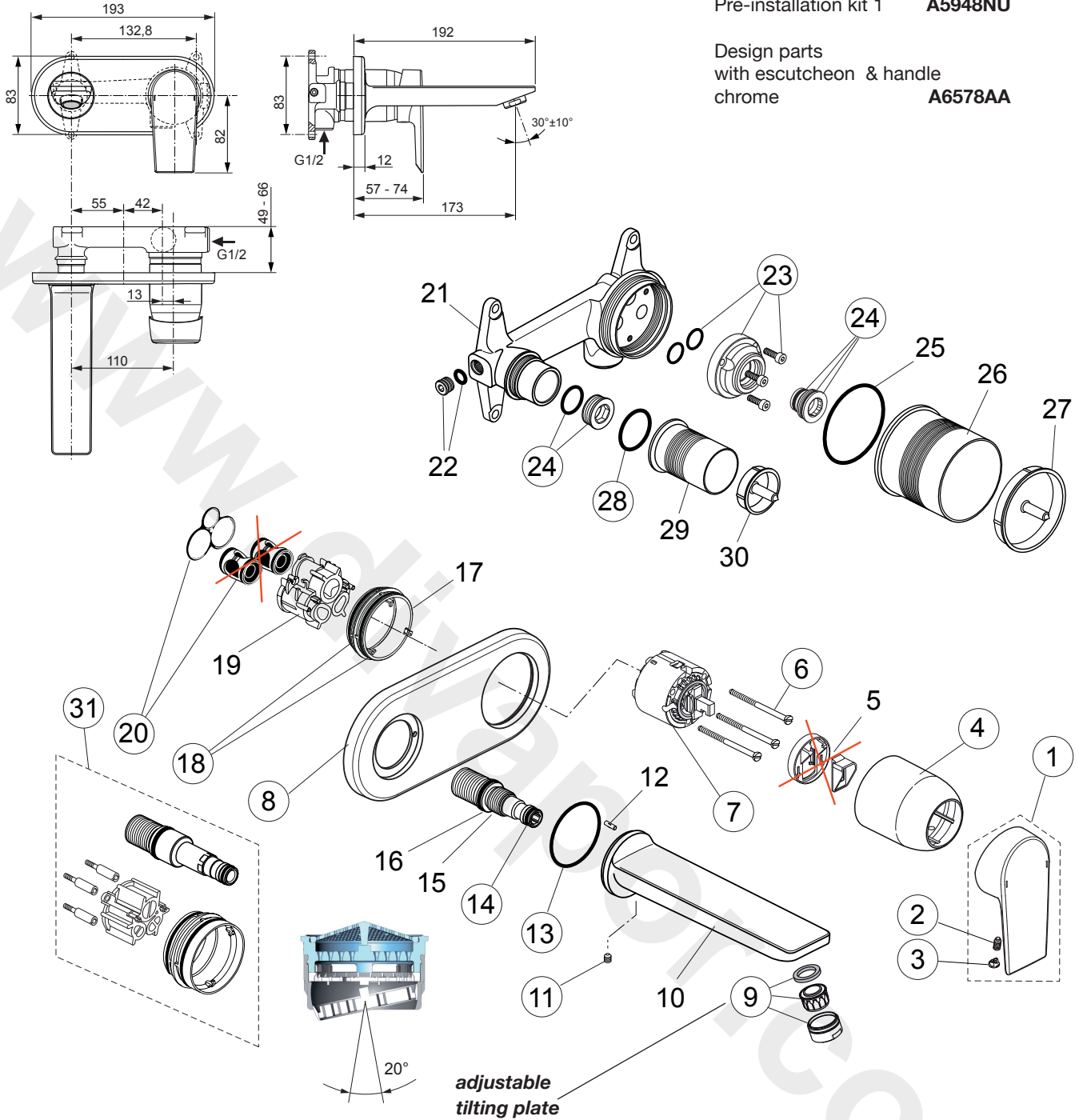


Produced since: **Nov. 2015**

Pre-installation kit 1 **A5948NU**

Design parts
with escutcheon & handle
chrome **A6578AA**



| Pos. | Description | Part-Number | Qty. | Pos. | Description | Part-Number | Qty. |
|------|--------------------------|----------------------|-------|------|-----------------------------|---------------------|-------|
| 1 | Lever cpl. with Logo ISI | A 861 020 AA | 1 Set | 17 | Plastic ring | | |
| 2 | Thread pin M5x6 DIN914 | A 860 603 NU | 1 pcs | 18 | O - ring Ø 47,3 x 1,78 | A 963 526 NU | 2 pcs |
| 3 | Handle cap | B 960 473 AA | 1 pcs | 19 | Plastic insert | | |
| 4 | Cover cap | A 960 893 AA | 1 pcs | 20 | Low noise insert complete | A 963 524 NU | 1 Set |
| 5 | ECO-kit | | | 21 | Body (built-in) | | |
| 6 | Cylindrical screw M4x69 | A 963 783 NU | 3 pcs | 22 | Superior block M10x1 | | |
| 7 | Cartridge with pos. 5 | A 960 500 NU* | 1 Set | 23 | Flushing device complete | F 960 881 NU | 1 Set |
| 8 | Escutcheon | F 960 981 AA | 1 pcs | 24 | Plug with o-ring | A 963 548 NU | 1 Set |
| 9 | Aerator M24x1 - 5ltr/min | F 960 876 AA | 1 pcs | 25 | O - ring Ø 54 x 2,5 | | |
| 10 | Spout 172mm projection | | | 26 | Plaster guard for cartridge | | |
| 11 | Thread pin M5x5 | A 962 625 NU | 1 pcs | 27 | Cover for pos. 26 | | |
| 12 | Groove pin 3x10 DIN1474 | | | 28 | O - ring Ø 26 x 2,5 | A 860 845 NU | 1 pcs |
| 13 | O - ring Ø 41 x 1,78 | A 961 863 NU | 1 pcs | 29 | Plaster guard for spout | | |
| 14 | O - ring Ø 10 x 2 | A 963 495 NU | 2 pcs | 30 | Cover for pos. 29 | | |
| 15 | Connector nipple | | | 31 | Extension kit 20mm longer | F 960 866 NU | 1 Set |
| 16 | O - ring Ø 19 x 2,5 | | | | | | |

* Universal-Set (not all parts needed)