

13 SPARE PARTS

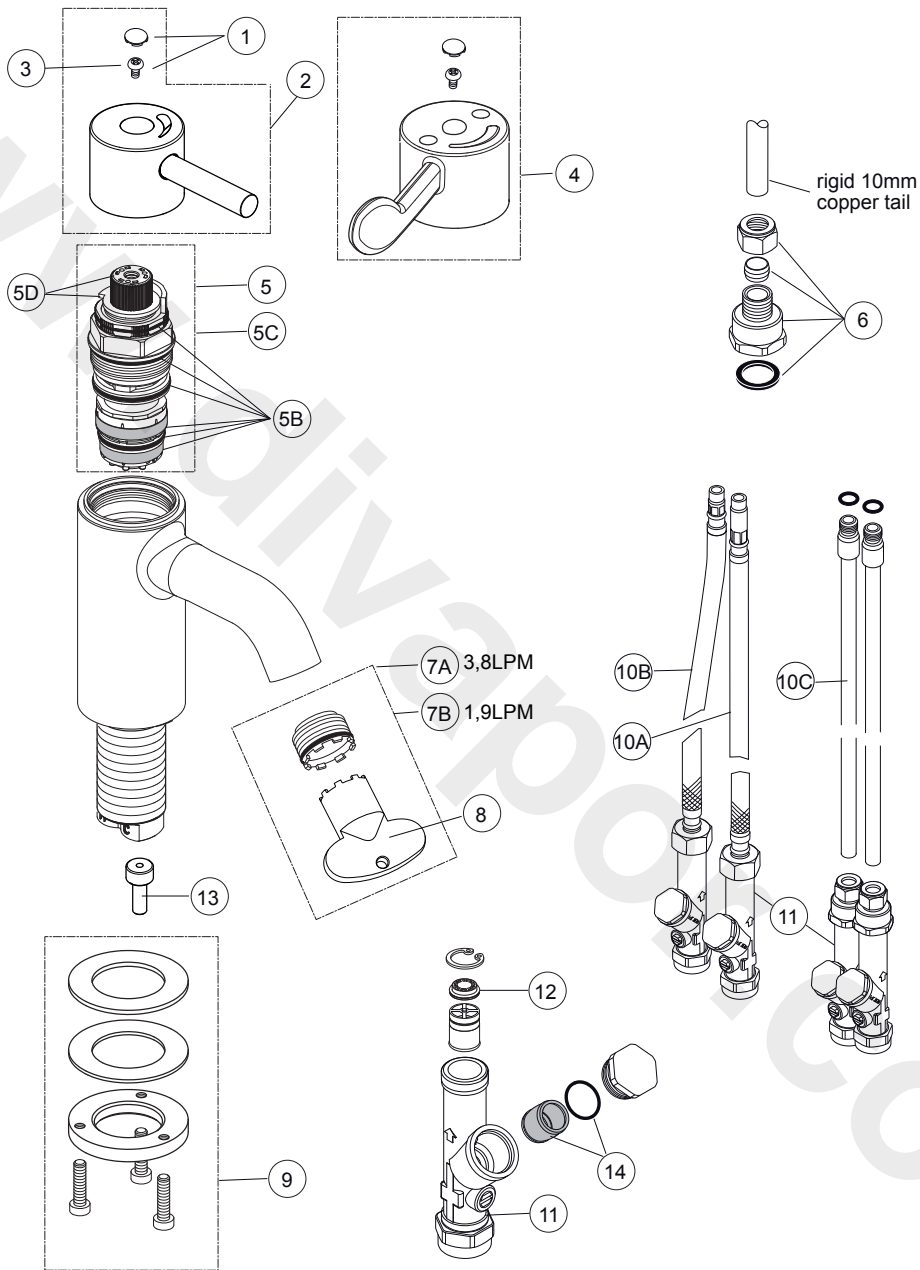


Fig.13 Exploded views

14 SPARE PARTS LIST

Ref.	Description	Product	Part No.
1	Button - Armitage Shanks & screw	All	E960 615AA
2	Lever handle assembly	A6790AA only	A861 191AA
3	Handle retaining screw	All	A961 950NU
4	Lever handle assembly	A6697-8AA only	A861 192AA
5	Thermostatic cartridge	All	A861 165NU
5B	O-ring & strainer SET for thermostatic cartridge	All	A861 166NU
5C	Thermostatic cartridge – box of 10 pieces	All	A861 290NU
5D	Splined cap & splined locking ring -cartridge	All	A861 310NU
6	Couplers – for 10mm copper tails (PAIR)	A6697AA only	F960 882NU
7A	Outlet factory FITTED Laminar flow PCA regulated to 3.8 LPM (blue coloured top).	All	A861 193NU
7B	Outlet supplied IN BOX: spray PCA regulated to 1.9 LPM (lime coloured top).	All	A861 194NU
8	Neoperl Cache Junior size anti-vandal outlet key	All	B960 654NU
9	Clamping kit & seal M28.	All	A963 381NU
10A	Flexible inlet hose M10 long version	All**	E960 642NU
10B	Flexible inlet hose M10 short version	All**	E960 589NU
10C	Copper inlet pipe M10 with O-ring (single)	All*	B960 459NU
11	Service valves (PAIR) with CV, 4LPM FR & strainer	All	E960 613NU
12	Flow regulator 4LPM	All	A962 570NU
13	Brass restrictor – for cold supply side only	All	A861 229NU
14	Strainer & O-ring kit for service valves (pair)	All	A861 284NU

NOTE: *Copper pipes (Item 10C) will fit products A6698AA & A6790AA. Couplers (item 6) may also be required.

****Flexible hoses (Items 10A & 10B) must be used as a pair.**



For more information on spare parts why not visit our spare website:
www.fastpart-spares.co.uk
 or contact customer care