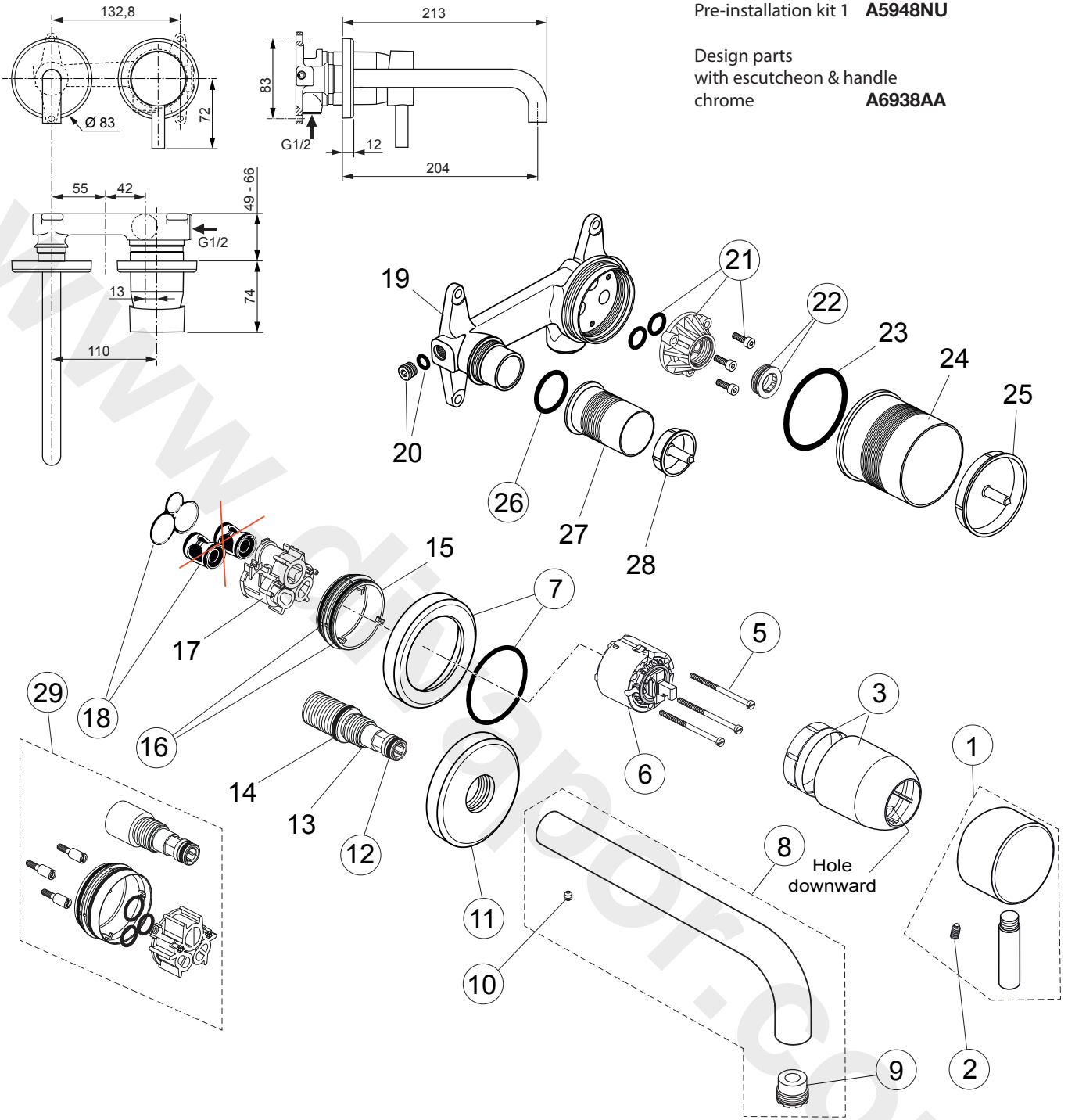


Produced from: **May 2018**

Pre-installation kit 1 **A5948NU**

Design parts
with escutcheon & handle
chrome **A6938AA**



Pos.	Description	Part-Number	Qty.	Pos.	Description	Part-Number	Qty.
1	Lever cpl. with Logo ISI	A 962 397 AA	1 Set	17	Plastic insert		
2	Thread pin M5x6 / M4x6	A 963 667 NU	1 Set	18	Low noise insert complete	A 963 524 NU	1 Set
3	Cover cap + clamping ring	A 960 893 AA*	1 Set	19	Body (built-in)		
5	Cylindrical screw M4x69	A 963 783 NU	3 pcs	20	Superior block M10x1		
6	Cartridge	A 960 500 NU*	1 Set	21	Flushing device complete	F 960 881 NU	1 Set
7	Escutcheon Ø83mm			22	Plug with o-ring	A 963 548 NU	1 pcs
8	Spout 204mm projection	F 960 966 AA	1 Set	23	O - ring Ø 54 x 2,5		
		A 962 274 AA	1 pcs	24	Plaster guard for cartridge		
9	Aerator M16,5x1	B 960 497 NU	1 Set	25	Cover for pos. 24		
10	Thread pin M4x4 DIN916	A 962 270 NU	1 pcs	26	O - ring Ø 26 x 2,5	A 860 845 NU	1 pcs
11	Escutcheon Ø83mm spout	F 960 967 AA	1 pcs	27	Plaster guard for spout		
12	O - ring Ø 10 x 2	A 963 495 NU	2 pcs	28	Cover for pos. 26		
13	Connector spout			29	Extension kit 20mm longer	F 960 866 NU	1 Set
14	O - ring Ø 19 x 2,5						
15	Plastic ring						
16	O - ring Ø 47,3 x 1,78	A 963 526 NU	2 pcs				

* Universal-Set (not all parts needed)