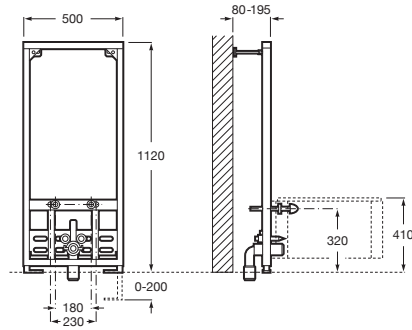


IN-WALL

PRO BIDET - Concealed structure for wall-hung bidet



TECHNICAL DRAWINGS



FEATURES

Minimum fixation depth (mm): 80

Suitable for: Wall-hung bidet

In-Wall

Systems that combine efficiency and technology, turning them into solutions that look after the design and adapt perfectly to the space concerned. Innovation and the avant-garde join forces to guarantee the best features, where convenience, saving and style are to be found in every detail.



INSTALLATION AND USER MANUALS



[Installation manual](#)