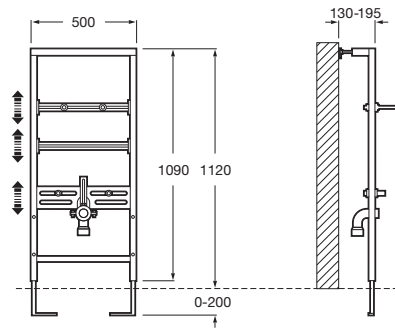


IN-WALL

PRO BASIN - Concealed structure for wall-hung basin



TECHNICAL DRAWINGS



FEATURES

Minimum fixation depth (mm): 130

Recommended for public spaces

Suitable for: Basin

In-Wall

Systems that combine efficiency and technology, turning them into solutions that look after the design and adapt perfectly to the space concerned. Innovation and the avant-garde join forces to guarantee the best features, where convenience, saving and style are to be found in every detail.



INSTALLATION AND USER MANUALS



[Installation manual](#)



[Spare Parts Catalogue](#)