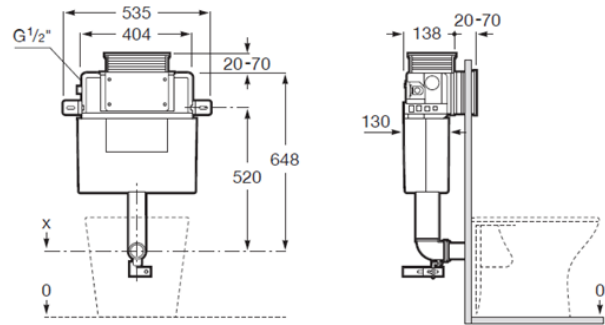


IN-WALL

BASIC TANK LH with AG valve (under window)
concealed cistern for back-to-wall WCs



TECHNICAL DRAWINGS



FEATURES

Operating panel position: Frontal, Top

Recommended for public spaces

Suitable for: Floor-standing toilet



Flushing type
Flushing type: Dual flush 4.5/3 litres



Flushing type
Flushing type: Dual flush 6/3 litres

COMPATIBLE WITH



PL5 DUAL - Dual flush operating plate for concealed cistern

89009900.



PL4 DUAL - Dual flush operating plate for concealed cistern

89009800.



PL3 PRO DUAL - Vandal-proof stainless steel dual flush operating plate for concealed cistern

890097004



PL2 DUAL - Dual flush operating plate for concealed cistern

89009600.



PL1 DUAL - Dual flush operating plate for concealed cistern

89009500.



PL10 DUAL - Dual flush operating plate for concealed cistern with matt finishes

89008920.



PL10 DUAL - Dual flush operating plate for concealed cistern

89008900.



PL7 DUAL - Dual flush operating plate for concealed cistern

89008830.



PL7 DUAL - Dual flush operating plate for concealed cistern

89008820.

In-Wall

Systems that combine efficiency and technology, turning them into solutions that look after the design and adapt perfectly to the space concerned. Innovation and the avant-garde join forces to guarantee the best features, where convenience, saving and style are to be found in every detail.

