



Product features:

- Metal construction throughout
- Zen inspired contemporary design
- Leading design features requiring high pressure
- Flow restricted to 9 litres/min to reduce splashing and save water (removable)

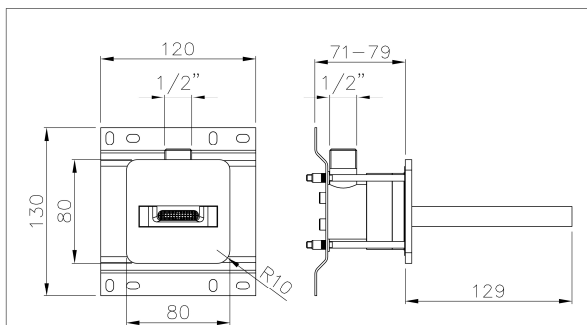
Packaged properties:

Box length (mm): 200 Box depth(mm): 110
Box width(mm): 230 Boxed weight (Kg): 2.0

Includes pop up waste?: No

Additional comments:

Product dimensions:



Modo
Bath Mixer Spout

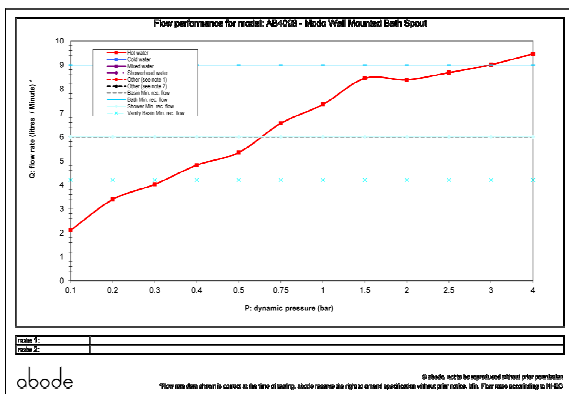
AB4096 v1



(c) abode home products ltd
www.abode.eu
our policy is to continually improve and develop products, and accordingly we reserve the right to amend specifications without prior notice

- Product mounted where: Wall
- Recommended hole size: 60x60 mm
- Overall Height / projection: 129 mm
- Exit reach: 129 mm
- Exit height: N/A mm
- Base size: 80x80 mm
- Inlet centre distance(s): N/A mm
- Min. fitting depth required: 71-79 mm
- Max. surface depth: N/A mm

Product flow characteristics:



- Min / Max water pressure (bar): 2.00* / 5.50
- Part G max. mixed flow rate at 3 bar (l/m): 9.01
- Inlet connection type / length: Fixed / N/A mm
- Inlet (plumbing connection) / outlet size: 1/2M / N/A
- Product flow characteristics: Single flow
- Non return valve(s) supplied or position: no
- Aerator type: Neoperl rectangular
- Control valve type: N/A (N/A)
- Includes output diverter?: N/A
- Inlet meshed particle filters included: N/A
- Shower hose type / length: N/A / N/A

Warranty Summary (full details available on request):

- Materials and workmanship defects warranted for 5 years
- Valves and working parts warranted for 5 years
- Surface warranty defects warranted for 1 year
- O-rings, hoses & gaskets warranted for 1 year

Care instructions:

- Clean the mixers and showers regularly as required, using soap, do not use any other cleaners.
- Regular cleaning will prevent the build up of lime scale and dirt
- After cleaning rinse thoroughly with clean water to remove any cleaner residue
- Residues of liquid soaps, shampoos and shower foams can also cause damage, so rinse with clean water after using, avoid contact with any abrasives