



**Product features:**

- Metal construction throughout
- Thermostatic valve for safety & comfort
- 2 exit alternate control for output to 2 x shower or 1 x shower & 1 x bath
- Freshly designed contemporary blend
- 5 year limited warranty

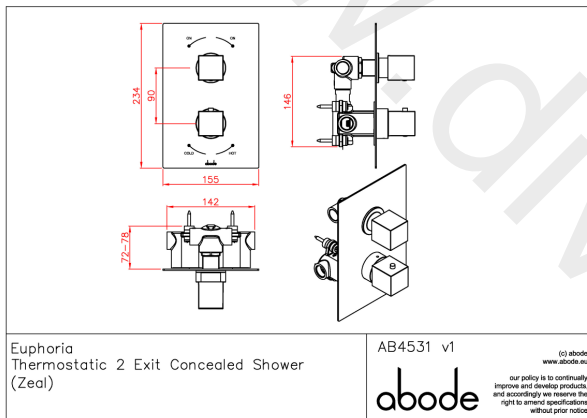
**Packaged properties:**

Box length (mm): 355      Box depth(mm): 150  
 Box width(mm): 205      Boxed weight (Kg): 3.9

Includes pop up waste?: No

Additional comments:

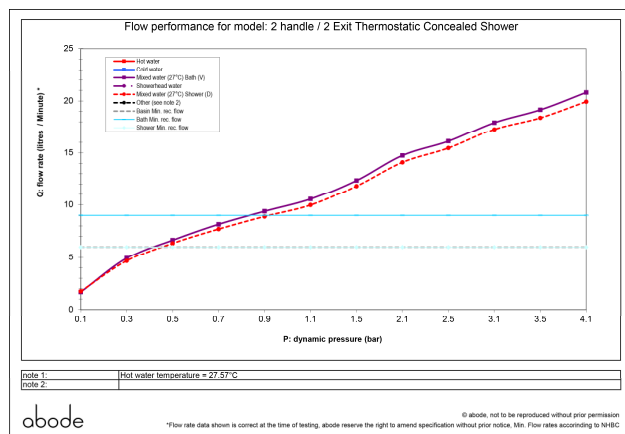
**Product dimensions:**



- **Product mounted where:** Wall
- **Recommended hole size:** 200 x 180 mm
- **Overall Height / projection:** 63 (max) mm
- **Exit reach:** N/A mm
- **Exit height:** N/A mm
- **Base size:** 155 x 234 mm
- **Inlet centre distance(s):**

- **Min. fitting depth required:** 72-78 mm 10 mm
- **Max. surface depth:** n/a

**Product flow characteristics:**



- **Min / Max water pressure (bar):** 0.50\* / 5.00  
 \*Detailed minimum pressure requirements for this product: Shower 0.5, Bath 0.9 (bar)
- **Part G max. mixed flow rate at 3 bar (l/m):** 17.92
- **Inlet connection type / length:** Fixed / n/a mm
- **Inlet (plumbing connection) / outlet size:** 1/2" F / 1/2" F
- **Product flow characteristics:** N/a
- **Non return valve(s) supplied or position:** h&c inlets
- **Aerator type:** N/a
- **Control valve type:** Thermostatic and diverter (8-20)
- **Includes output diverter?:** Yes
- **Inlet meshed particle filters included:** 0.60 mm
- **Shower hose type / length:** N/A / N/A

**Warranty Summary** (full details available on request):

- Materials and workmanship defects warranted for 5 years
- Valves and working parts warranted for 5 years
- Surface warranty defects warranted for 1 year
- O-rings, hoses & gaskets warranted for 1 year

**Care instructions:**

- Clean the mixers and showers regularly as required, using soap, do not use any other cleaners.
- Regular cleaning will prevent the build-up of lime scale and dirt
- After cleaning rinse thoroughly with clean water to remove any cleaner residue
- Residues of liquid soaps, shampoos and shower foams can also cause damage, so rinse with clean water after using, avoid contact with any abrasives