

Product features:

- Metal construction throughout
- Thermostatic valve for safety & comfort
- 2 exit independent control for output to 2 x shower or 1 x shower & 1 x bath
- Freshly designed contemporary blend
- 5 year limited warranty

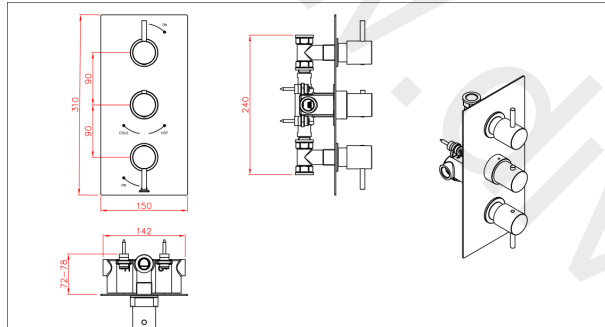
Packaged properties:

Box length (mm): 355 **Box depth(mm):** 150
Box width(mm): 205 **Boxed weight (Kg):** 4.5

Includes pop up waste?: No

Additional comments:

Product dimensions:



Product mounted where: Wall
Recommended hole size: 200 x 260 mm

Overall Height / projection: 63 (max) mm
Exit reach: N/A mm
Exit height: N/A mm
Base size: 150 x 310 mm

Inlet centre distance(s):

Min. fitting depth required: 72-78 mm
Max. surface depth: 10 mm / n/a

Euphoria
Thermostatic 2 Independent Exit
Concealed Shower (Zeal)

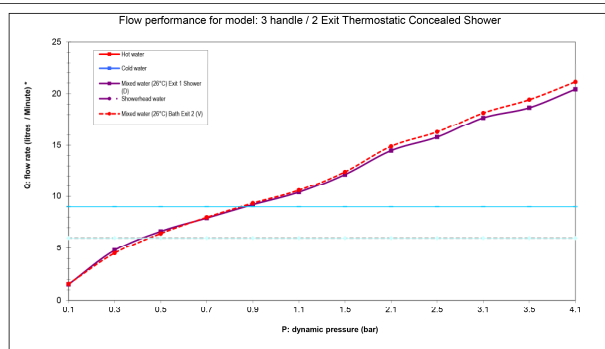
AB4550 v1

© abode
www.abode.eu

our policy is to continually improve and develop products, and accordingly we reserve the right to amend specifications without prior notice.

abode

Product flow characteristics:



Min / Max water pressure (bar): 0.50* / 5.00
 *Detailed minimum pressure requirements for this product: Shower 0.5, Bath 0.9 (bar)

Part G max. mixed flow rate at 3 bar (l/m): 18.17

Inlet connection type / length: Fixed / n/a mm
Inlet (plumbing connection) / outlet size: 1/2" F / 1/2" F

Product flow characteristics: N/a
Non return valve(s) supplied or position: h&c inlets

Aerator type: N/a

Control valve type: Thermostatic and quarter turn (8-20)
Includes output diverter?: N/A

Inlet meshed particle filters included: 0.60 mm
Shower hose type / length: N/A / N/A

Warranty Summary (full details available on request):

- Materials and workmanship defects warranted for 5 years
- Valves and working parts warranted for 5 years
- Surface warranty defects warranted for 1 year
- O-rings, hoses & gaskets warranted for 1 year

Care instructions:

- Clean the mixers and showers regularly as required, using soap, do not use any other cleaners.
- Regular cleaning will prevent the build-up of lime scale and dirt
- After cleaning rinse thoroughly with clean water to remove any cleaner residue
- Residues of liquid soaps, shampoos and shower foams can also cause damage, so rinse with clean water after using, avoid contact with any abrasives