

Customer/technical services

For any technical or installation queries please contact Vado on 01934 745163.

Guarantee

This product is guaranteed against manufacturing defects from the date of purchase until the expiry of the relevant guarantee period shown below.

The guarantee is only valid if:-

1. The product has been installed, used and maintained in accordance with Vado's instructions and subjected to normal use only.
2. The defect is not due to use of an unsuitable or inadequate water or power supply.
3. The defect is not due to accident, misuse, neglect or repair other than by Vado or Vado authorised agents or damage caused by foreign objects or substances.
4. We have received from you the completed Guarantee Registration Form. Vado accepts no responsibility for any forms lost in the post and returns by registered means is therefore recommended.

Under this guarantee (which is non-transferable) Vado will, at its option, repair or replace free of charge any product (or replacement part) found to be defective. The guarantee does not extend to any consequential loss or damage. After repair or replacement the relevant guarantee period will be calculated from the original date of purchase.

The relevant guarantee periods are:-

1. Twelve years on chrome finish products.
2. Six years on Vado Identity products.
3. Three years on all other products with the exception of Stuart Turner Pumps which carry a 2 year Guarantee on Monsoon Range and 1 Year Guarantee on Showermate Range.

All claims under the guarantee must be submitted in writing to the person who supplied the product to you and must be received no later than the last day of the relevant guarantee period. All claims must be accompanied by proof of purchase (sales receipt or delivery note).

Vado operates a policy of continuous product development and therefore reserves the right to change the product, packaging and documentation specifications without notice.

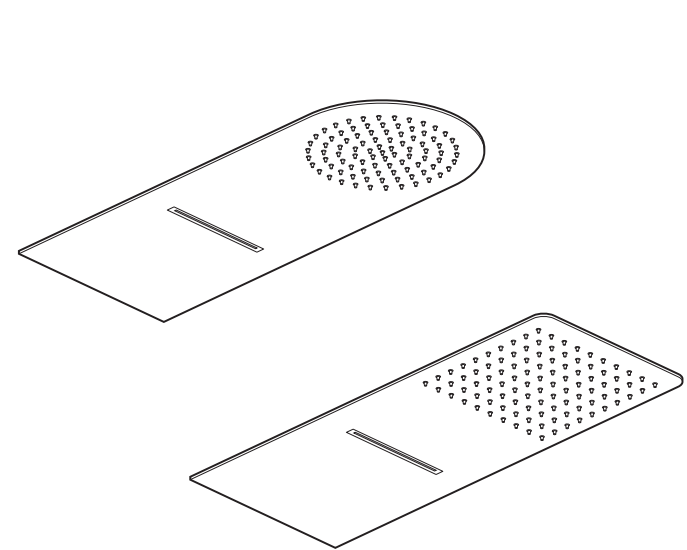
This guarantee is in addition to and does not affect your statutory rights as a consumer.

Vado

Wedmore Road, Cheddar, Somerset, England BS27 3EB
tel 01934 744466. fax 01934 744345
technical@vado-uk.com
www.vado-uk.com



Installation & maintenance instructions



Aquablade

Aquablade wall mounted showerheads

NOTE: For illustrative purposes only the square aquablade is shown. Please follow the same procedure to install the round aquablade.

Please leave these instructions with the customer

GUARANTEE REGISTRATION

NAME				
ADDRESS				
	POSTCODE			
RETAILER				
ADDRESS				
	POSTCODE			
PURCHASE DATE	ARTICLE NUMBER	(SEE BOX)		
PRODUCT DESCRIPTION				
WHO INSTALLED THE PRODUCT?	RETAILER	PLUMBER	BUILDER	SELF
FOR VADO USE				

Important - please read

Please read these instructions carefully before starting installation and keep for future reference.

Remove all packaging and check the product for missing parts or damage before starting installation.

Any alterations made to this product and fittings may infringe water regulations and will invalidate the guarantee.

The installation must comply with all Local/National Water Supply Authority Regulations/Byelaws and Building and Plumbing (UK:BS6700) Regulations.

We strongly recommend that you use a qualified and registered plumber.

Please note if installing in an enclosed environment, access should be left for servicing and maintenance. No costs relating to inadequate access can be accepted.

Operating Specifications

Operating Pressure:

Minimum operating pressure 1 bar

Maximum operating pressure 5 bar

Installers/users notes

Maintenance

Our products are finished to the highest standard and due care needs to be taken to ensure their looks are retained.

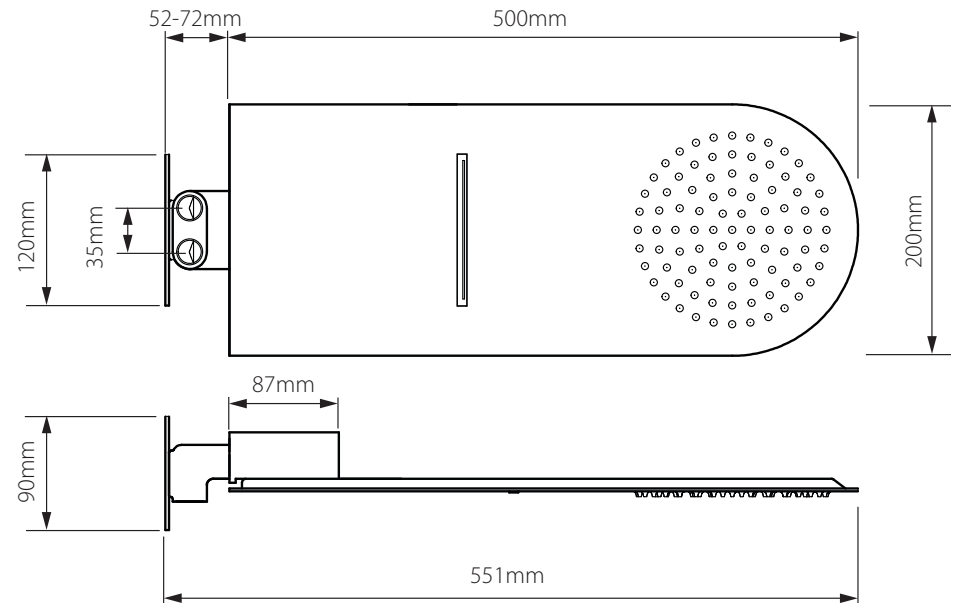
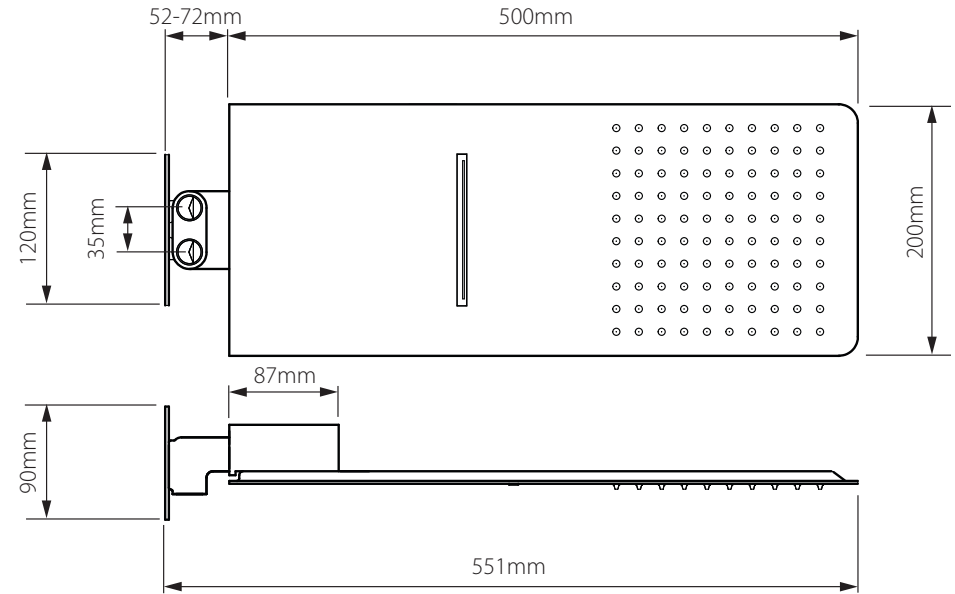
We recommend cleaning all products with a soft damp cloth ONLY and advise strongly against the use of ALL cleaning products i.e. powders and liquids.

If the above instructions are not followed this will invalidate your guarantee in the event of a problem occurring.

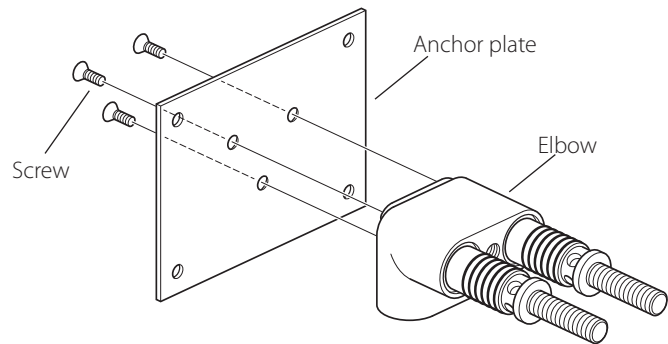
Shower Nozzles.

To remove any build up of Limescale on the shower, rub the nozzles gently with your thumb.

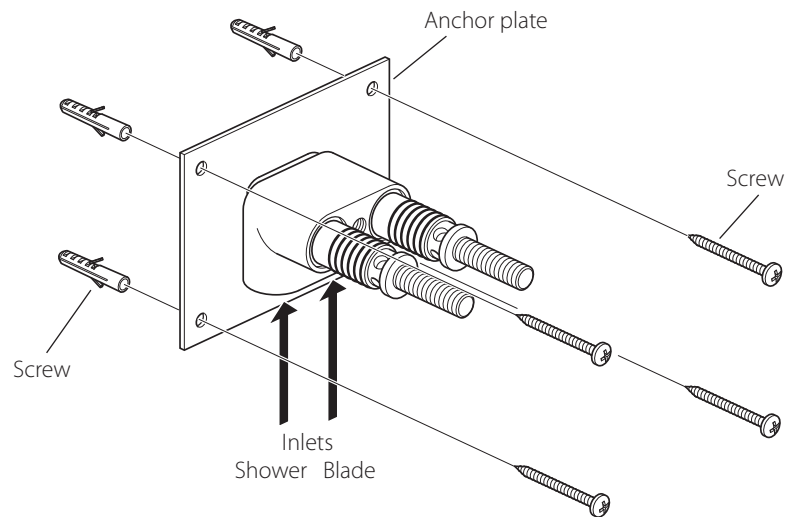
Dimensions



Installation

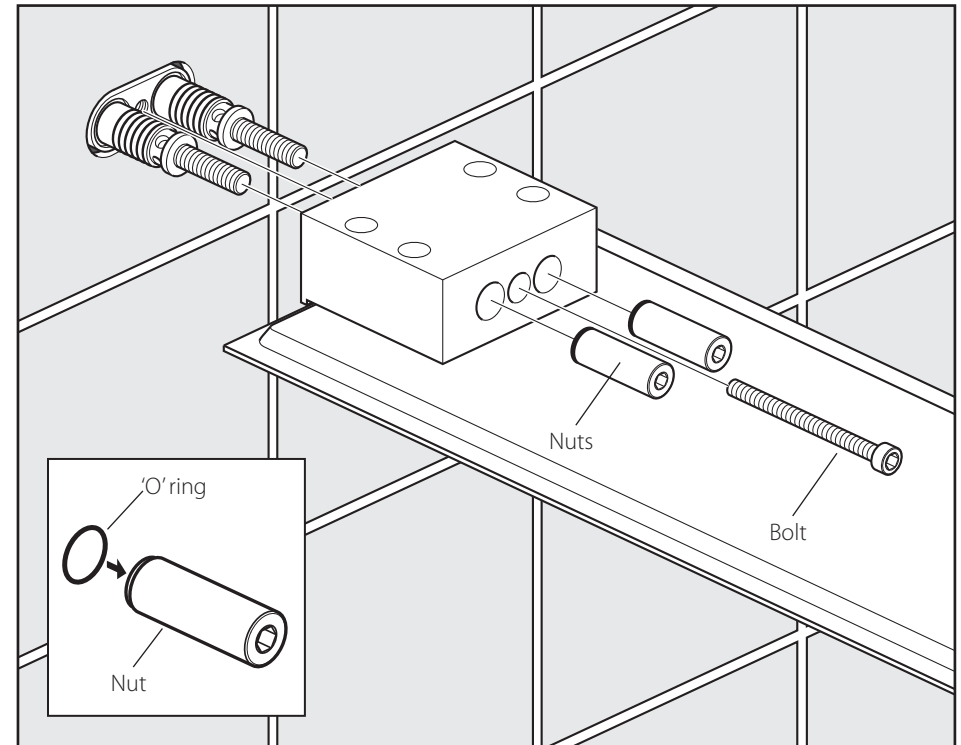


Fix the anchor plate to the elbow using the 3 supplied screws.



⚠ Warning! Please check for any hidden cables and pipes before drilling holes in the wall. The elbow must be set into the wall (see dimension page). Using the anchor plate as a template mark the centres of the 4 fixing holes. Secure the anchor plate using 4 screws and wall plugs, or if preferred appropriate size wood screws could be used. Drill 4 x holes to a suitable depth for the plugs. Connect the elbow to the water supplies. The left inlet is for the shower and the right is for the blade.

Installation



Complete all dry lining and tiling, ensure the tiles are cut tight around the elbow and within the depth tolerance.

Make sure the o ring is fitted onto the end of each nut (see detail above). Slide the shower head onto the elbow being careful not to damage the seals. Screw in the 2 x securing nuts and the bolt. Gradually tighten each one consecutively a little bit at a time using the supplied hexagonal key. Carefully tighten up to the tiles, do not over tighten as you may crack the tiles.