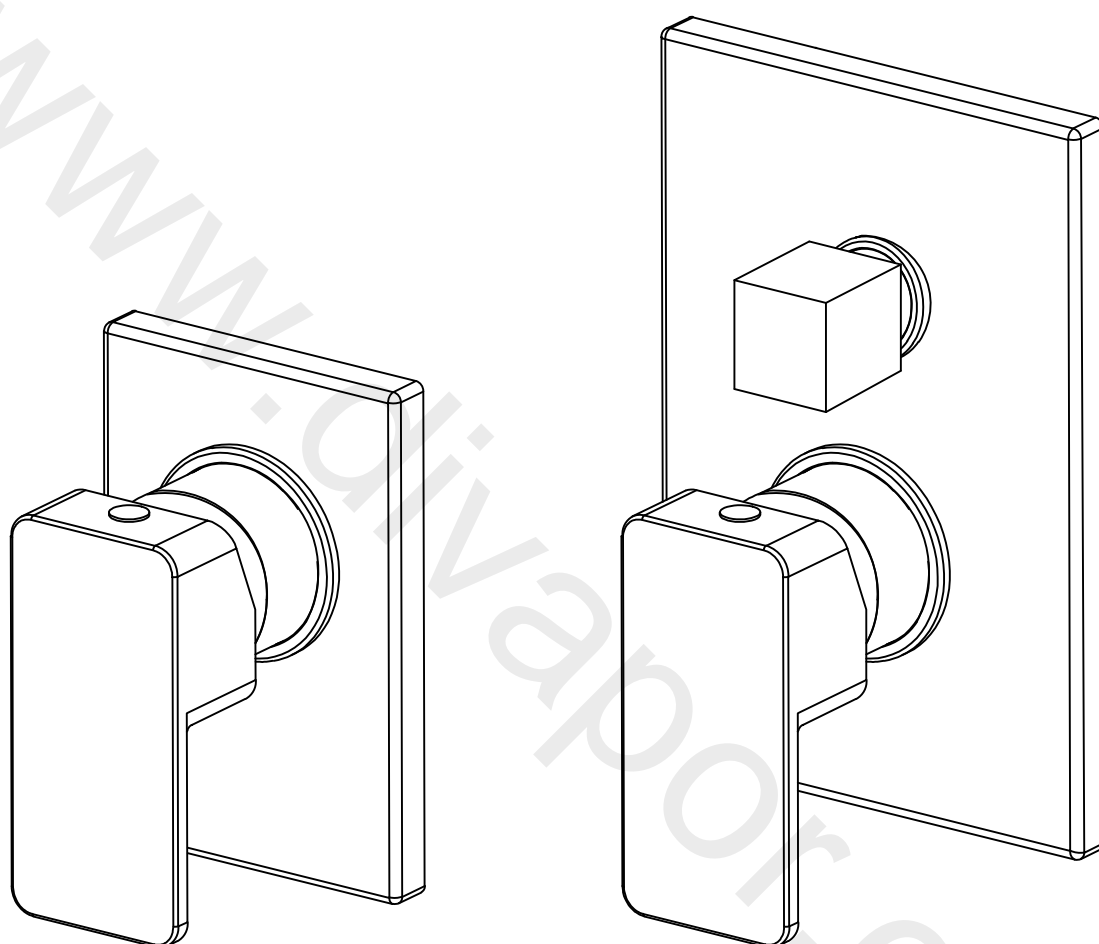


GENERAL FITTING GUIDE

CONCEALED SINGLE LEVER MANUAL SHOWER VALVE (WITH AND WITHOUT DIVERTER)

PRODUCT SHOWN WILL VARY
DEPENDING ON MODEL



Important Information

(Please leave this installation & user guide with the end user)

This installation guide is for all single lever manual shower valve models. It covers the installation and operation of the shower valves.

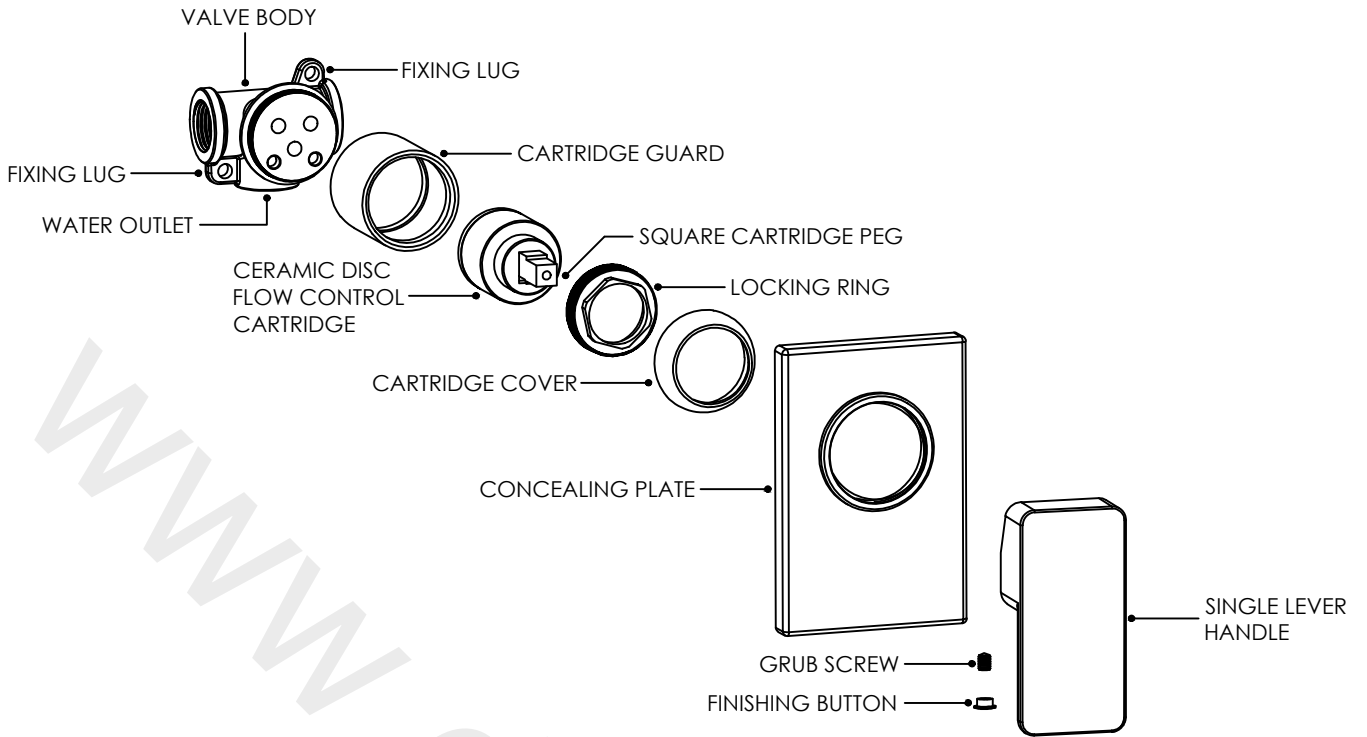
All these shower valve models are operated manually, with both the flow of water and the mixed water temperature being controlled manually using the operating lever. The valves are suitable for use on pressure from as low as 0.5 bar.

If you have chosen a model with a diverter option, you can switch between two shower outlets. For best performance, please make sure the water supplies are reasonably balanced.

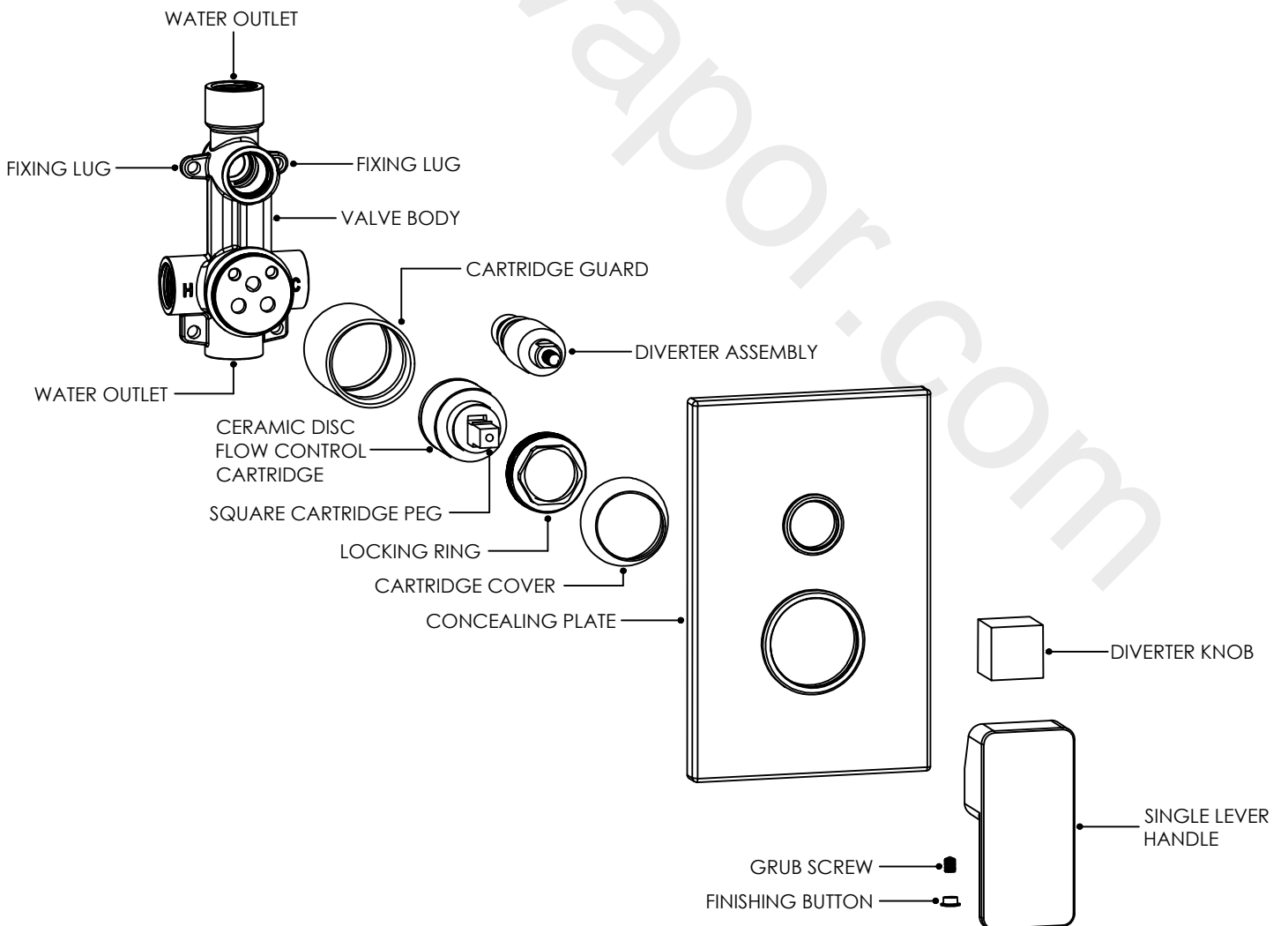
Safety

We recommend that this product is fitted by a fully qualified installer. The installation must comply with all current water regulations. Please note: This valve **MUST** be commissioned during installation to suit site conditions. In order for this product to operate as designed it must be installed and commissioned as stated in this manual.

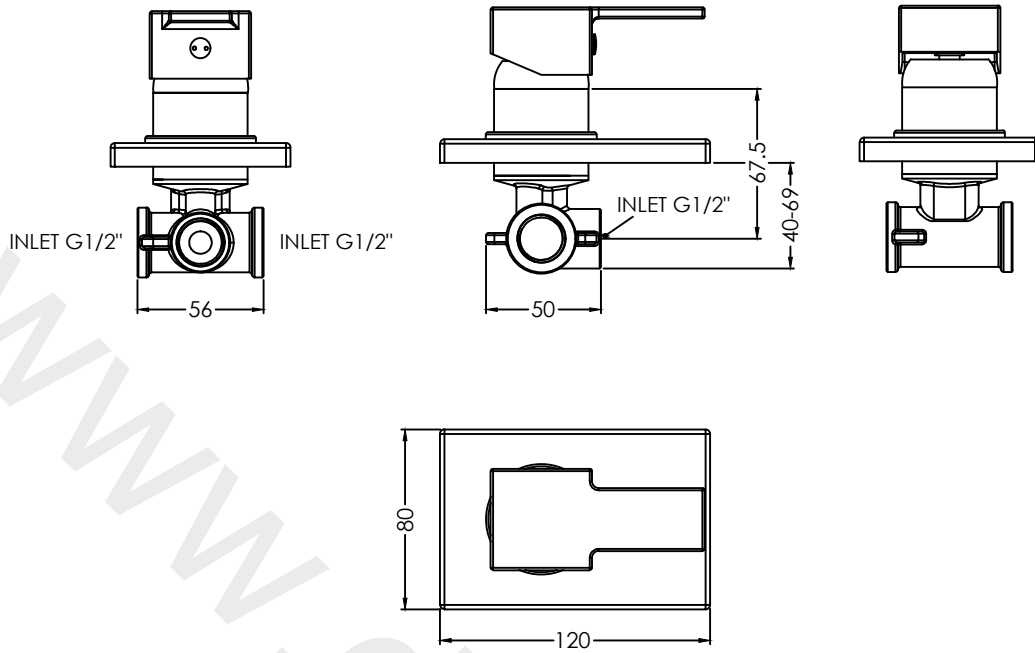
Components List (Single Outlet)



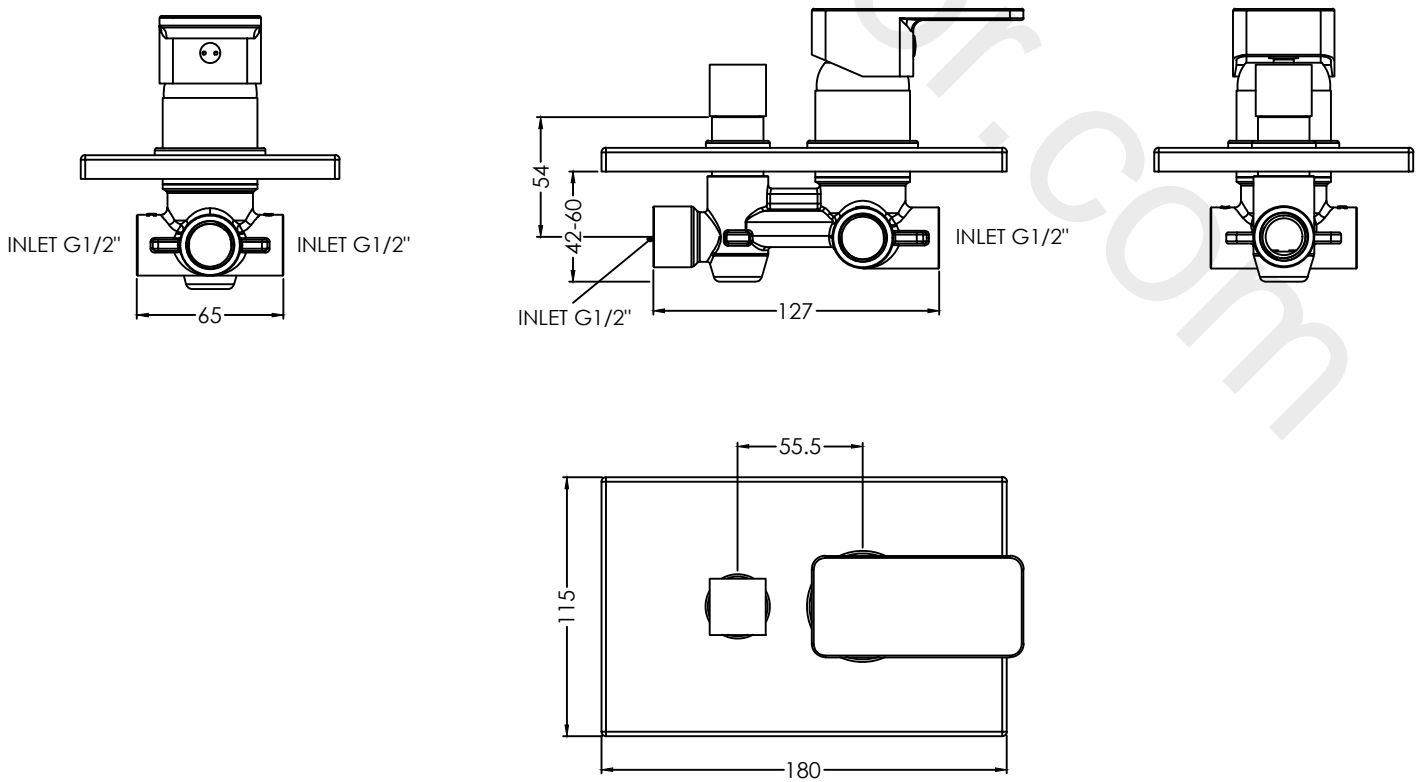
Components List (Twin Outlet with Diverter)



Key Dimensions (Single Outlet)



Key Dimensions (Twin Outlet with Diverter)



Technical Data

Min operating pressure: 0.5 bar (3 bar if using Bath Filler)

Max operating Pressure: 5 bar

Operation

All Models:

Pull the single lever handle towards you to activate the flow of water.

Turn the single lever handle clockwise to increase the water temperature, and turn anti-clockwise to reduce the temperature.

Diverter Model Only:

This operates on a manual diverter mechanism.

To use the secondary shower outlet pull the diverter knob out - this action will divert the flow of water. To return the water flow to the primary shower outlet position simply push the diverter knob back to its original position.

Installation

NB There is some in-wall adjustment on this shower valve to assist with installation. This needs to be planned before installation commences. See key dimensions for guidance.

Diverter model only: Unscrew the diverter knob, and leave to one side in a safe place.

All Models:

1. You must install accessible isolation valves in the HOT & COLD water supply lines for servicing purposes.
2. Determine the fixing position and make a suitable recess in the wall to house the valve body. NB this space should leave enough access to be able to service the valve body and all its connection points after the concealing plate is removed.
3. Secure the valve body in position to a suitable fixing point, using the fixing lugs that are cast into the valve body.
4. Now the valve body is securely mounted in the wall recess, make sure the pipe work is thoroughly flushed through to remove any debris from the system before connecting the water supplies to the valve body. NB Failure to do this could invalidate the guarantee.
5. The plumbing connections should then be made to the HOT & COLD water inlets (which are clearly marked).
6. Make the plumbing connection(s) to the water outlet. This will take the water to the chosen auxiliary product (shower kit) you have selected to run with this shower.
7. Turn on the water supplies and check for leaks.
8. The valve can now be commissioned.
9. Push the concealing plate over the control(s), applying a small bead of silicone behind the concealing plate to create a water tight seal so that water cannot ingress into the wall cavity.
10. Fit the single lever handle to the square cartridge peg and secure in place using the grub screw inside the lever handle. Replace the finishing button.

Diverter model only: screw the diverter knob back onto the diverter assembly.

11. Your shower valve is now ready for use

Aftercare

When cleaning the valve please do not use a substance that could possibly damage the surface finish. We recommend that soapy water with a mild detergent is used.

- Please take care not to damage the surface finish of the valve. The finish is polished chrome and can be easily marked