

Product Finish: Chrome

Product code: AT2072
EAN13 barcode: 5060344155946



Note: the image shown may not reflect the product finish, chrome finish is typically depicted.

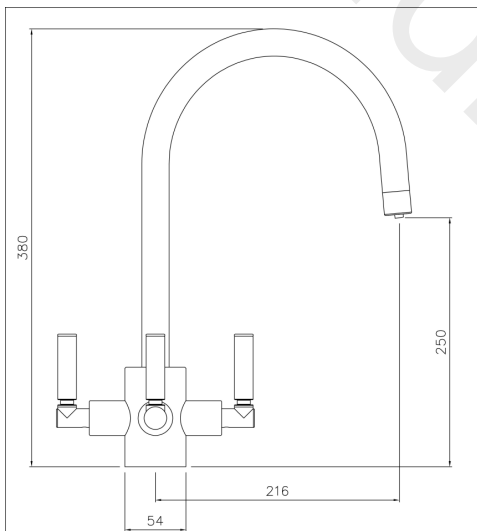
Product features:

- Metal construction throughout
- Crystal clear filtered water, easy to change, high quality carbon filter
- Supplied complete with installation kit and filter cartridge
- Quarter turn handle action for precise flow control
- Antisplash spout supplied as standard

Additional information / Parts included:

SCO06041 fixing kit

Product dimensions:



ORCUS
MONOBLOC V1

abode

(c) abode home products ltd
www.abode.eu
Our design is continually
improved and developed products,
and accordingly we reserve the
right to amend specifications
without prior notice.

- Overall Height / projection: 380 mm
- Exit reach: 216 mm
- Exit height: 250 mm
- Centre distance(s):

- Base diameter(s): 54 mm
- Recommended hole diameter: Ø 35 mm
- Max. surface depth: 65 mm

- Spout diameter: 24 mm
- Spout aerator size: 22f

Packaged properties:

Box length: 455mm

Box depth: 145mm

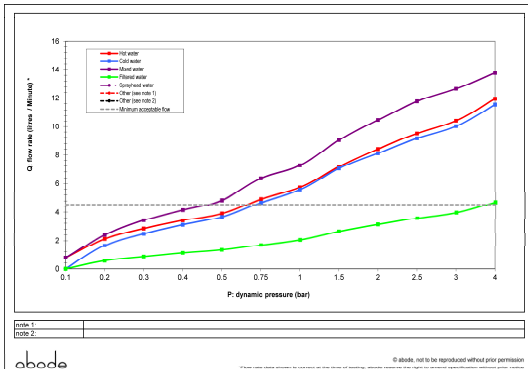
Box width: 365mm

Units per outer: 5

Tap only weight: 2.40kg

Boxed weight: 3.60kg

Product flow characteristics:



- Min / Max water pressure: 0.40 / 5.50 bar
- Recommended / Max water temperature: 46°C / 70°C
- Part G - Mixed flow rate at 3 bar (litres / min): 12.67

- Control valve type: Ceramic disc QT
- Product flow characteristics: (C&F / H) dual flow
- Non return valve(s): Cold only

- Aerator type: Neoperl aerator honeycomb dual flow
- Accepts revolve / spray areator: No
- Spout connection method: Grub screw

- Tail pipe inlet / outlet size: M12 / 1/2" Female (Hot) 1/2" Male (Cold)
- Inlet pipe type / length: flexible stainless braided hose / 255 mm

Care instructions summary:

- Clean the mixers and showers regularly as required, using soap, do not use any other cleaners.
- Regular cleaning will prevent the build-up of lime scale and dirt
- After cleaning rinse thoroughly with clean water to remove any cleaner residue
- Residues of sink & worktop cleaners can also cause damage, so rinse with clean water after using, avoid contact with any abrasives

Warranty Summary (Full details available on request):

- Materials and workmanship defects warranted for 5 years
- Valves and working parts warranted for 5 years
- Surface warranty defects warranted for 1 year
- O-rings, hoses & gaskets warranted for 1 year