

Astbury 3 part mixer c/w independent Hendon Handspray

Product Finish: Chrome

Product code: AT3050
EAN13 barcode: 5060344151870



Product features:

- Low lead brass construction
- Quarter turn handle action for precise flow control
- Victorian inspired aesthetic
- Integral diverter from spout to sprayhead (spout flow stops when spray activated)
- 5 year limited warranty

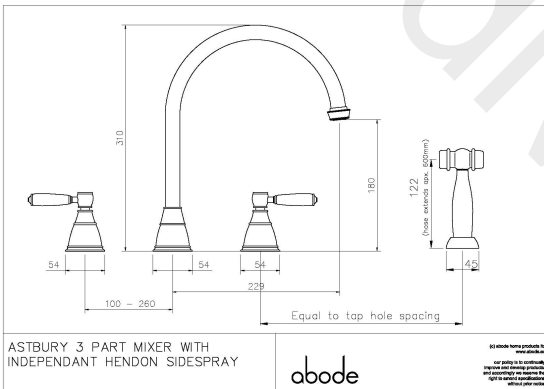
Additional information / Parts included:

The installation of this product should respect requirement IRN R090. Cache key, allen key 1.5mm

Packaged properties:

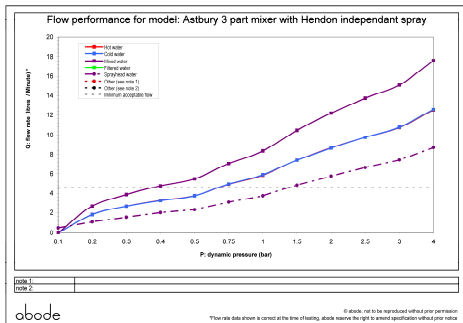
Box length (mm): 600 **Box depth (mm):** 85 **Tap only weight (kg):** 3.42
Box width (mm): 320 **Units per outer:** **Boxed weight (kg):** 4.26

Product dimensions:



- **Overall Height / projection (mm):** 310
- **Exit reach (mm):** 229
- **Exit height (mm):** 180
- **Centre distance(s):** (100 - 260mm)
- **Base diameter(s) (mm):** 54x 54
- **Recommended hole diameter (mm):** Ø 35
- **Max. surface depth (mm):** 45
- **Spout diameter (mm):** 20
- **Spout aerator size:** M20

Product flow characteristics:



- **Min / Max water pressure (bar):** 1.00 / 5.5 (tap), 2.0 (spray)
- **Recommended / Max water temperature:** 46°C / 70°C
- **Part G - Mixed flow rate at 3 bar (litres / min):** 15.10

- **Control valve type:** Ceramic disc QT
- **Product flow characteristics:** Single flow
- **Non-return/Check valve(s):** Integral to sprayhead

- **Aerator type:** Neoperl SLIM AIR CCSLC – STD flow class V
- **Accepts revolve / spray aerator:** No
- **Spout connection method:** Locking collar

- **Tail pipe inlet / outlet size:** 1/2" BSP Male / M10 x 1/2" F
- **Inlet pipe type / length (mm):** fixed threaded inlets / 350

Care instructions summary:

- Clean the product regularly using a mild washing up liquid, do not use any other cleaners.
- Regular cleaning will prevent the build up of lime scale and dirt
- After cleaning rinse thoroughly with clean water to remove any cleaner residue
- Residues of sink & worktop cleaners can also cause damage, so rinse with clean water after using, avoid contact with any abrasives

Warranty Summary (Full details available on request):

- Materials and workmanship defects warranted for 5 years
- Valves and working parts warranted for 5 years
- Surface warranty defects warranted for 1 years
- O-rings, hoses & gaskets warranted for 1 years

abode