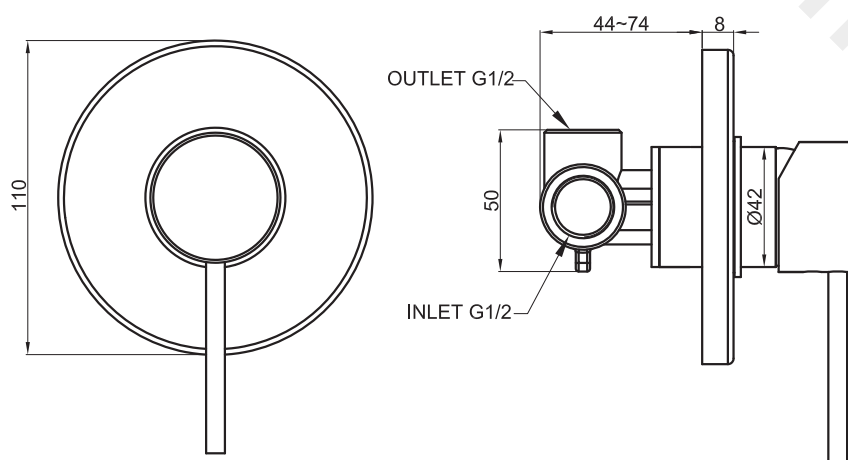


## Manual Concealed Shower Valve Rod Handle



### Installation & Maintenance Instructions

Please follow them carefully and  
leave this manual with end user

#### I. Operation Notice

- 1.This valve is suitable for use with all water systems with an operating pressure 0.5 bar up to 5 bar, (beyond which we recommend pressure reducing valves to be fitted).
- 2.When the room temperature drops below 0°C, take necessary measures (such measure as keeping faucet warm and closing windows) to prevent the faucet from being frozen or even broken (especially when windows kept open for air ventilation while nobody resides in).
- 3.Fitting isolating valves to the inlet feeds is recommended for ease of maintenance.

#### II. Installation

- 1.Determine the fixing position for the shower valve and make a recess in the wall to house the shower valve. The depth of the recess should be from 42mm to 80mm below the finished wall surface to fit the cover plate correctly.
- 2.Insert the valve into the wall recess, then mark fixing points with the mounting lugs that are cast on the valve body. Pull the valve out and drill suitable length holes at the marked positions. Use supplied plugs and screws to secure the valve.
- 3.Now the shower valve body is securely mounted onto the wall. Prior to installation and connecting, make sure the pipes are thoroughly flushed to remove any debris etc. Attention: Failure to do this will impair the flow of water.
- 4.The plumbing connections should then be made to the HOT & COLD water inlets which are clearly marked. Hot water inlet to be connected with hot supply on the left of the valve, cold water inlet to connected with cold supply on the right of the valve.
- 5.Make the plumbing connection to the water outlet. This will take the water to the chosen auxiliary product (shower kit) you have selected to run with this shower.
- 6.The plumbing connections on the inlets & outlet are all 1/2" BSP female threads. It is recommended to apply PTFE tape to all thread connections. Do not use tapered threaded adaptors.
- 7.Then turn on the water supply. Check that there is no leakage.
- 8.Slide the plate into position over the lock sleeves, and fit up against the finished wall surface.
- 9.Fit the chrome control knobs. Remove the decorative caps, then place the handle on the valve, hold the handle firmly in position and tighten the grub screw with supplied Allen key. Refit the decorative caps.

#### III. Maintenance

##### Clean the cartridge

First shut off the water supply then loosen the grub screw and remove the handle. Take off the cover plate & then the retaining nut. Taking note of the orientation of the cartridge remove it. Wash the cartridge with clean running water, dry and lightly grease the seal. Replace cartridge then refit retaining nut, cover and handle as above.

#### IV. Aftercare

Always clean the surface of shower valve to keep it bright. Attention: please do not use inappropriate tools such as sharp brushes, rough sponges, scouring pads or corrosive detergent to clean the faucet. Please clean the faucet by wet cloth and soapy water after each time of usage. Then rinse the soap out with clean water and dry with a soft cotton cloth.