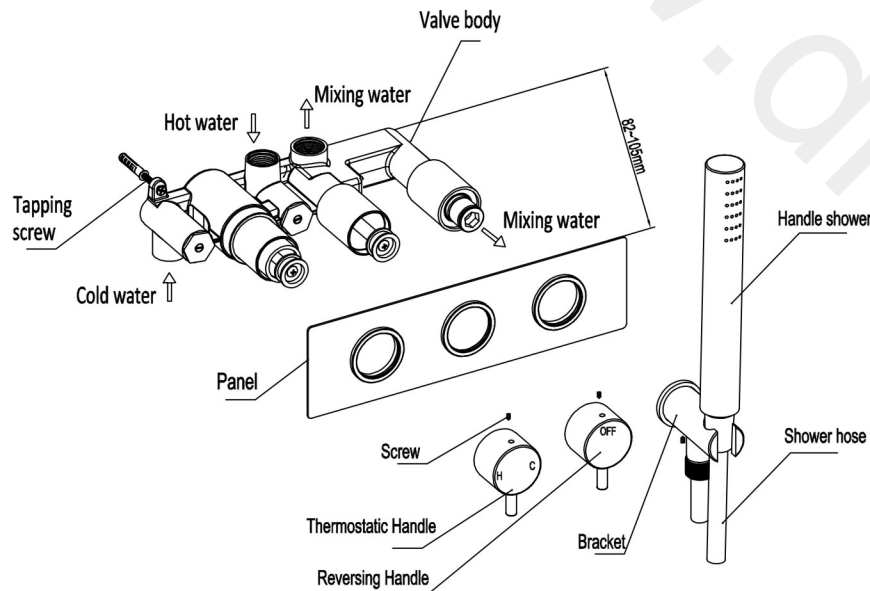


Installation instructions



Technical Parameters

1. Operating pressure is 0.5 Bar ~ 5 Bar, suggest pressure is 1 Bar ~ 5 Bar
2. Cold water supply temperature: 5 °C ~ 29 °C, hot water supply temperature: 55 °C ~ 85 °C;
3. The maximum outlet water temperature is 45 °C;

Installation Points for Attention

1. The thermostatic valve core shall be inspected and debugged by the factory, and it is not allowed to dismantle or assemble by yourself;
2. Before the installation of the tap, the impurities and sludge in the pipe must be removed to avoid blocking the tap and affecting the water outlet function;
3. Pay attention to the water inlet direction of hot and cold water when installing the tap
4. After installation, please check whether the joints are tightly connected and any leaks.

Installation Steps

1. Fix the main body in the wall with self tapping screw and connect the pipe
2. Cover the panel on the tap body, then install the hand wheel and lock it with screws.

Installation and operation instruction

I. Installation Notice.

1. Floor drain should be installed in the location of the tap.
2. Flush pipes to get rid of any debris blocked in pipes before installation.
3. After installation, turn all the joints to make sure they are firmly connected. Then turn water on and off repeatedly to ensure there are no leaks around the joints then the product can be used normally at this stage.

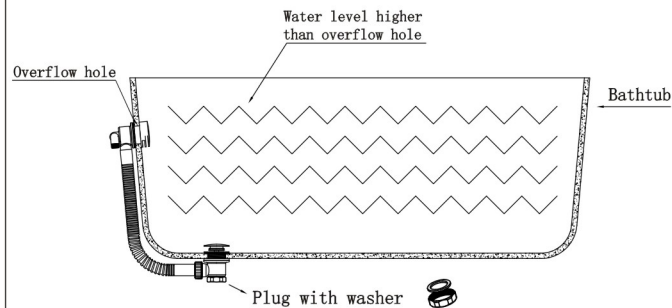
II. Operation Notice

1. The product is used between water pressure 0.5 to 4bar, water temperature 0-90°C.
2. Regularly clean the tap with soft damp cloth.
3. Read all the instructions completely before proceeding.

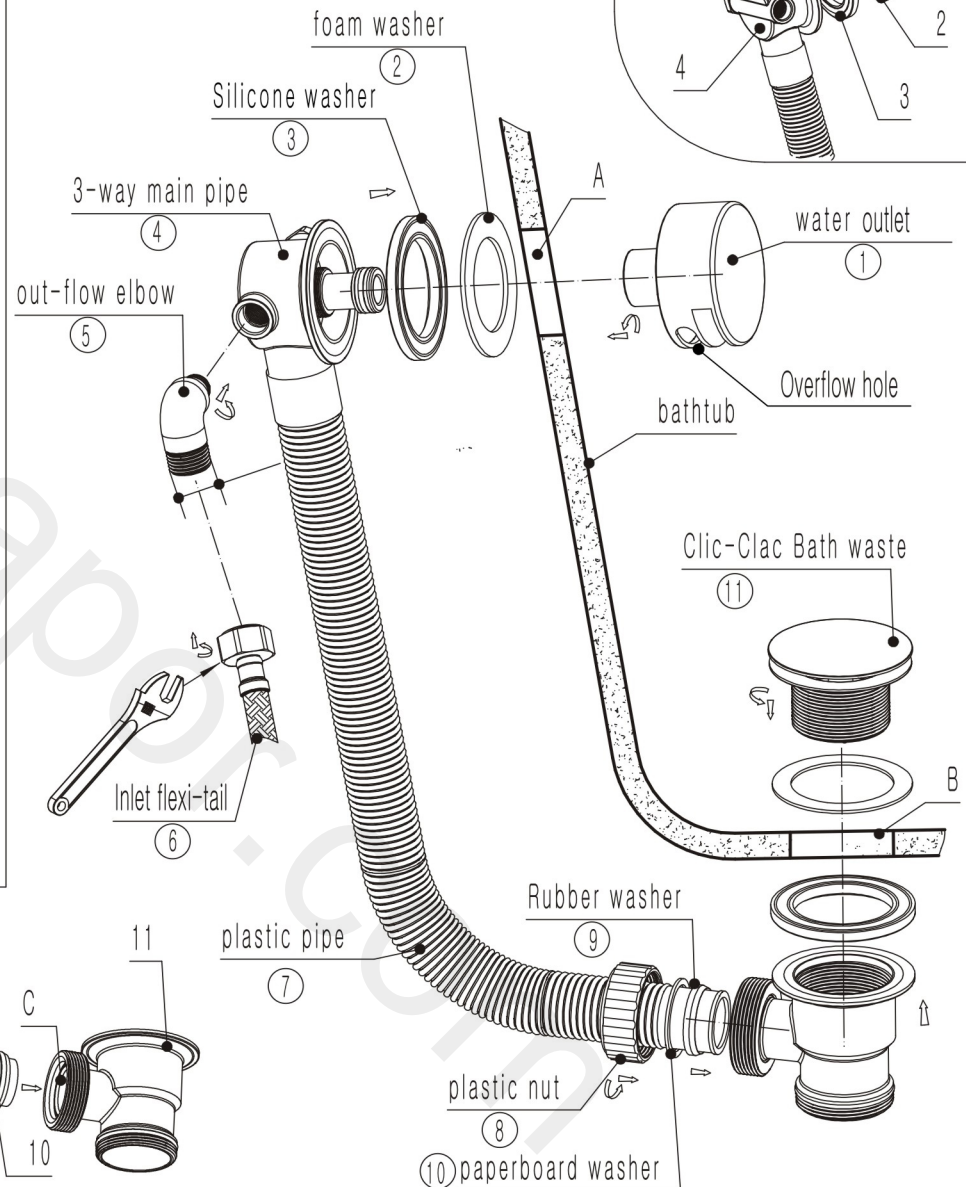
III. Installing steps.

1. As demonstrated on figure I, parts 1,2,3, shall be released from the 3-way main pipe(4).
2. As demonstrated on figure II, parts 3, 2 to be connected onto main pipe(4) in order, then take through hole A of bath. Then tighten part 1 on the surface of the bath (take care when adjusting the direction of the out-flow).
3. Connect the top of part 5 onto 3-way pipe. The tail of part 5 connect with part 6 inlet tube.
4. Install part 11 Clic-clac Bath Waste onto bath outlet B.
5. As per figure III, tighten parts 8,9,10 onto plastic main pipe, then connect to part 11 clic-clac bath waste (Take notice of part No.7 plastic pipe should be inserted into hole C more than 10mm, and at the same time make sure no.8 plastic nut is fully tightened).
6. Turn on water supply valve and handle to check all the joints to make sure there is no leakage and the product can work normally.

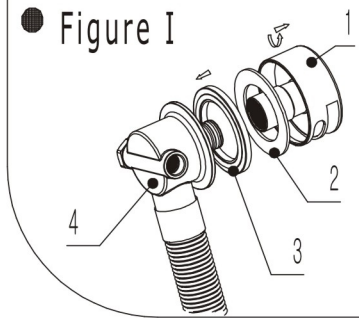
Note: Once assembled, fill the bath with water, check for leaks.



● Figure II



● Figure I



● Figure III

