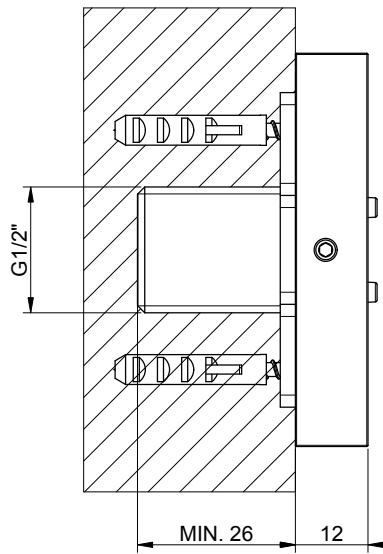
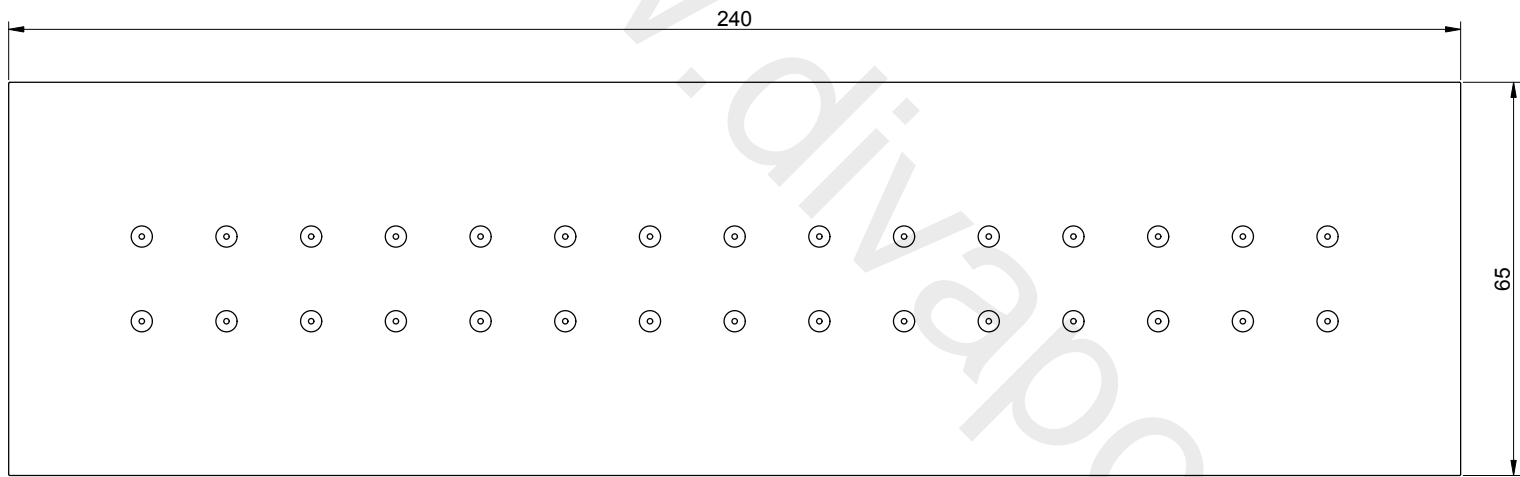


www.diver.com



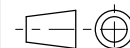
GESSI

RETTANGOLO 32975

SOFFIONE LATERALE A MURO 240X65

Formato

A4



Dis.: GPF3297500000G000

Gessi S.p.A. Parco Gessi, 13037 Serravalle Sesia (Vercelli) Italy Tel.0039 0163 454111 Fax.0039 0163 453150 www.gessi.com e-mail:gessi@gessi.it

This drawing by its legislation cannot be disclosed or reproduced without a written authorization released by GESSI S.p.A. - 2009 Copyright® GESSI S.p.A.