

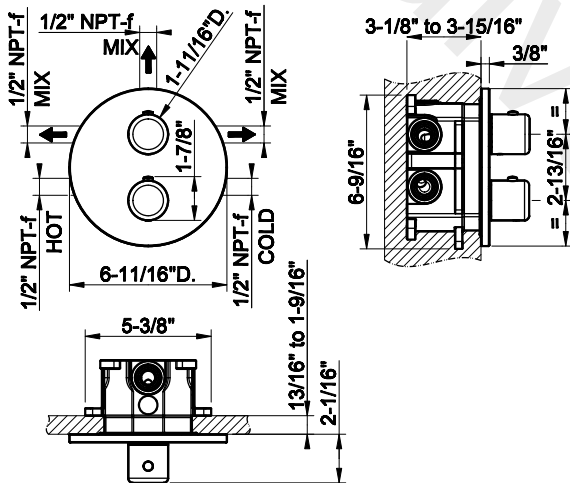
# 33846 GOCCIA

# GESSI®

External parts for thermostatic mixer with 1/2" connections, filters and 1/2" three-way diverter with ceramic discs.

## Technical features

- Single backplate
- 1/2" connections
- Vertical/Horizontal application
- Anti-scalding
- Requires in-wall rough valve 09279



## Certifications

The official approvals of this item in standard Gessi version are  
(For additional approvals contact Gessi S.p.A.):

- Certified to ASME A112.18.1/CSA B125.1

## Available Finishes

	<b>031</b> Chrome		<b>279</b> White CN
	<b>147</b> Brushed chrome		<b>299</b> Black XL

## Technical Prescription

- Working maximum pressure value 5 bar - in case of higher pressure, to use a pressure reducer
- Working pressure for an optimal installation: 3 bar
- Working water temperature not be higher than 70°C.
- In order to guarantee a long duration of the product and its total functionality install filter
- Test watertight and cleaning of the pipes before installing the tap.

## Indications for the cleaning

Clean only with a microfiber cloth and soapy water and dry properly the item. Detergents, solvents, chemical agents, abrasive sponges, wire wool, alcohol, etc. should not be used as these could irreparably damage product surfaces compromising its aesthetics and brightness.

## Accessories and Fittings

For additional matching bathroom accessories and fittings available, see official Gessi price list.