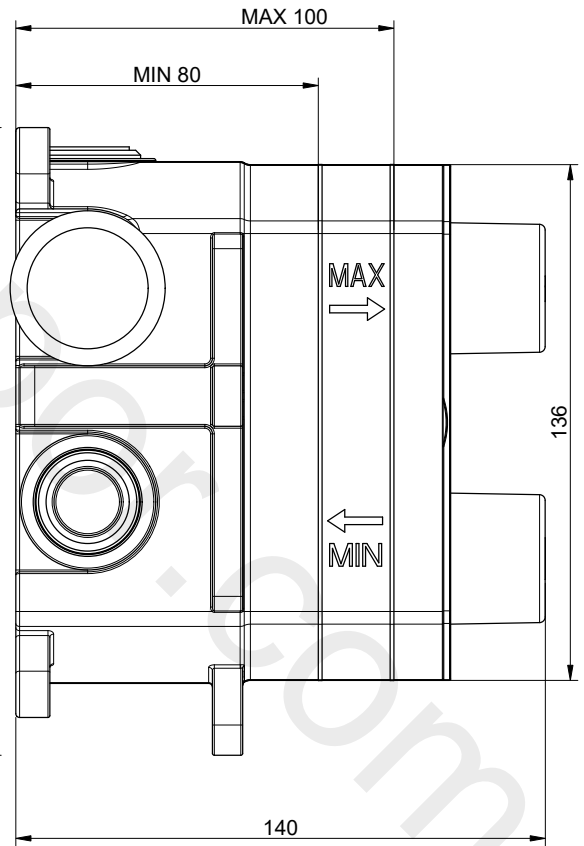
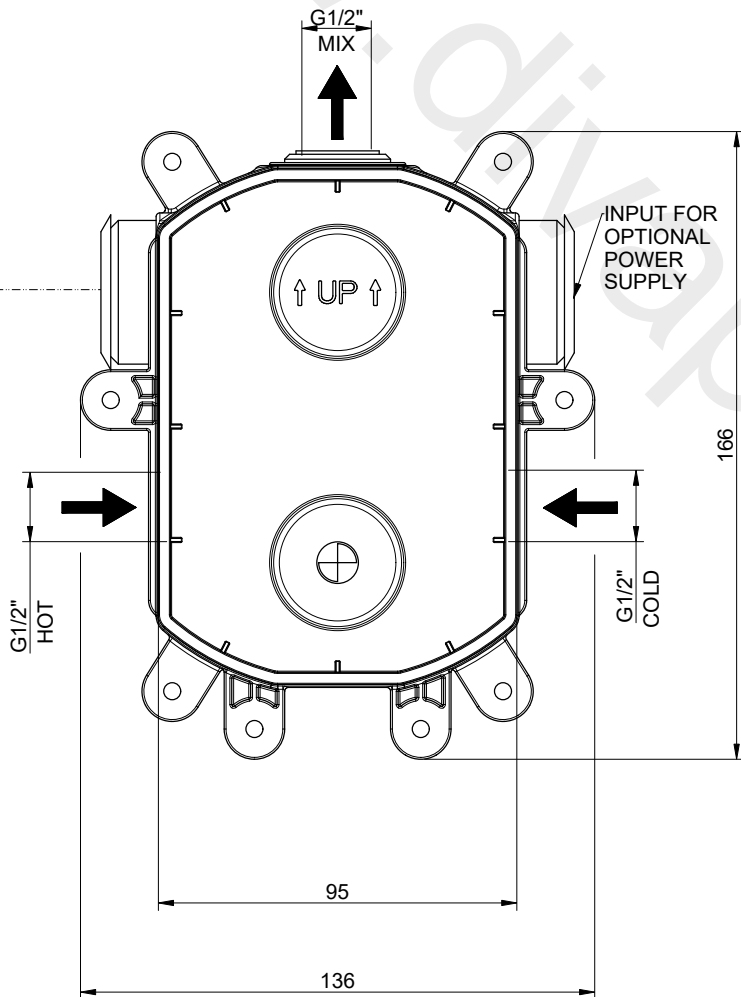
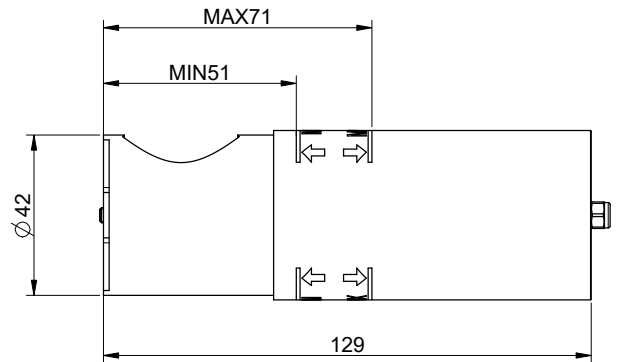
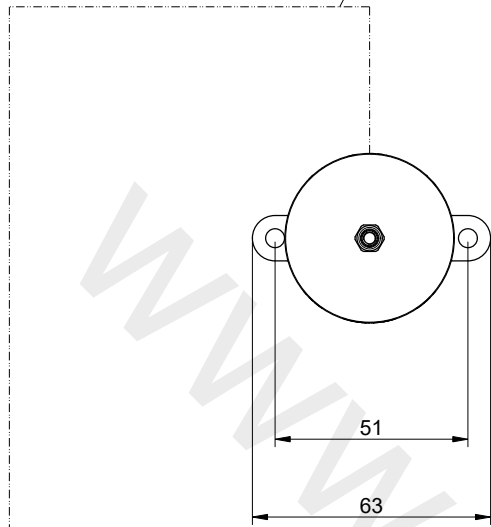


FLEXIBLE ELECTRICAL CONDUIT LMAX=1500MM



**GESSI**

**PARTI INCASSO 44679**

Formato **A4**



PARTE INCASSO PER COMANDI REMOTI E BOCHE DA PARETE

Dis.: GPF446790000G000

Gessi S.p.A. Parco Gessi, 13037 Serravalle Sesia (Vercelli) Italy Tel. 0039 0163 454111 Fax. 0039 0163 453150 www.gessi.com e-mail: gessi@gessi.it

This drawing by its legislation cannot be disclosed or reproduced without a written authorization released by GESSI S.p.A. - 2019 Copyright® GESSI S.p.A.