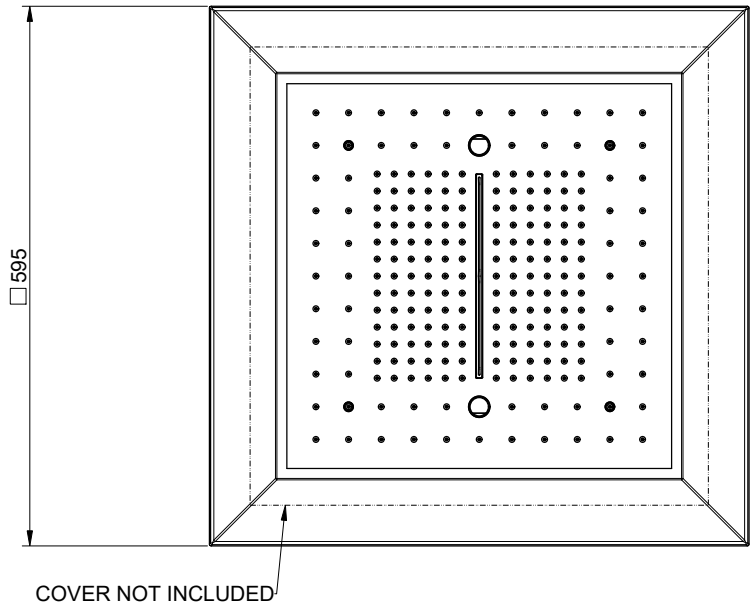


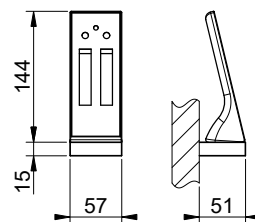
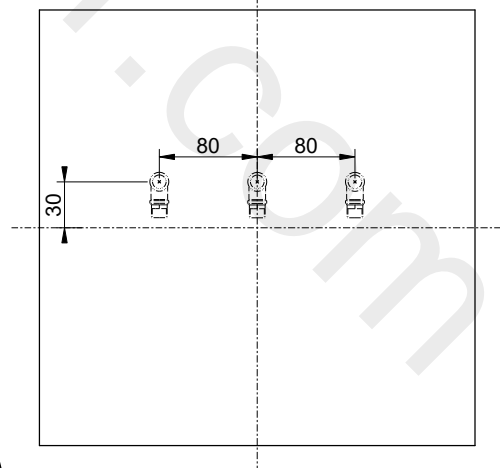
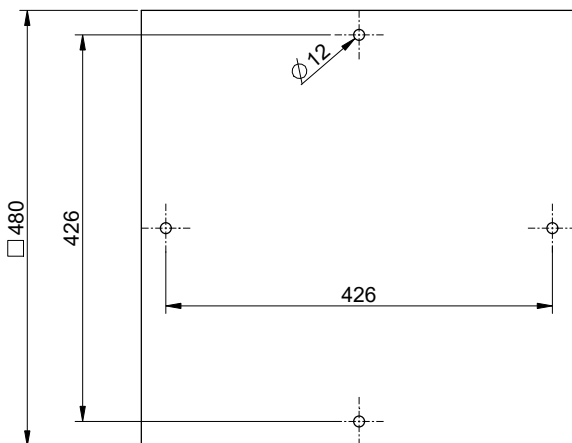
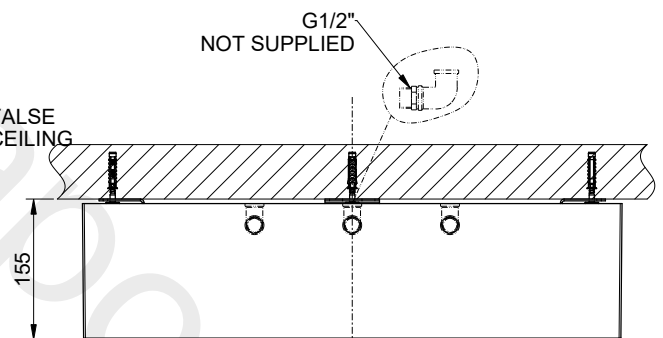
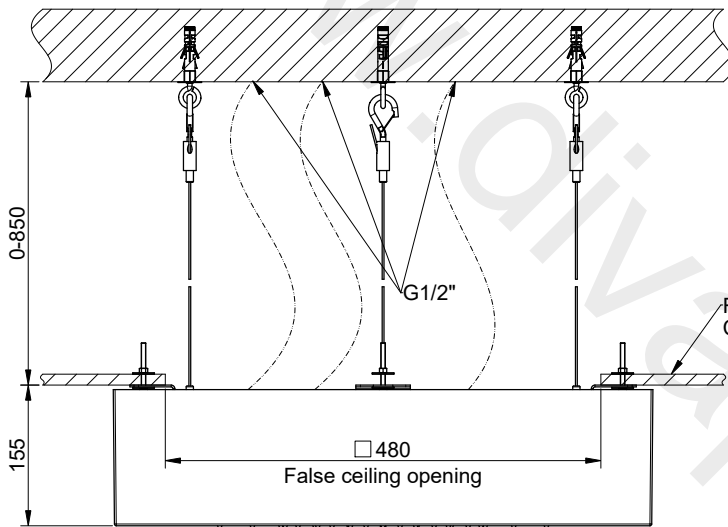


12V DC



INSTALLATION MODE 1

INSTALLATION MODE 2



GESSI

AFILE 57511

SOFFIONE 500X500 ESTERNO MULTIFUNZIONE COLOUR

Formato **A4**



Dis.: GPF5751100000G000

Gessi S.p.A. Parco Gessi, 13037 Serravalle Sesia (Vercelli) Italy Tel. 0039 0163 454111 Fax. 0039 0163 453150 www.gessi.com e-mail: gessi@gessi.it

This drawing by its legislation cannot be disclosed or reproduced without a written authorization released by GESSI S.p.A. - 2017 Copyright® GESSI S.p.A.