

GESSI®

63079

GPF630790G001G000

data di validità/validity date
≥ 7/2020



MIXER

Parti esterne per miscelatore monocomando a due funzioni indipendenti, con pulsanti on-off.
External parts for single-lever mixer for two separate functions, with push-button on/off controls.

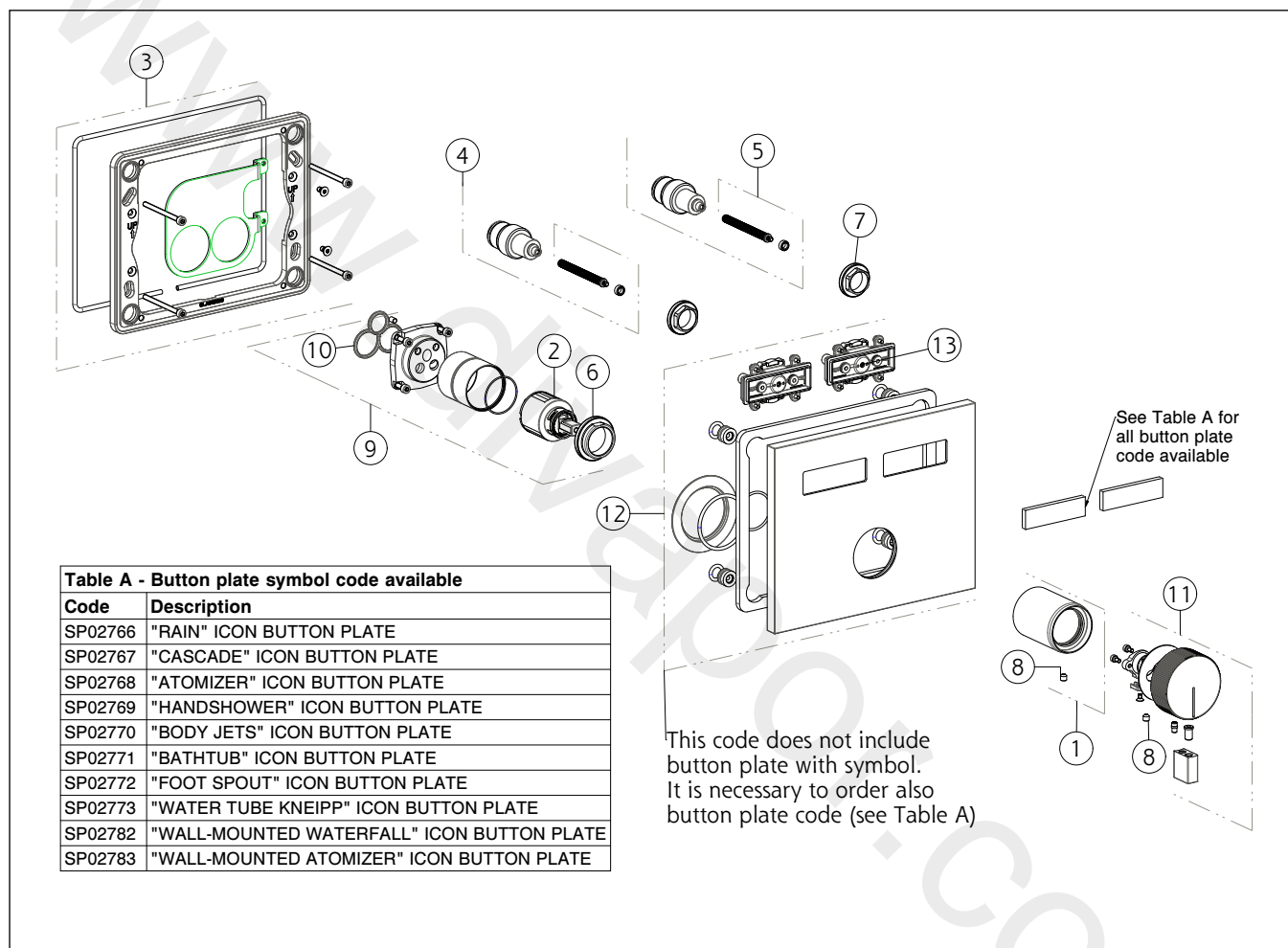


Table A - Button plate symbol code available

Code	Description
SP02766	"RAIN" ICON BUTTON PLATE
SP02767	"CASCADE" ICON BUTTON PLATE
SP02768	"ATOMIZER" ICON BUTTON PLATE
SP02769	"HANDSHOWER" ICON BUTTON PLATE
SP02770	"BODY JETS" ICON BUTTON PLATE
SP02771	"BATHTUB" ICON BUTTON PLATE
SP02772	"FOOT SPOUT" ICON BUTTON PLATE
SP02773	"WATER TUBE KNEIPP" ICON BUTTON PLATE
SP02782	"WALL-MOUNTED WATERFALL" ICON BUTTON PLATE
SP02783	"WALL-MOUNTED ATOMIZER" ICON BUTTON PLATE

N°	Code	Descrizione	Description
1	SP02897	BOCCOLA IN FINITURA	FINISHING BUSHING
2	SP01605	CARTUCCIA	CARTRIDGE
3	SP02895	CONTROPIASTRA	SUB PLATE
4	SP02844	DEVIATORE A PULSANTE	PUSH-BUTTON DIVERTER
5	SP03364	DISTANZIALE	SPACER
6	SP00023	GHIERA SERRAGGIO CARTUCCIA	FIXING RING NUT
7	SP02845	GHIERA SERRAGGIO CARTUCCIA	FIXING RING NUT
8	SP00610	GRANO	SCREW
9	SP02899	GRUPPO CARTUCCIA	CARTRIDGE GROUP
10	SP00506	GUARNIZIONE	GASKET
11	SP02898	MANIGLIA	HANDLE
12	SP02900	PIASTRA IN FINITURA	FINISHING PLATE

N°	Code	Descrizione	Description
13	SP02850	PULSANTE	PUSH BUTTON