

GESSI®

63081

GPF630810G001G000

data di validità/validity date
≥ 8/2020



MIXER

Parti esterne per miscelatore monocomando a tre funzioni indipendenti, con pulsanti on-off.
External parts for single-lever mixer for three separate functions, with push-button on/off controls.

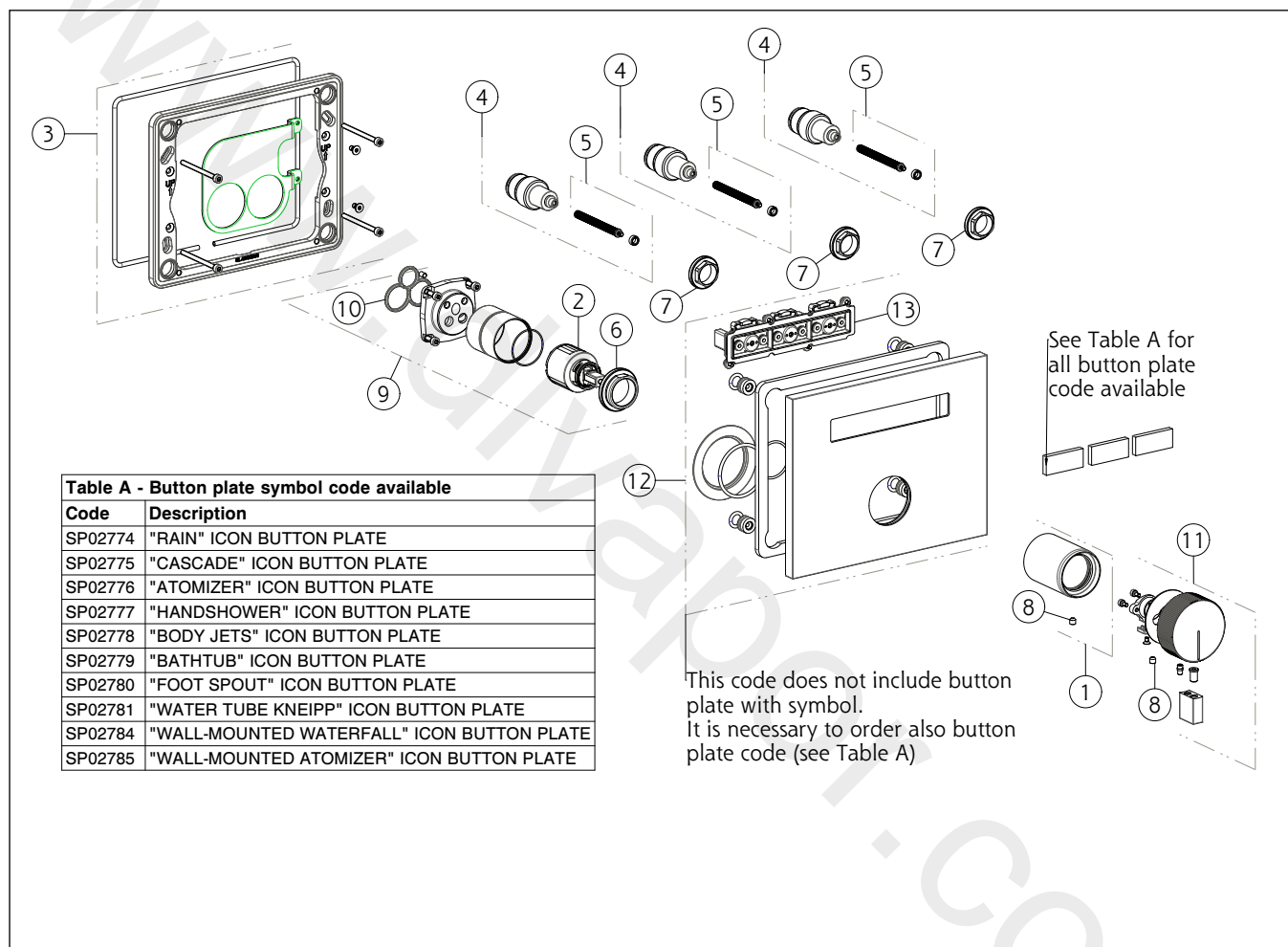


Table A - Button plate symbol code available

Code	Description
SP02774	"RAIN" ICON BUTTON PLATE
SP02775	"CASCADE" ICON BUTTON PLATE
SP02776	"ATOMIZER" ICON BUTTON PLATE
SP02777	"HANDSHOWER" ICON BUTTON PLATE
SP02778	"BODY JETS" ICON BUTTON PLATE
SP02779	"BATHTUB" ICON BUTTON PLATE
SP02780	"FOOT SPOUT" ICON BUTTON PLATE
SP02781	"WATER TUBE KNEIPP" ICON BUTTON PLATE
SP02784	"WALL-MOUNTED WATERFALL" ICON BUTTON PLATE
SP02785	"WALL-MOUNTED ATOMIZER" ICON BUTTON PLATE

N°	Code	Descrizione	Description
1	SP02897	BOCCOLA IN FINITURA	FINISHING BUSHING
2	SP01605	CARTUCCIA	CARTRIDGE
3	SP02895	CONTROPIASTRA	SUB PLATE
4	SP02844	DEVIATORE A PULSANTE	PUSH-BUTTON DIVERTER
5	SP03364	DISTANZIALE	SPACER
6	SP00023	GHIERA SERRAGGIO CARTUCCIA	FIXING RING NUT
7	SP02845	GHIERA SERRAGGIO CARTUCCIA	FIXING RING NUT
8	SP00610	GRANO	SCREW
9	SP02899	GRUPPO CARTUCCIA	CARTRIDGE GROUP
10	SP00506	GUARNIZIONE	GASKET
11	SP02898	MANIGLIA	HANDLE
12	SP02901	PIASTRA IN FINITURA	FINISHING PLATE

N°	Code	Descrizione	Description
13	SP02862	PULSANTE	PUSH BUTTON