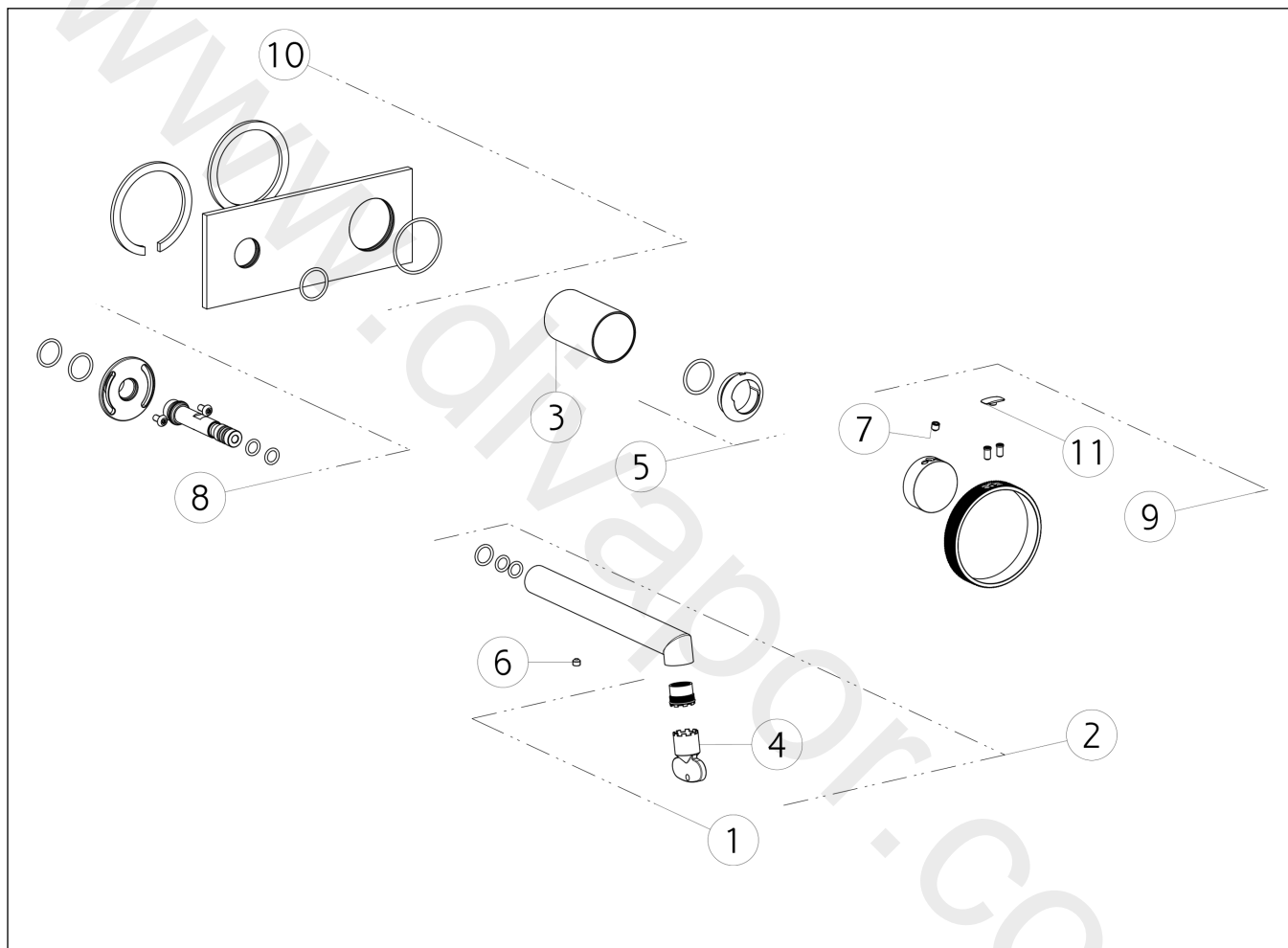


GISSI®**63388**

GPF633880G001G000

data di validità/validity date
≥ 3/2021**ANELLO**

Parte esterna Miscelatore Lavabo a parete bocca corta senza scarico
 External parts for wall-mounted basin mixer, short spout, without waste



| N° | Code | Descrizione | Description |
|----|---------|---------------------|--------------------|
| 1 | SP01608 | AERATORE | AERATOR |
| 2 | SP03315 | BOCCA COMPLETA | COMPLETE SPOUT |
| 3 | SP03269 | BOCCOLA IN FINITURA | FINISHING BUSHING |
| 4 | SP00504 | CHIAVE | SPECIAL TOOL |
| 5 | SP03266 | COPRIGHIERA | FINISHING RING NUT |
| 6 | SP00137 | GRANO | SCREW |
| 7 | SP00610 | GRANO | SCREW |
| 8 | SP03272 | INNESTO | JOINT |
| 9 | SP03164 | MANIGLIA | HANDLE |
| 10 | SP03270 | PIASTRA IN FINITURA | FINISHING PLATE |
| 11 | SP03180 | TAPPINO COPRI GRANO | SCREW COVER |