

BLADE DECK MOUNTED BATH FILLER



ILLUSTRATED

20007015830 BLADE DECK MOUNTED BATH FILLER

CONFIGURATION OPTIONS

MATERIAL

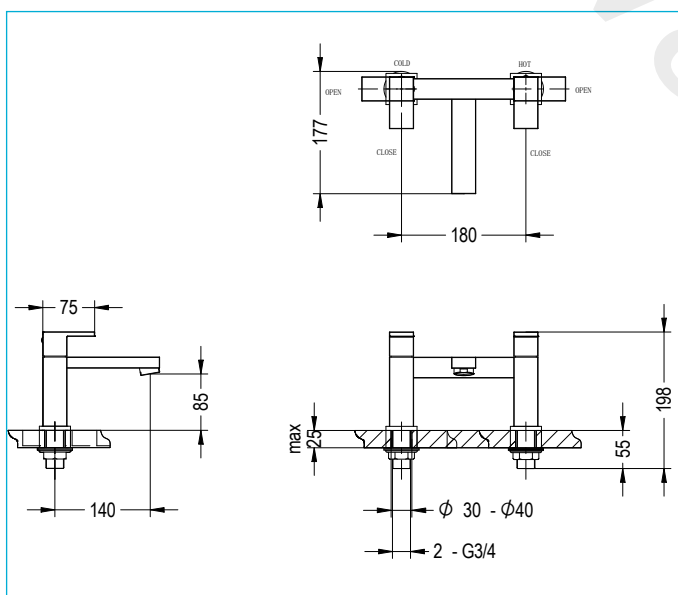
Brass
Zinc Alloy

STANDARDS

BS EN 200
BS EN 817

NET WEIGHTS

Bath filler 2.56kg



COLOURS AND FINISHES

Chrome plated

SPECIAL NOTES

FEATURES

Contemporary style

Flow Rate (litres per minute)	0.2 bar	0.5 bar	1 bar	2 bar	3 bar
Bath spout	7.6	9.5	14.2	21.5	27.7

For further details:

Go online at bathstore.com

bathstore.com Ltd. Makes every effort to ensure that the information provided on its website is accurate. However, we cannot guarantee this, and accept no liability for any information given via its website.