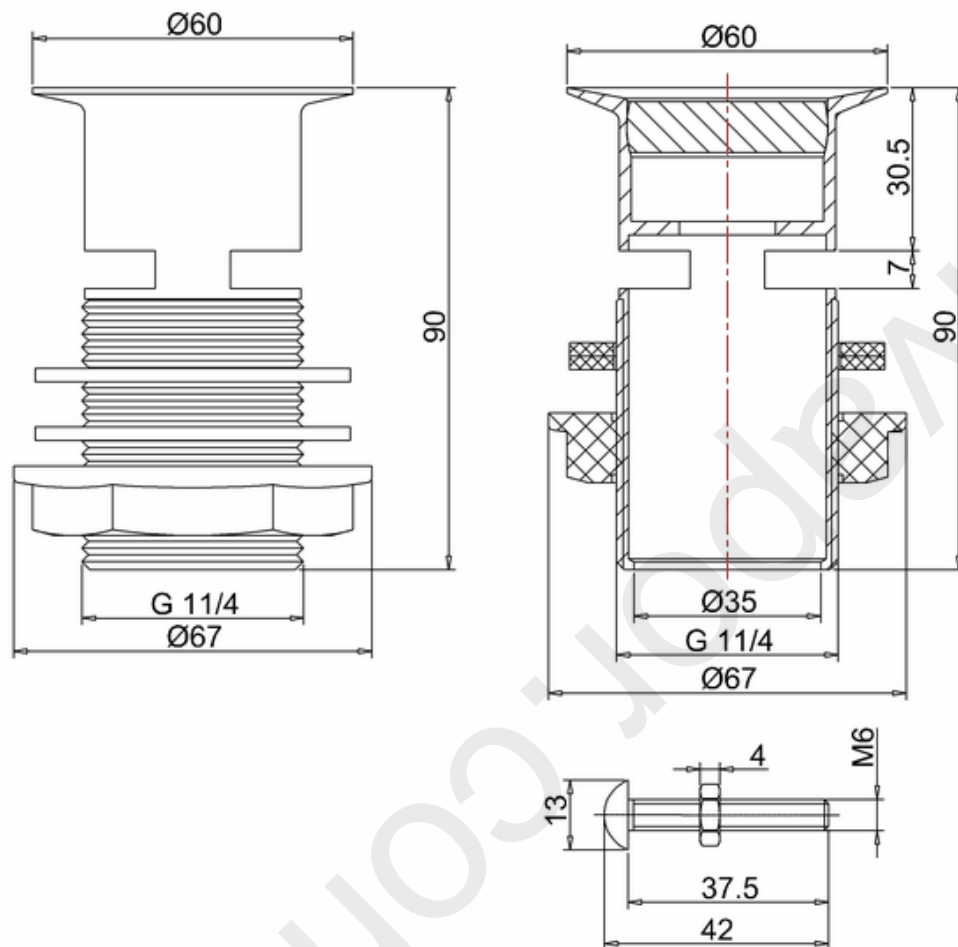


MBFW110N - FLOW BASIN MONOBLOC
With No Pop-up Waste Deck Mounted

20003000018 - Flip Top Basin Waste (slotted)



Note:

For each part of the accessory, the dimension tolerance should be followed the list below.

0 - 100	101 - 200	201 - 400	≥ 401
± 1	± 2	± 3	± 5

For the finished assembly, the dimension tolerance should be followed the list below.

0 - 300	≥ 301
± 2	± 5