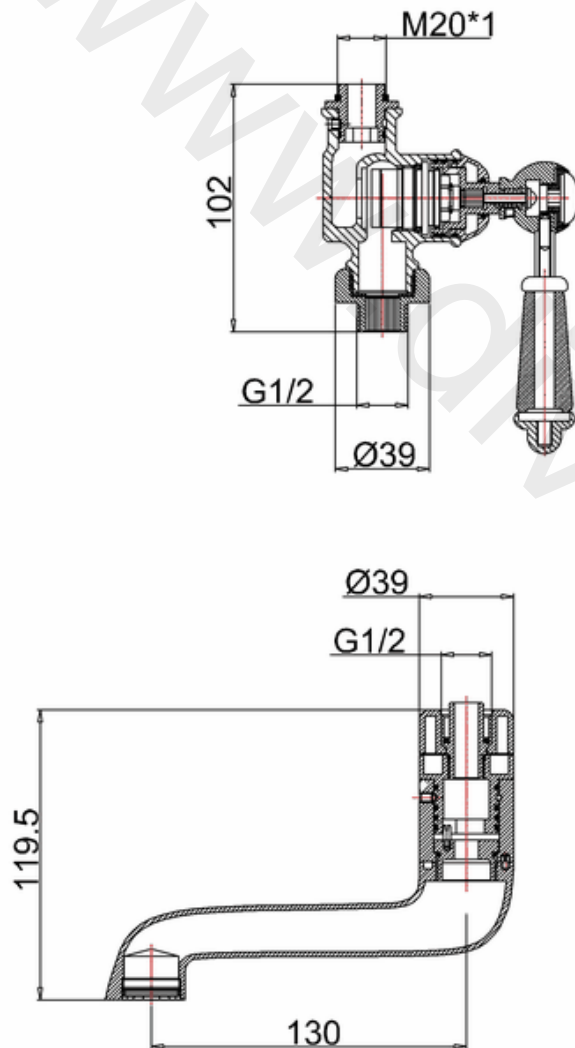


## 20007013200 - Grand Bottom shut off valve and bath spout chrome



**Note:**

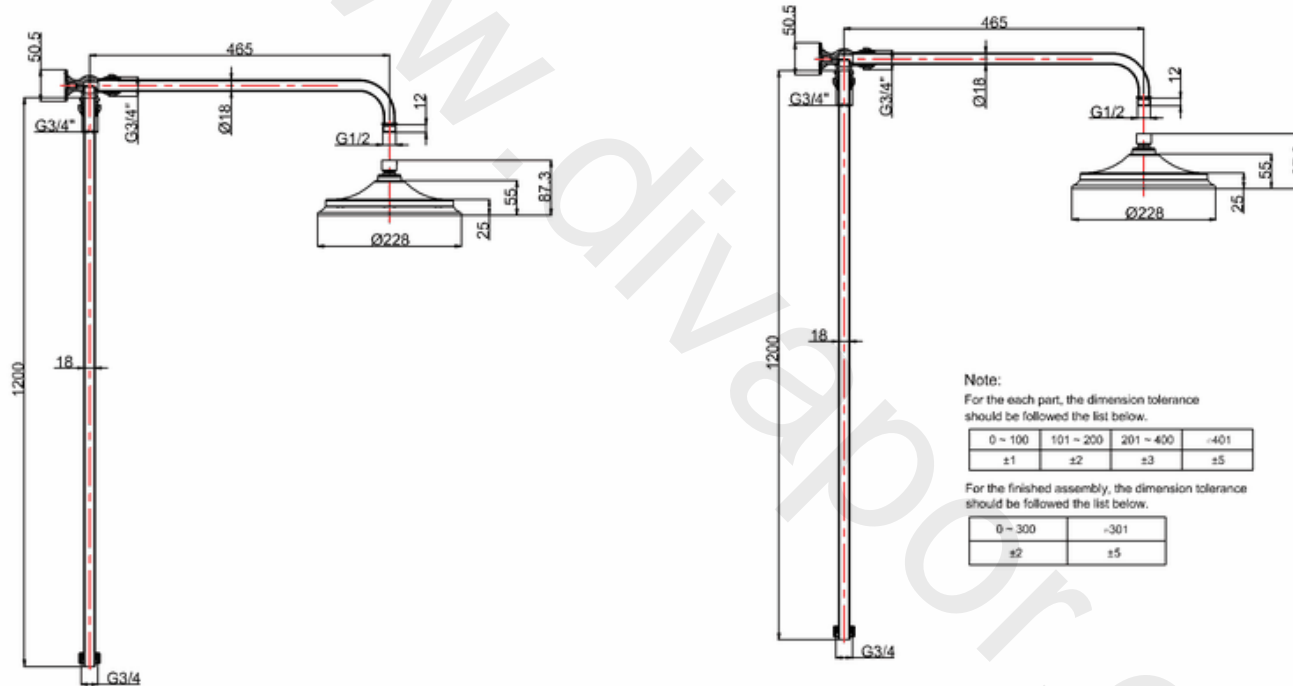
For the each part, the dimension tolerance should be followed the list below.

0 ~ 100	101 ~ 200	201 ~ 400	e401
±1	±2	±3	±5

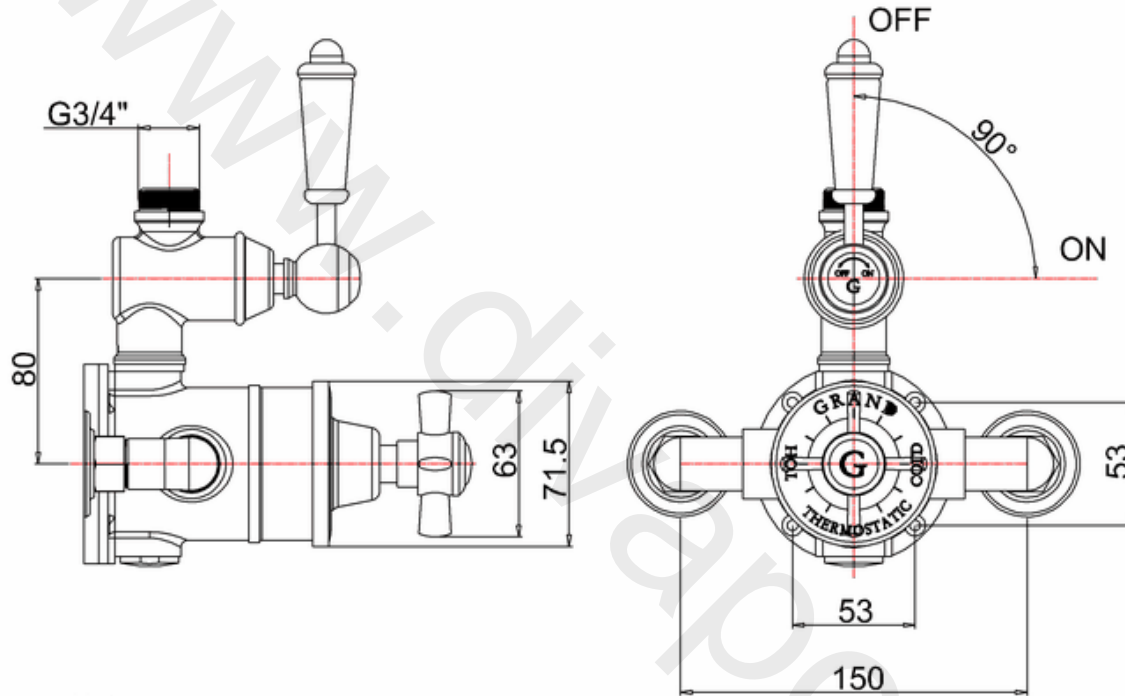
For the finished assembly, the dimension tolerance should be followed the list below.

0 ~ 300	e301
±2	±5

## 20007013190 - Grand fixed riser ,horizontal arm & Watercam traditional head



## 20007013180 - Grand Thermo Exposed Valve with on off control at the top



**Note:**

For the each part, the dimension tolerance should be followed the list below.

0 ~ 100	101 ~ 200	201 ~ 400	e401
±1	±2	±3	±5

For the finished assembly, the dimension tolerance should be followed the list below.

0 ~ 300	e301
±2	±5