

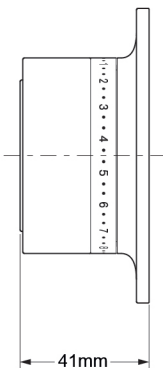
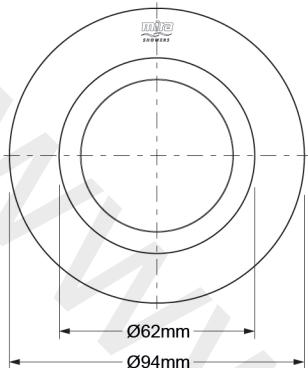
Mira Mode Single Shower Rear Fed



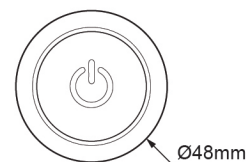
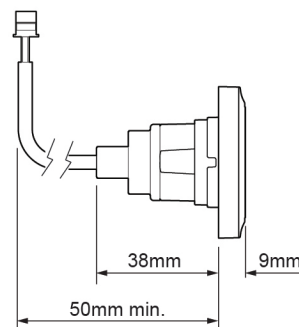
Rear Fed - High Pressure/Combi Boiler - 1.1874.003

Rear Fed - Pumped For Gravity - 1.1874.004

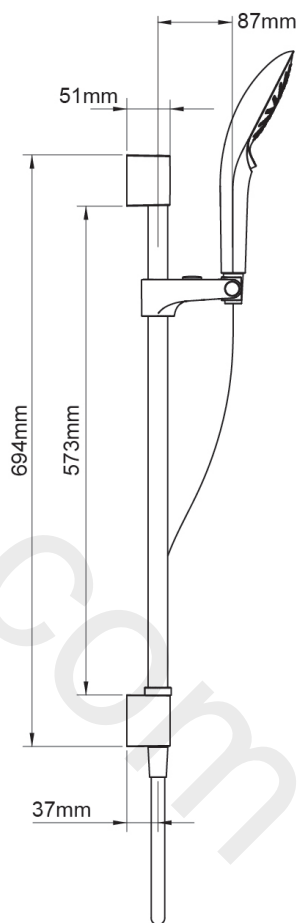
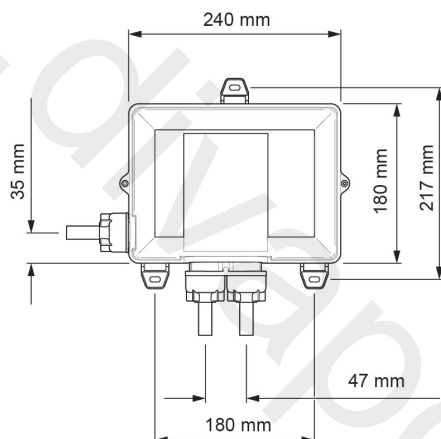
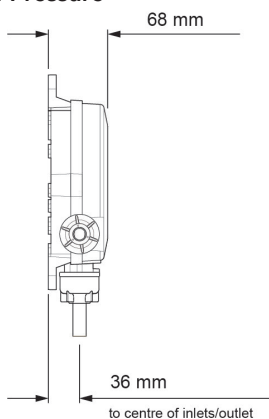
Digital Controller



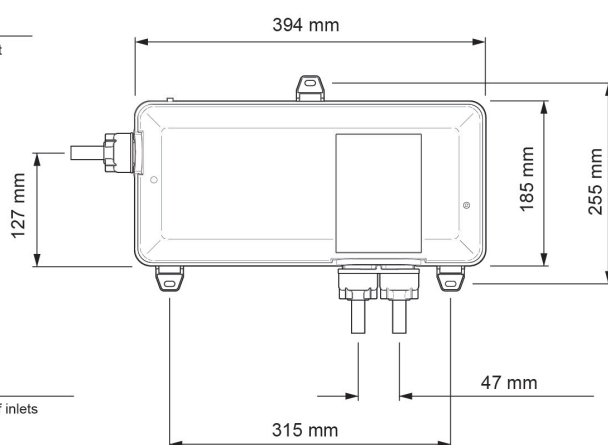
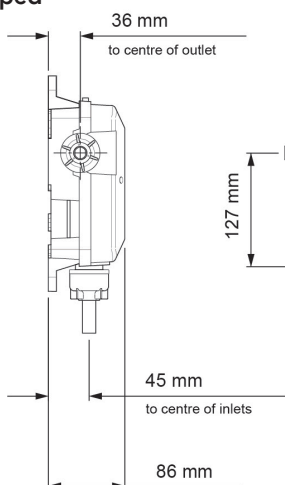
Remote Start/Stop



High Pressure



Pumped



To download other resources, and for more information and advice on our products just visit:
www.mirashowers.co.uk