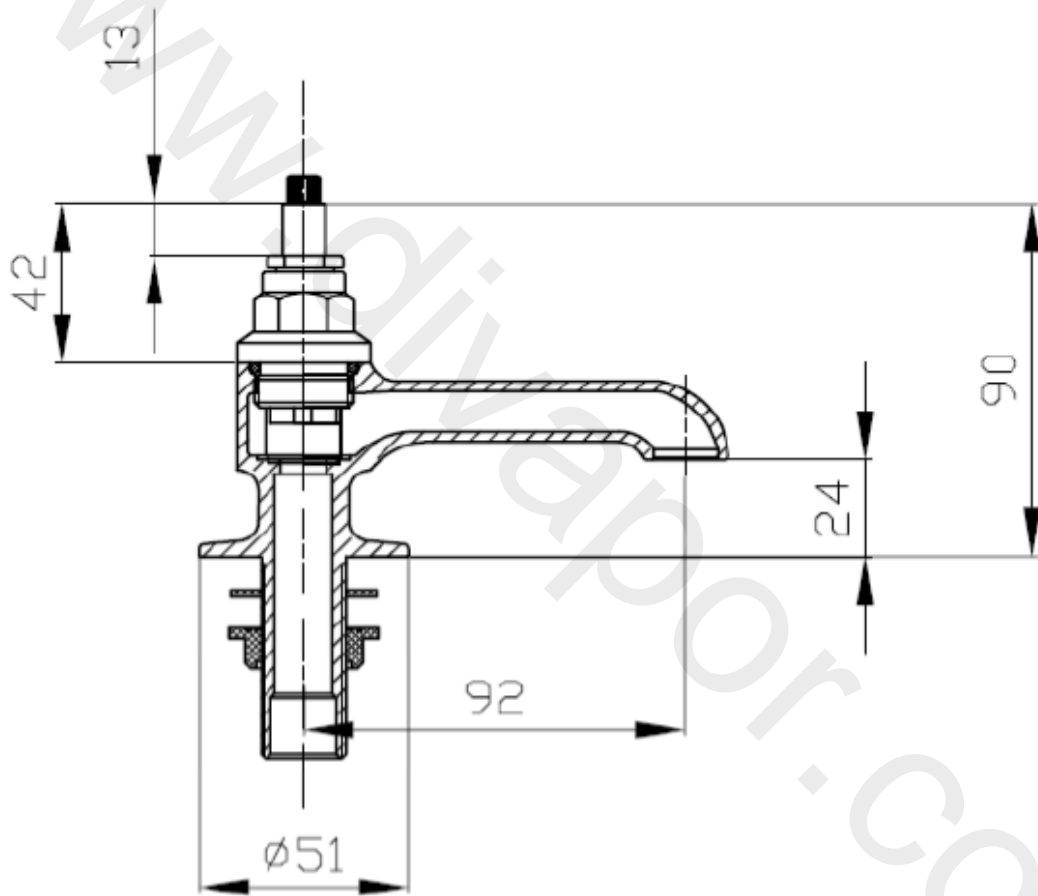
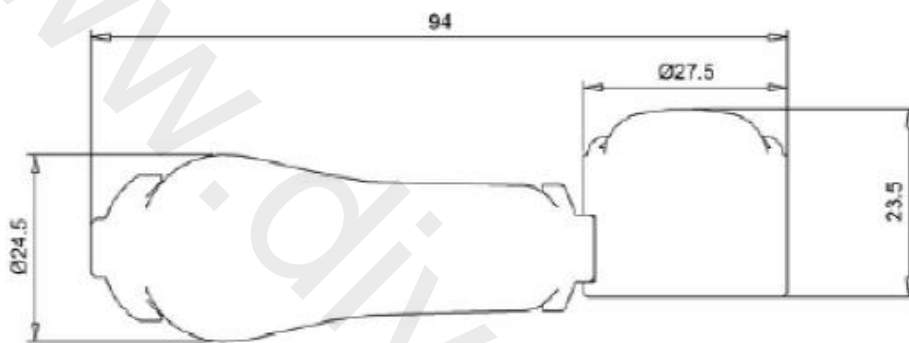




**bath
store**

**BENSHAM LONG NOSE BASIN TAPS
CHROME LEVER KIT**





Note:

For the each part, the dimension tolerance should be followed the list below.

| | | | |
|---------|-----------|-----------|---------|
| 0 - 100 | 101 - 200 | 201 - 400 | >401 |
| ± 1 | ± 2 | ± 3 | ± 5 |

For the finished assembly, the dimension tolerance should be followed the list below.

| | |
|---------|---------|
| 0 - 300 | >301 |
| ± 2 | ± 5 |