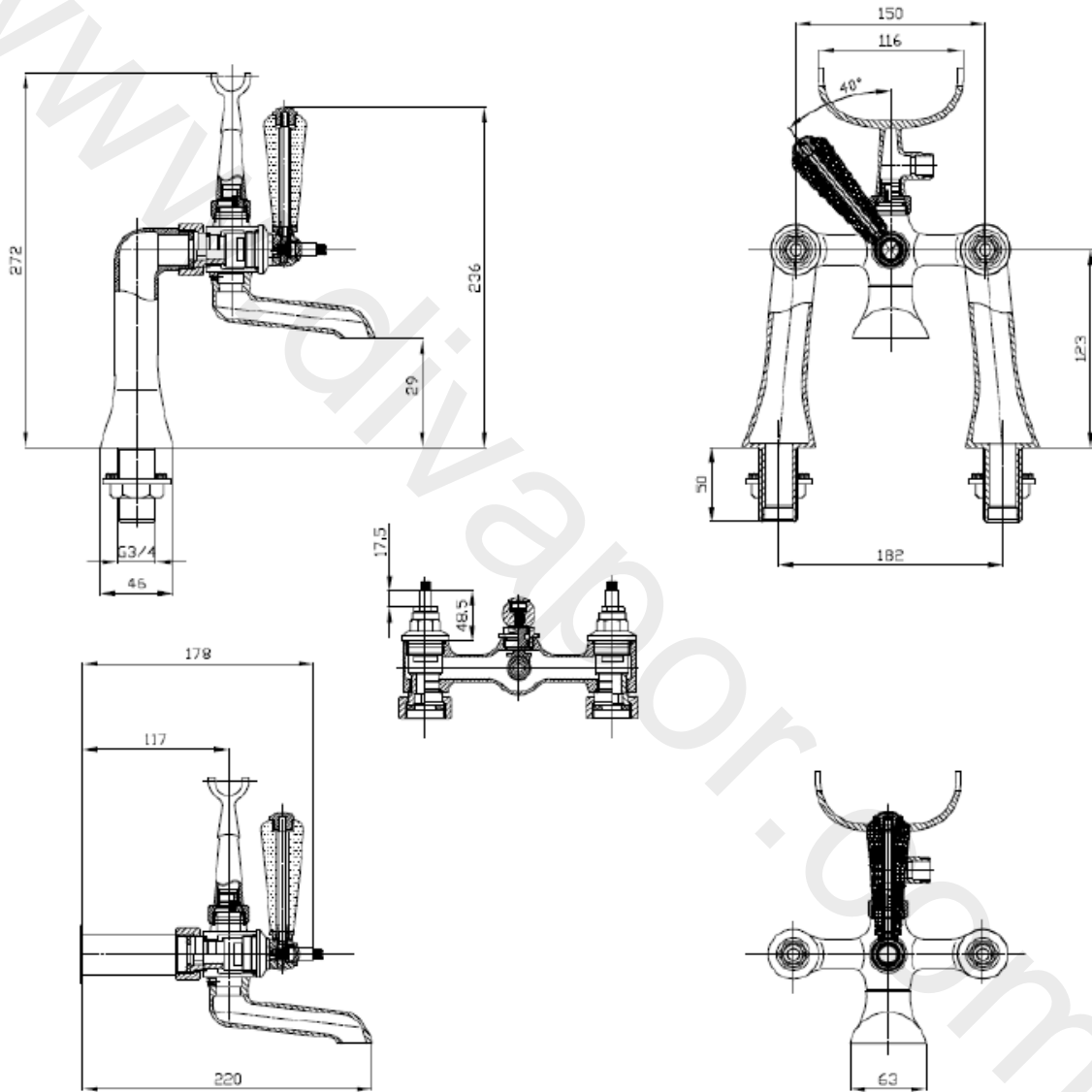
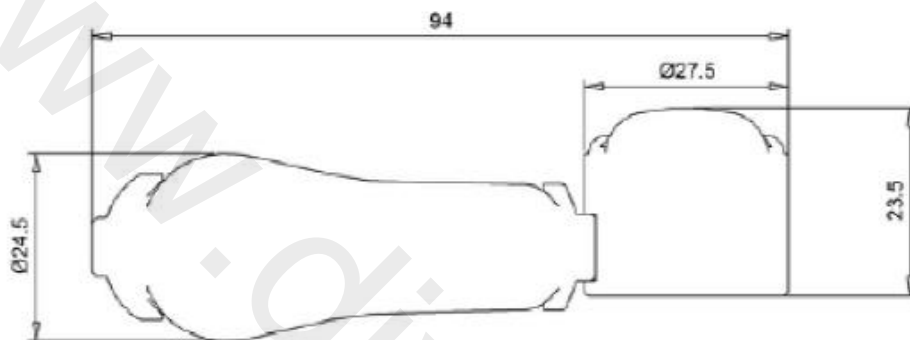




**bath  
store**

## BENSHAM BATH SHOWER MIXER CHROME LEVER KIT





**Note:**

For the each part, the dimension tolerance should be followed the list below.

0 - 100	101 - 200	201 - 400	$\geq 401$
$\pm 1$	$\pm 2$	$\pm 3$	$\pm 5$

For the finished assembly, the dimension tolerance should be followed the list below.

0 - 300	$\geq 301$
$\pm 2$	$\pm 5$