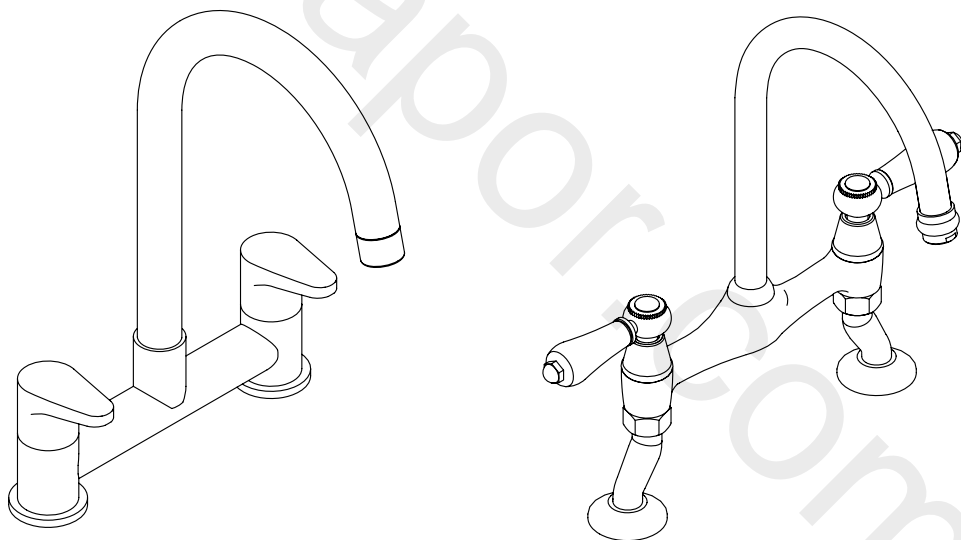


nabis
fits perfectly

Deck / Bridge Kitchen Mixer

Instruction & Warranty Leaflet



Product code:

B08916 B08920

Tap head shown is for illustration purposes only.

Please keep this instructions for future reference and request of replacement parts.

Water Regulations Requirements

It is important to ensure that the water supplies to your taps and mixers are connected in accordance with the water regulations (WRAS) requirements and good plumbing practice.

It is Wolseley's recommendation and good plumbing practice that the supplies of hot and cold water to the products should be equal (balanced) pressures in order to provide a consistent flow. Supplies should be from a common source. Either mains or tank fed. If supplies are not equal pressures then non return valves should be fitted (not supplied). These products have been designed to function on all types of water of water systems.

Please note: if a pump is to be installed to boost gravity supplies please refer to the pump manufactures instructions.

The hot and cold inlets for any of the products are hot on the left and cold on the right when viewed from the front of the fitting. It is our recommendation and good plumbing practice that a service valve also should be installed up stream in the inlet supply lines.

Pipe Connections

IMPORTANT. Before making any inlet pipe connections all supplies MUST be thoroughly flushed to remove any debris.

Failure to do so could result in damage or low flow from the fitting.

It is a requirement of Byelaw 55 of the Water Fittings Byelaw Scheme that this function is undertaken before making any pipe connections to supplies.

General Installation Notes

- Care must be taken during installation to prevent any risk of damage to the product or injury to installer.
- Installation must be carried out by a qualified and competent person and in accordance with the instructions supplied.
- Installations must comply with all Local and National Water Authority Regulations and Building/Plumbing Regulations.
- Ensure that you have read and understood all sections of this manual before installation.

Water Supply Pressures

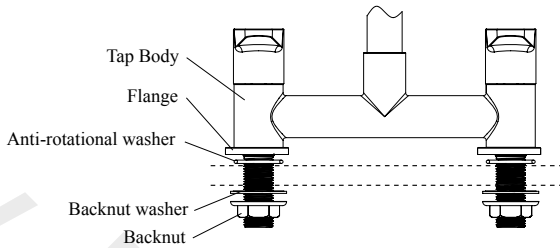
All fittings have been designed to function under the following conditions:

- Minimum supply pressure: 0.2 bar
- Maximum supply pressure: 5.0 bar

Generous flow rates are achieved at pressures as low as 0.2bar. At high pressures it maybe necessary to reduce excessive flow rates by fitting stop or servicing valves in the supply line before the mixer or tap. These stop valves facilitate ease of maintenance should it be necessary.

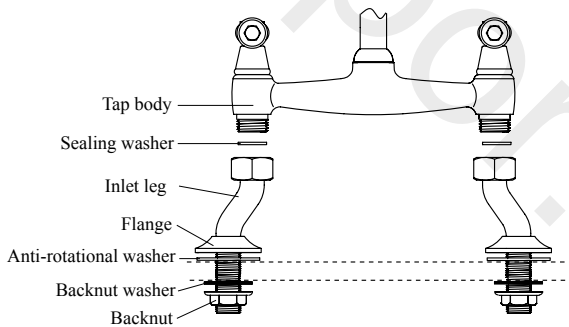
Installation

Deck sink mixer



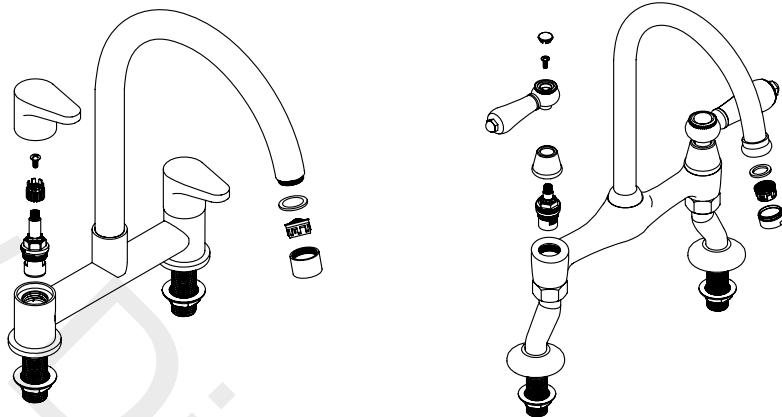
1. Identify all components and check for completeness, particularly before commencing installation.
2. Remove Backnut and Backnut washer from tap tails.
3. Fit tap body through holes in the sink ensuring that the anti-rotational washers are fitted between the Flange and sink.
4. Secure the tap body to the bath by using the washer and backnut below the sink. Tighten the backnut onto the threaded tails.
A suitable spanner may be required to fully tighten the backnut.
5. Connect the hot and cold water supplies to the threaded tails using 1/2" connector (not supplied).
6. Turn on the mains water supply letting the water flow for a few minutes to flush through the system.

Traditional deck sink mixer



1. Identify all components and check for completeness, particularly before commencing installation.
2. Fit the inlet legs to the tap body using the sealing washers.
3. Fit the flange and anti-rotational washers to the inlet leg.
4. Install the fitting into the sink ensuring that the anti-rotational washers are fitted between the Flange and sink.
5. Secure the tap body to the sink by using the washer and backnut below the sink. Tighten the backnut onto the threaded tails.
A suitable spanner may be required to fully tighten the backnut.
6. Connect the hot and cold water supplies to the threaded tails using 1/2" connector (not supplied).
7. Turn on the mains water supply letting the water flow for a few minutes to flush through the system.

Component Diagram



Care & Maintenance

To maintain the surface finishes, simply wipe occasionally with a mild detergent on a soft damp cloth. Dry using a soft cloth, never use abrasive cleaners or chemical household cleaners, and avoid contact with concentrated bleach.

Nabis products are manufactured to the highest of standards and should require little or no maintenance. In the unlikely event of any spare part requirements, please contact our free phone helpline number.

Free Phone Helpline

Should you require any technical help in association with your Nabis products please call 0344 292 7062 with your query.

Warranty: 5 Years

For detail warranty information, please visit our website: plumbcenter.co.uk

Address:

Plumb & Parts
Wolseley Center
Harrison Way
Leamington Spa
CV313HH

Website:
Plumbcenter.co.uk

