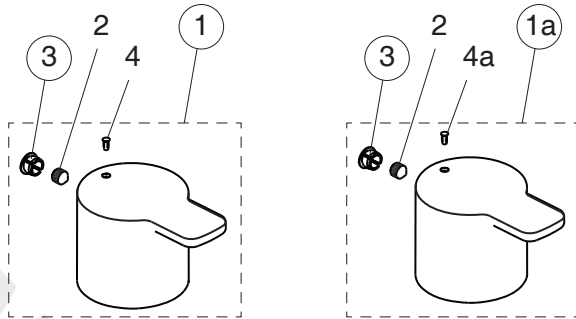
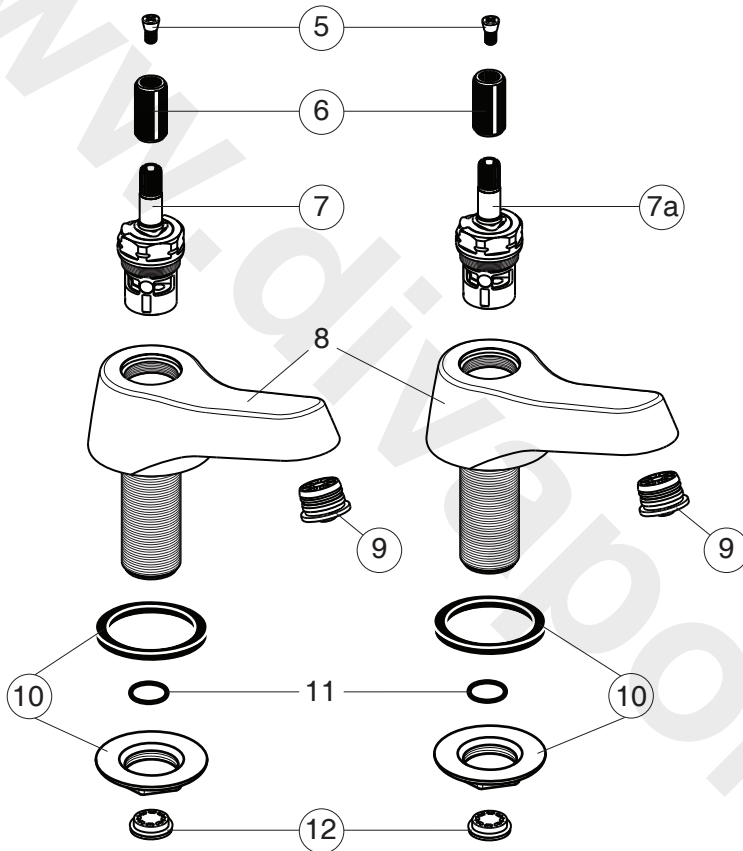
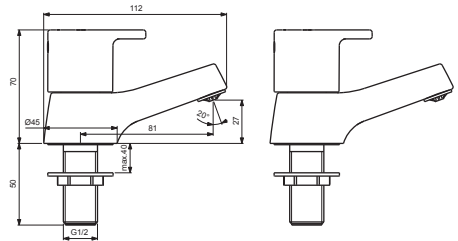


# SANDRINGHAM 21

*Armitage  
Shanks*



**B3304AA**



Pos.	Signify	Spare parts-Nr.	Quantity	Pos.	Signify	Spare parts-Nr.	Quantity
1	Handle,w/logo-red	B961412AA	1 Set	12+11	Flow regulator 4 l/min.	A962570NU	1 Pcs.
1a	Handle,w/logo-blue	B961411AA	1 Set				
2	Screw M5x6		2 Pcs.				
3	Block cap	A961157AA	1 Pcs.				
4	Indicator-red		1 Pcs.				
4a	Indicator-blue		1 Pcs.				
5	Screw M4	A961337NU	1 Pcs.				
6	Griff-insert	A963196NU	2 Pcs.				
7	Cartridge G1/2,c/w open	A963004NU	1 Pcs.				
7a	Cartridge G1/2,a-c/w open	A963003NU	1 Pcs.				
8	Body pillar tap G1/2		2 Pcs.				
9	Flow straightener	B960998NU	2 Pcs.				
10	Connecting group	B960480NU	1 Set				
11	O-Ring Ø12.1x1.6		2 Pcs.				